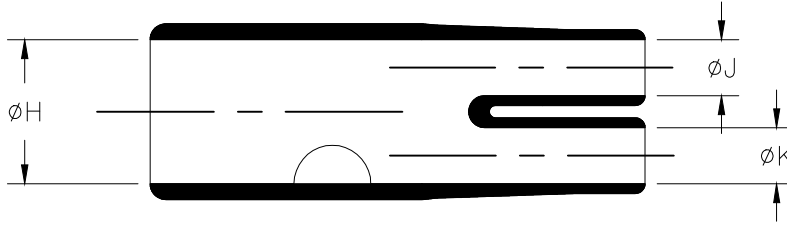
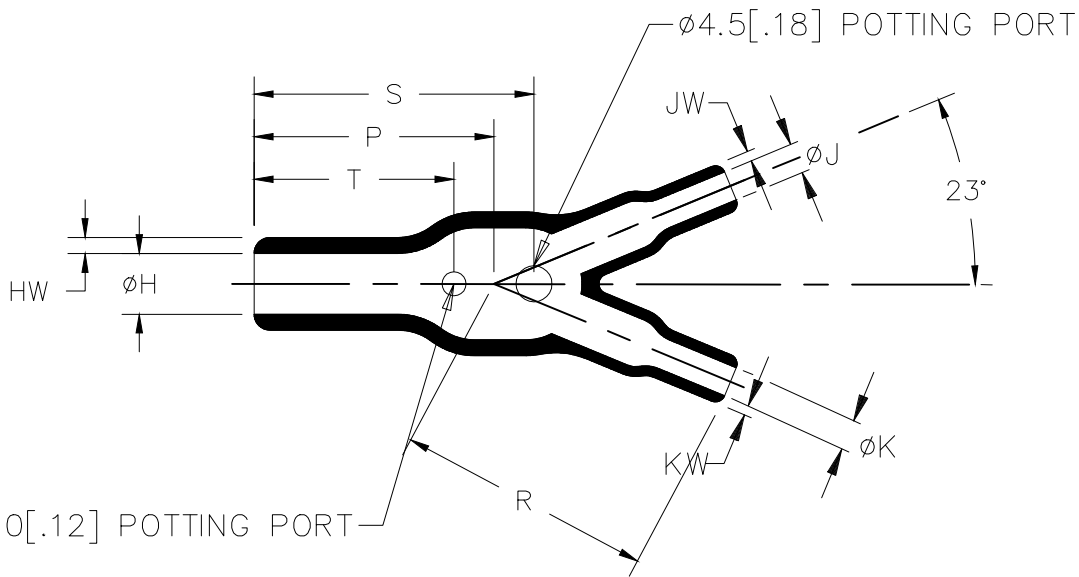


REVISIONS				
P	LTR	DESCRIPTION	DATE	APVD
	4	PRODUCTION ISSUE	01FEB2019	PNT MT

a) Part as supplied



b) Part after unrestricted recovery



DIMENSIONS in millimetres
[in inches, for reference]


Part No.	H		J		K		P	R	S	T	HW	JW	KW
	Min	Max	Min	Max	Min	Max	±10%	±10%	±10%	±10%	±20%	±20%	±20%
	a	b	a	b	a	b	b	b	b	b	b	b	b
382W042	20 [0.79]	8.0 [0.31]	9.0 [0.35]	4.0 [0.16]	9.0 [0.35]	4.0 [0.16]	30 [1.18]	32 [1.26]	35 [1.38]	25 [0.98]	2.0 [0.08]	1.25 [0.05]	1.25 [0.05]

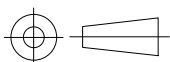
RELEASED FOR PUBLICATION

ALL RIGHTS RESERVED.

THIS DRAWING IS UNPUBLISHED.

© COPYRIGHT - TE Connectivity Ltd.

DIMENSIONS: mm [INCHES]	DWN PRAVEEN N T	01FEB2019	MATERIAL SEE SHEET 2	FINISH -
	CHK N NAGAR	01FEB2019	 TE Connectivity Ltd.	
TOLERANCES UNLESS OTHERWISE SPECIFIED:	APVD M TAYLOR	01FEB2019		
	0 PLC ± -	PRODUCT SPEC -	SIZE A4	CAGE CODE 00779
1 PLC ± -	APPLICATION SPEC -	RESTRICTED TO -	SCALE DNS	
2 PLC ± -	WEIGHT	SHEET 1 OF 2		REV 4
3 PLC ± -	CUSTOMER DRAWING			
4 PLC ± -				
ANGLES ± -				



REVISIONS				
P	LTR	DESCRIPTION	DATE	APVD
	-	SEE SHEET 1	-	-

COMPATIBILITY CHART

Material Dash Number	Material Description	RT Spec	Coating Slash No.	Coating S No.
-3	POLYOLEFIN, SEMI-RIGID	RT-301	/42,/86,/180	S1017;S1048;S1030
-4	POLYOLEFIN, FLEXIBLE	RT-1304	/42,/86,/180	S1017;S1048;S1030
-12	FLUOROELASTOMER, FLEXIBLE	RT-1312	N/A	N/A
-25	ELASTOMER, FLUID RESISTANT	RW-2070	/42,/86,/225	S1017;S1048;S1206
-100	POLYOLEFIN, SEMI-FLEXIBLE ZEROHAL	RW-2082	/86;/180	S1048;S1030

Ordering Information

382W042-XX/XX-0

Color designator
 Adhesive Slash Number (if required see compatibility chart)
 Material Dash Number (see compatibility chart)
 Base Part Number

NOTES

- 1) As supplied dimensions are for uncoated parts, when coating is added entry diameters will reduce by 1.5mm[.06] Max.
- 2) Potting Ports are optional, when specified by suffix "-00" they will be located as shown.

RELEASED FOR PUBLICATION

ALL RIGHTS RESERVED.

© COPYRIGHT - TE Connectivity Ltd.

DIMENSIONS: mm [INCHES]	DWN PRAVEEN N T	01FEB2019	MATERIAL SEE SHEET 2	FINISH -			
	CHK N NAGAR	01FEB2019	TE Connectivity Ltd.				
TOLERANCES UNLESS OTHERWISE SPECIFIED: 0 PLC ± - 1 PLC ± - 2 PLC ± - 3 PLC ± - 4 PLC ± - ANGLES ± -	APVD M TAYLOR	01FEB2019			NAME TRANSITION, Y		
	PRODUCT SPEC	-					
	APPLICATION SPEC	-	SIZE	CAGE CODE	DRAWING NO	RESTRICTED TO	
	WEIGHT	A4	00779	382W042-XX-0	-		
			CUSTOMER DRAWING		SCALE DNS	SHEET 2 OF 2	REV 4

X-ON Electronics

Largest Supplier of Electrical and Electronic Components

Click to view similar products for [Heat Shrink Cable Boots & End Caps](#) category:

Click to view products by [TE Connectivity](#) manufacturer:

Other Similar products are found below :

[577159N001](#) [645494-000](#) [CX4132-000](#) [687025-000](#) [705331-000](#) [718446-000](#) [725666N001](#) [729257-000](#) [F27131-000](#) [F85868-000](#) [770-003S106W2](#) [806542N001](#) [807507-000](#) [808059-000](#) [808362-000](#) [808618-000](#) [809125-000](#) [809130-000](#) [809218-000](#) [812014-000](#) [812047-000](#) [813166-000](#) [813767N002](#) [814741-000](#) [819117N001](#) [823026-000](#) [823070-000](#) [825002-000](#) [841189N001](#) [861471-000](#) [866647-000](#) [879515-000](#) [937577-000](#) [957073-000](#) [982033-2](#) [A77813-000](#) [R280576000](#) [D96192-000](#) [163549-000](#) [MTPSRBCL-C](#) [1954015-1](#) [200W531-3-0](#) [202A163-4-0-CS5067](#) [202A343-3-00-0](#) [202B221-13-0](#) [202B231-13-0](#) [202B563-25-07-0](#) [202C241-13-0](#) [202D121-4-01/86-0](#) [202D132-4-07/42-0](#)