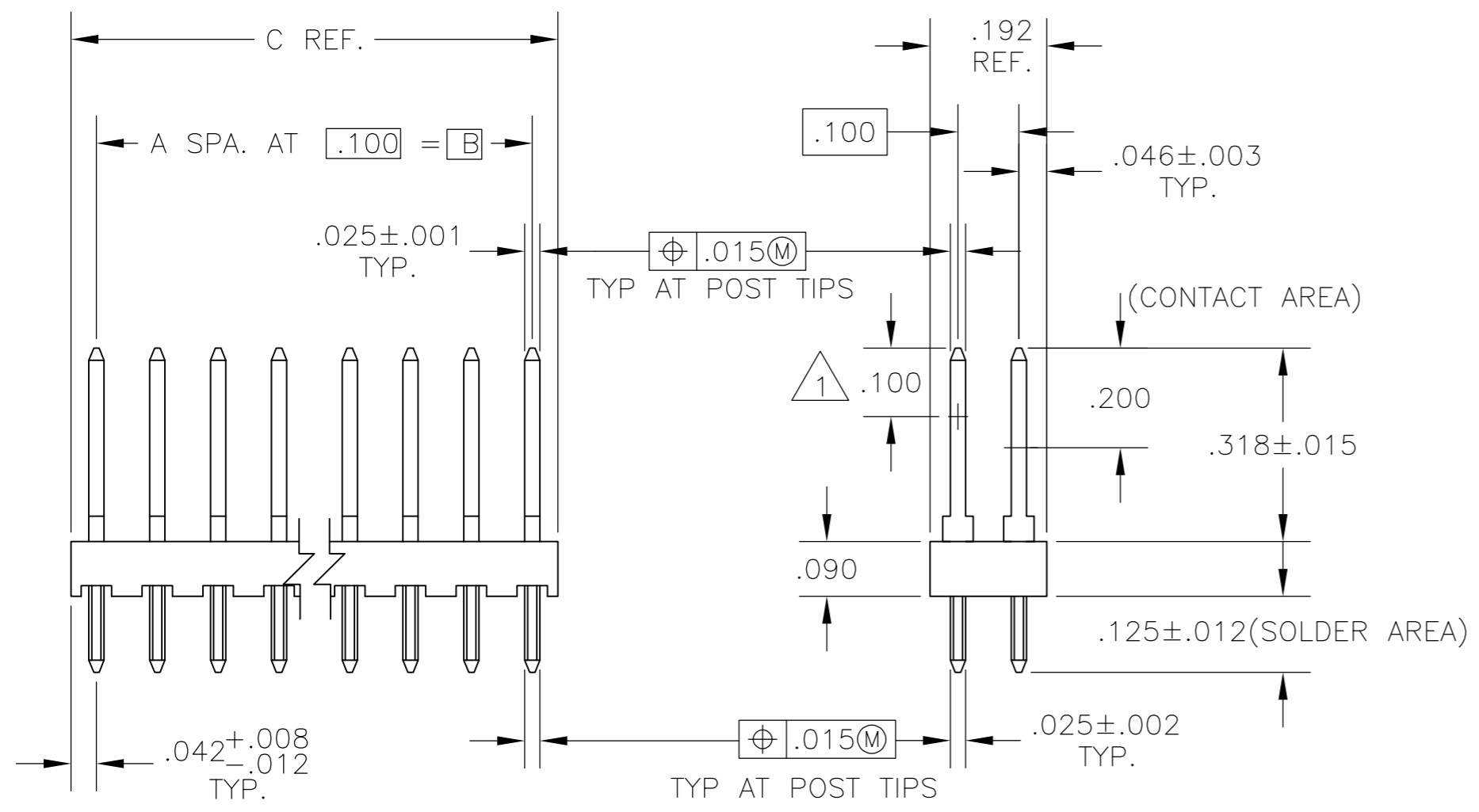
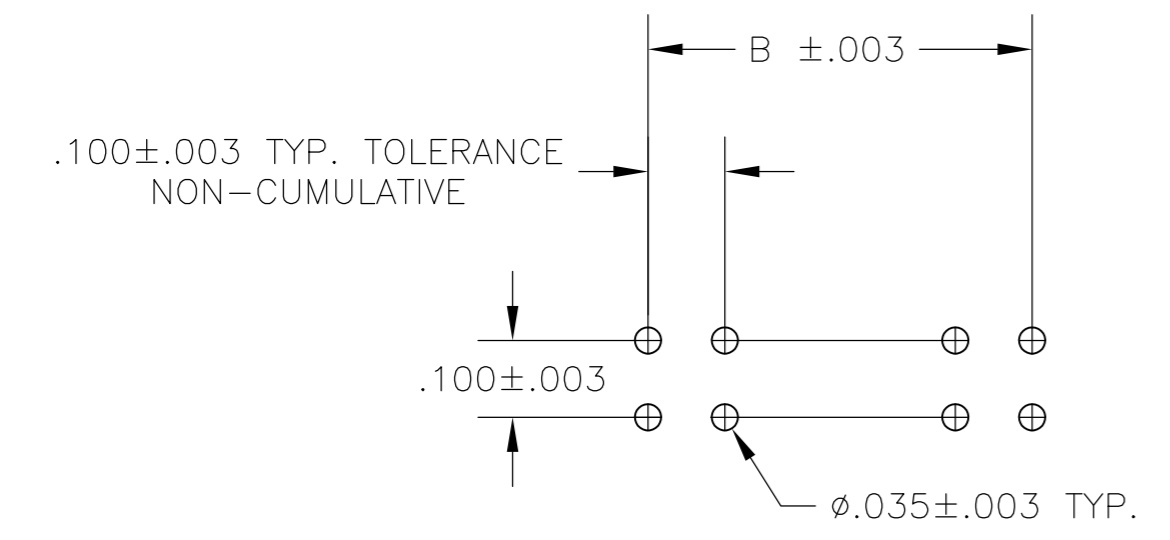


THIS DRAWING IS UNPUBLISHED. RELEASED FOR PUBLICATION
 © COPYRIGHT - By - ALL RIGHTS RESERVED.

LOC	DIST	REVISIONS					
AD	39	P	LTR	DESCRIPTION	DATE	DWN	APVD
		K		PLASTIC MATERIAL SUPPLIER CHANGED FOR HOUSING	07MAY2021	SB	KJK



- 1 POINT OF MEASUREMENT FOR PLATING THICKNESS
- 2 THE TRUE POSITION TOLERANCE OF THE POST TIPS APPLIES WHEN THE HEADERS HELD FLAT AGAINST THE PRINTED CIRCUIT BOARD



RECOMMENDED HOLE LAYOUT

SDDFSDF

3.984	3.900	39	80	4-87215-0
3.884	3.800	38	78	3-▲-9
3.784	3.700	37	76	3--8
3.684	3.600	36	74	3--7
3.584	3.500	35	72	3--6
3.484	3.400	34	70	3--5
3.384	3.300	33	68	3--4
3.284	3.200	32	66	3--3
3.184	3.100	31	64	3--2
3.084	3.000	30	62	3--1
2.984	2.900	29	60	3--0
2.884	2.800	28	58	2--9
2.784	2.700	27	56	2--8
2.684	2.600	26	54	2--7
2.584	2.500	25	52	2--6
2.484	2.400	24	50	2--5
2.384	2.300	23	48	2--4
2.284	2.200	22	46	2--3
2.184	2.100	21	44	2--2
2.084	2.000	20	42	2--1
1.984	1.900	19	40	2--0
1.884	1.800	18	38	1--9
1.784	1.700	17	36	1--8
1.684	1.600	16	34	1--7
1.584	1.500	15	32	1--6
1.484	1.400	14	30	1--5
1.384	1.300	13	28	1--4
1.084	1.000	10	22	1--3
.284	.200	2	6	1--2
.184	.100	1	4	1--1
.084	---	---	2	1--0
1.284	1.200	12	26	--9
1.184	1.100	11	24	--8
.984	.900	9	20	--7
.884	.800	8	18	--6
.784	.700	7	16	--5
.684	.600	6	14	--4
.584	.500	5	12	--3
.484	.400	4	10	--2
.384	.300	3	8	87215-1
C	B	A	NO OF POS	ASSEMBLY PART NUMBER

THIS DRAWING IS A CONTROLLED DOCUMENT.		DWN	3-15-85	STE TE Connectivity																	
DIMENSIONS: INCHES		CHK	5-21-85																		
TOLERANCES UNLESS OTHERWISE SPECIFIED:		APVD	5-21-85																		
<table border="0"> <tr><td>0 PLC</td><td>±</td><td>-</td></tr> <tr><td>1 PLC</td><td>±</td><td>-</td></tr> <tr><td>2 PLC</td><td>±</td><td>-</td></tr> <tr><td>3 PLC</td><td>±</td><td>.005</td></tr> <tr><td>4 PLC</td><td>±</td><td>-</td></tr> <tr><td>ANGLES</td><td>±</td><td>-</td></tr> </table>		0 PLC	±		-	1 PLC	±	-	2 PLC	±	-	3 PLC	±	.005	4 PLC	±	-	ANGLES	±	-	NAME
0 PLC	±	-																			
1 PLC	±	-																			
2 PLC	±	-																			
3 PLC	±	.005																			
4 PLC	±	-																			
ANGLES	±	-																			
MATERIAL: HOUSING-FLAME RETARDENT THERMOPLASTIC. COLOR-BLACK. POSTS-PHOS BRONZE.		FINISH	POSTS-.00030 GOLD ON THE CONTACT AREA. GOLD FLASH ON SOLDER AREA. ALL OVER .00050 NICKEL.	PRODUCT SPEC	APPLICATION SPEC	SIZE	CAGE CODE	DRAWING NO	RESTRICTED TO												
		WEIGHT	-	A2	00779	C=87215															
		CUSTOMER DRAWING		SCALE	-	SHEET	1 of 1	REV	K												

X-ON Electronics

Largest Supplier of Electrical and Electronic Components

Click to view similar products for [Headers & Wire Housings](#) category:

Click to view products by [TE Connectivity](#) manufacturer:

Other Similar products are found below :

[892-18-020-10-001101](#) [58102-G61-06LF](#) [582553-1](#) [0009485154](#) [009176003701906](#) [0050291907](#) [LY20-4P-DT1-P1E-BR](#) [02.125.8002.8](#)
[609-3404](#) [61062-3](#) [61082-181009](#) [622-3653LF](#) [63453-116](#) [636-1030](#) [636-1427](#) [636-3427](#) [636-4007](#) [641938-9](#) [641991-4](#) [644827-2](#) [65817-010LF](#) [65817-015LF](#) [65863-015LF](#) [66207-023LF](#) [67095-007LF](#) [67601157](#) [68645-018](#) [68648-049](#) [70.362.1628.0](#) [70-4210](#) [70-4226B](#) [70-4853B](#) [707-5020](#) [707-5028](#) [71.350.2428.0](#) [71918-208LF](#) [71961-016LF](#) [733-134](#) [733-162](#) [754199-000](#) [760-3052](#) [787-8014-00](#) [79531-3000](#)
[FCN-360C032-B](#) [FCN-367T-T012/H](#) [FCN-723D010/2](#) [80.063.4001.1](#) [800-90-001-10-001000](#) [800-90-010-10-002000](#) [801-43-002-10-013000](#)