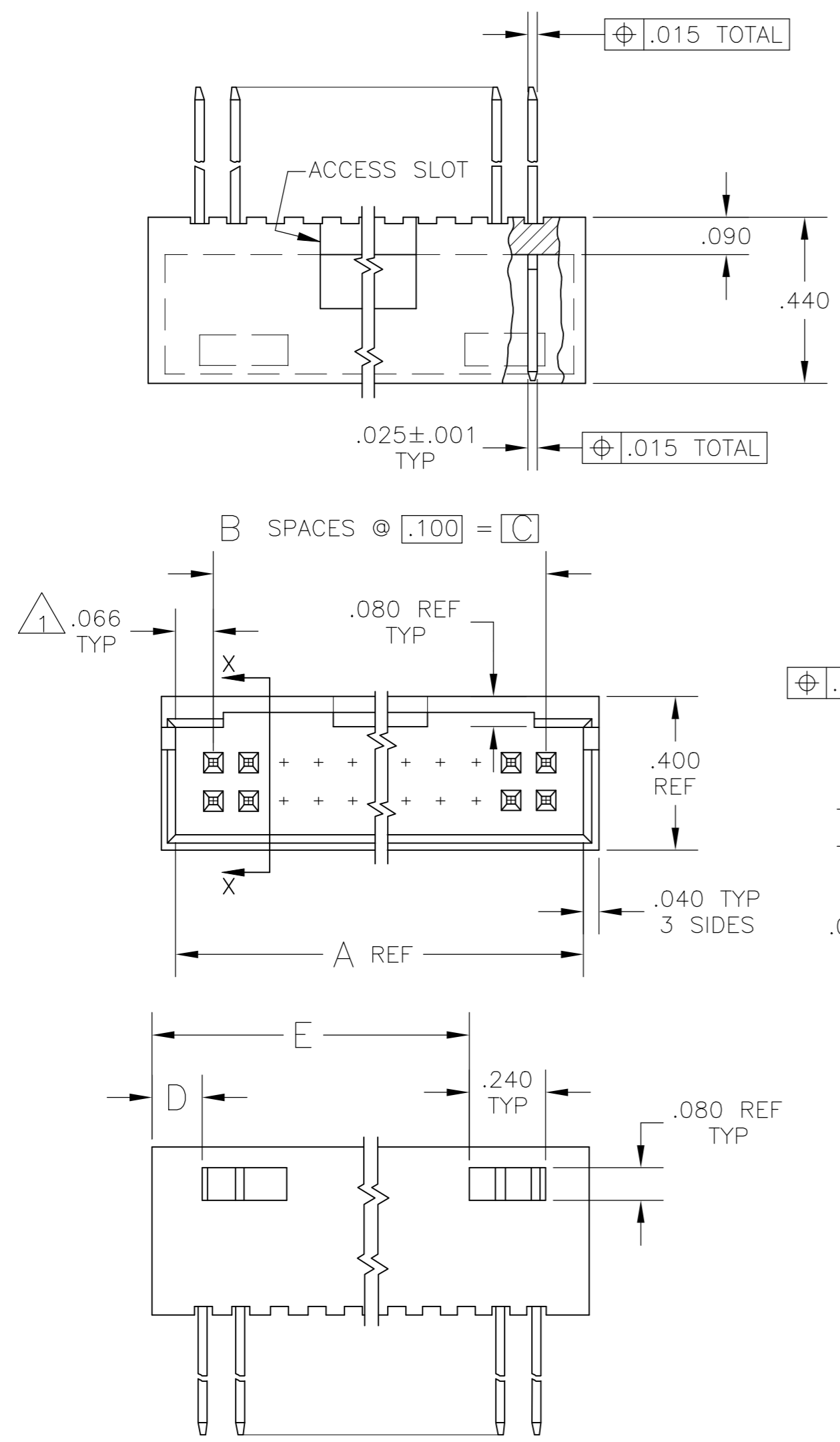


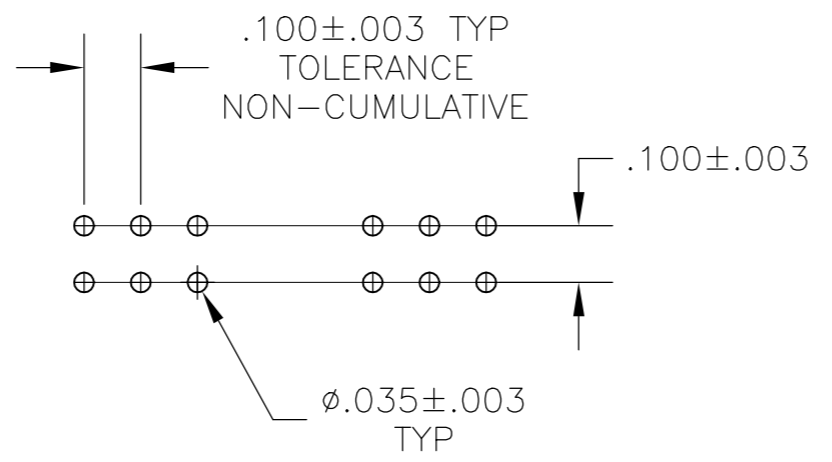
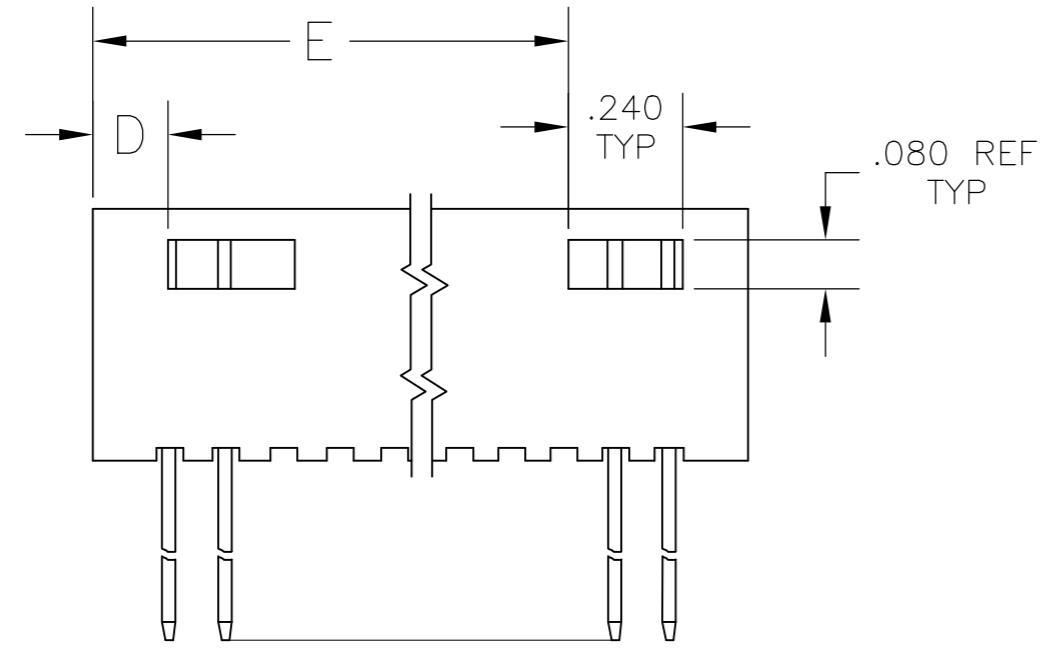
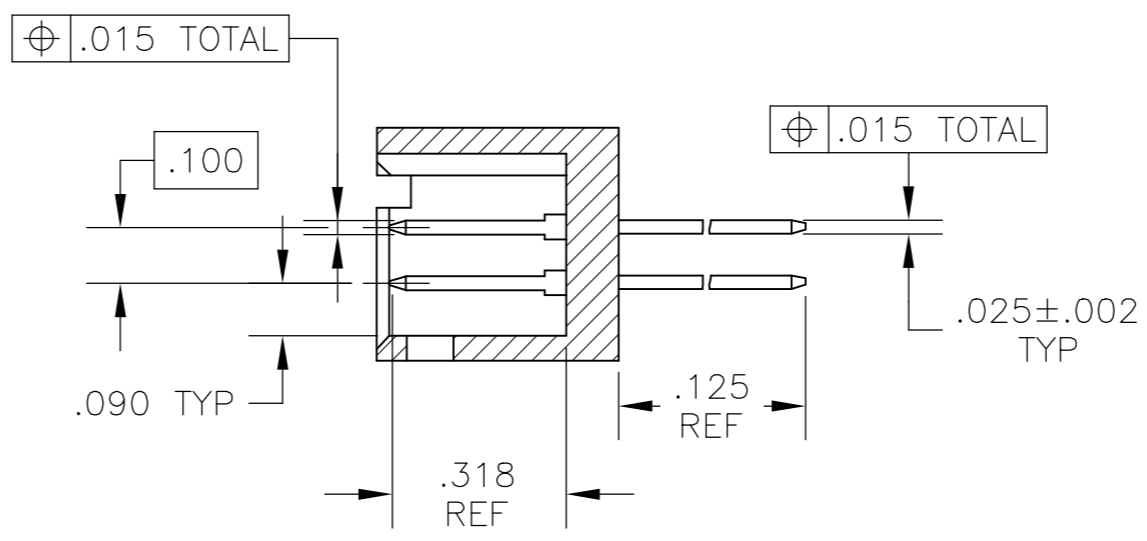
THIS DRAWING IS UNPUBLISHED. RELEASED FOR PUBLICATION
 © COPYRIGHT - By - ALL RIGHTS RESERVED.

REVISIONS					
P	LTR	DESCRIPTION	DATE	DWN	APVD
	R4	PART STATUS UPATED IN PART LIST TABLE	16FEB2018	SD	PS



NOTES

- 1 WILL ALSO MATE W/OTHER CONNECTORS WHICH ARE COMPATIBLE WITH THE .006 END DIM.
- 2 OBSOLETE PART NUMBER.
- 3 .000100-.000200 BRIGHT TIN-LEAD OVER .000050 NICKEL
- 4 .000100-.000200 BRIGHT TIN OVER .000050-.000100 NICKEL
- 5 PRELIMINARY PART.
- 6 .000100-.000200 MATTE TIN OVER .000050-.000100 NICKEL
- 7 OBSOLETE PARTS: OBSOLETE CIS STREAMLINING PER D.RENAUD/D.SINISI



RECOMMENDED HOLE LAYOUT

THIS DRAWING IS A CONTROLLED DOCUMENT.		DWN	12 SEP 75		TE Connectivity				
DIMENSIONS: INCHES		CHK	12 SEP 75		NAME				
		APVD	15 SEP 75		HEADER ASSEMBLY MOD II, .100 C/L .025 SQUARE POST, WITH DETENT				
MATERIAL: HSG: GLASS FILLED NYLON, COLOR: BLACK, CONTACT: PHOS BRONZE		TOLERANCES UNLESS OTHERWISE SPECIFIED:		PRODUCT SPEC		SIZE	CAGE CODE	DRAWING NO	RESTRICTED TO
SEE TABLE		FINISH		APPLICATION SPEC		A2	00779	C=87589	-
CUSTOMER DRAWING				WEIGHT	-	SCALE	3:1	SHEET	1 of 2
								REV	R4

THIS DRAWING IS UNPUBLISHED. RELEASED FOR PUBLICATION
 © COPYRIGHT - By - ALL RIGHTS RESERVED.

REVISIONS					
P	LTR	DESCRIPTION	DATE	DWN	APVD
-	-	SEE SHEET 1	-	-	-

D

C

B

A

-	.106	.200	2	.332	6	8-87589-6	
-	.106	.300	3	.432	8	8-87589-5	
3.506	.106	3.600	36	3.732	74	8-87589-3	
3.406	.106	3.500	35	3.632	72	8-87589-2	
3.306	.106	3.400	34	3.532	70	8-87589-1	
3.206	.106	3.300	33	3.432	68	8-87589-0	
3.106	.106	3.200	32	3.332	66	7-87589-9	
3.006	.106	3.100	31	3.232	64	7-87589-8	
2.906	.106	3.000	30	3.132	62	7-87589-7	
2.806	.106	2.900	29	3.032	60	7-87589-6	
2.706	.106	2.800	28	2.932	58	7-87589-5	
2.606	.106	2.700	27	2.832	56	7-87589-4	
2.506	.106	2.600	26	2.732	54	7-87589-3	
2.406	.106	2.500	25	2.632	52	7-87589-2	
2.306	.106	2.400	24	2.532	50	7-87589-1	
2.206	.106	2.300	23	2.432	48	7-87589-0	
2.106	.106	2.200	22	2.332	46	6-87589-9	
2.006	.106	2.100	21	2.232	44	6-87589-8	
1.906	.106	2.000	20	2.132	42	6-87589-7	
1.806	.106	1.900	19	2.032	40	6-87589-6	
1.706	.106	1.800	18	1.932	38	6-87589-5	
1.606	.106	1.700	17	1.832	36	6-87589-4	
1.506	.106	1.600	16	1.732	34	6-87589-3	
1.406	.106	1.500	15	1.632	32	6-87589-2	
1.306	.106	1.400	14	1.532	30	6-87589-1	
1.206	.106	1.300	13	1.432	28	6-87589-0	
1.106	.106	1.200	12	1.332	26	5-87589-9	
1.006	.106	1.100	11	1.232	24	5-87589-8	
.906	.106	1.000	10	1.132	22	5-87589-7	
.806	.106	.900	9	1.032	20	5-87589-6	
-	.406	.800	8	.932	18	5-87589-5	
-	.306	.700	7	.832	16	5-87589-4	
-	.306	.600	6	.732	14	5-87589-3	
-	.206	.500	5	.632	12	5-87589-2	
-	.206	.400	4	.532	10	5-87589-1	
FINISH	E	D	C	B	A	NO OF POSN.	PART NO.

OBSOLETE

OBSOLETE

OBSOLETE

OBSOLETE

OBSOLETE

OBSOLETE

6

OBSOLETE

OBSOLETE

OBSOLETE

SUPERCEDED BY 6-87589-4

OBSOLETE

OBSOLETE

OBSOLETE

5	4	1.306	.106	1.400	14	1.532	30	3-87589-9
	4	-	.406	.800	8	.932	18	3-87589-8
	4	-	.306	.700	7	.832	16	3-87589-7
		-	.106	.200	2	.332	6	3-87589-6
		-	.106	.300	3	.432	8	3-87589-5
		3.506	.106	3.600	36	3.732	74	3-87589-3
		3.406	.106	3.500	35	3.632	72	3-87589-2
		3.306	.106	3.400	34	3.532	70	3-87589-1
		3.206	.106	3.300	33	3.432	68	3-87589-0
		3.106	.106	3.200	32	3.332	66	2-87589-9
		3.006	.106	3.100	31	3.232	64	2-87589-8
		2.906	.106	3.000	30	3.132	62	2-87589-7
		2.806	.106	2.900	29	3.032	60	2-87589-6
		2.706	.106	2.800	28	2.932	58	2-87589-5
		2.606	.106	2.700	27	2.832	56	2-87589-4
		2.506	.106	2.600	26	2.732	54	2-87589-3
		2.406	.106	2.500	25	2.632	52	2-87589-2
		2.306	.106	2.400	24	2.532	50	2-87589-1
		2.206	.106	2.300	23	2.432	48	2-87589-0
		2.106	.106	2.200	22	2.332	46	1-87589-9
		2.006	.106	2.100	21	2.232	44	1-87589-8
		1.906	.106	2.000	20	2.132	42	1-87589-7
		1.806	.106	1.900	19	2.032	40	1-87589-6
		1.706	.106	1.800	18	1.932	38	1-87589-5
		1.606	.106	1.700	17	1.832	36	1-87589-4
		1.506	.106	1.600	16	1.732	34	1-87589-3
		1.406	.106	1.500	15	1.632	32	1-87589-2
		1.306	.106	1.400	14	1.532	30	1-87589-1
		1.206	.106	1.300	13	1.432	28	1-87589-0
		1.106	.106	1.200	12	1.332	26	87589-9
		1.006	.106	1.100	11	1.232	24	87589-8
		.906	.106	1.000	10	1.132	22	87589-7
		.806	.106	.900	9	1.032	20	87589-6
		-	.406	.800	8	.932	18	87589-5
		-	.306	.700	7	.832	16	87589-4
		-	.306	.600	6	.732	14	87589-3
		-	.206	.500	5	.632	12	87589-2
		-	.206	.400	4	.532	10	87589-1
FINISH	E	D	C	B	A	NO OF POSN.	PART NO.	

3

THIS DRAWING IS A CONTROLLED DOCUMENT.		DWN	12 SEP 75	TE Connectivity	
		CHK	12 SEP 75		
DIMENSIONS: INCHES		APVD	15 SEP 75	NAME	
		TOLERANCES UNLESS OTHERWISE SPECIFIED:		PRODUCT SPEC	
		0 PLC ± -		APPLICATION SPEC	
MATERIAL		WEIGHT		SIZE	
HSG: GLASS FILLED NYLON COLOR: BLACK CONTACT: PHOS BRONZE		-		A2 00779	
FINISH		SEE TABLE		DRAWING NO	
				C-87589	
		CUSTOMER DRAWING		RESTRICTED TO	
				-	
		SCALE		SHEET	
		1:1		2 of 2	
				REV	
				R4	

X-ON Electronics

Largest Supplier of Electrical and Electronic Components

Click to view similar products for [Headers & Wire Housings](#) category:

Click to view products by [TE Connectivity](#) manufacturer:

Other Similar products are found below :

[95000-104TRLF](#) [10135584-644402LF](#) [DF62W-EP2022PCA](#) [95000-106TRLF](#) [DF62W-2022SCA](#) [DF62W-EP2022PC](#) [2203348](#) [DF62W-2022SC](#) [1084018](#) [1029039](#) [1084017](#) [802-10-012-10-002000](#) [1112640](#) [1112639](#) [000-34000](#) [0009482033](#) [0009507031](#) [57102-S06-03LF](#) [57202-S52-04LF](#) [PCN6-15S-2.5E](#) [0039019024](#) [58102-G61-06LF](#) [582553-1](#) [0009508121](#) [0050291907](#) [018731A](#) [LY20-4P-DT1-P1E-BR](#) [02.125.8002.8](#) [60101931](#) [60598-1 \(Cut Strip\)](#) [M1625-3R/100](#) [61062-3](#) [61082-181009](#) [636-1427](#) [638009-1](#) [641938-9](#) [641991-4](#) [644168-1](#) [647662-1](#) [65039-019ELF](#) [65817-002LF](#) [65817-015LF](#) [65863-015LF](#) [66207-023LF](#) [67016-026LF](#) [67046-001LF](#) [67095-007LF](#) [68002-116](#) [68016-236H](#) [68648-049](#)