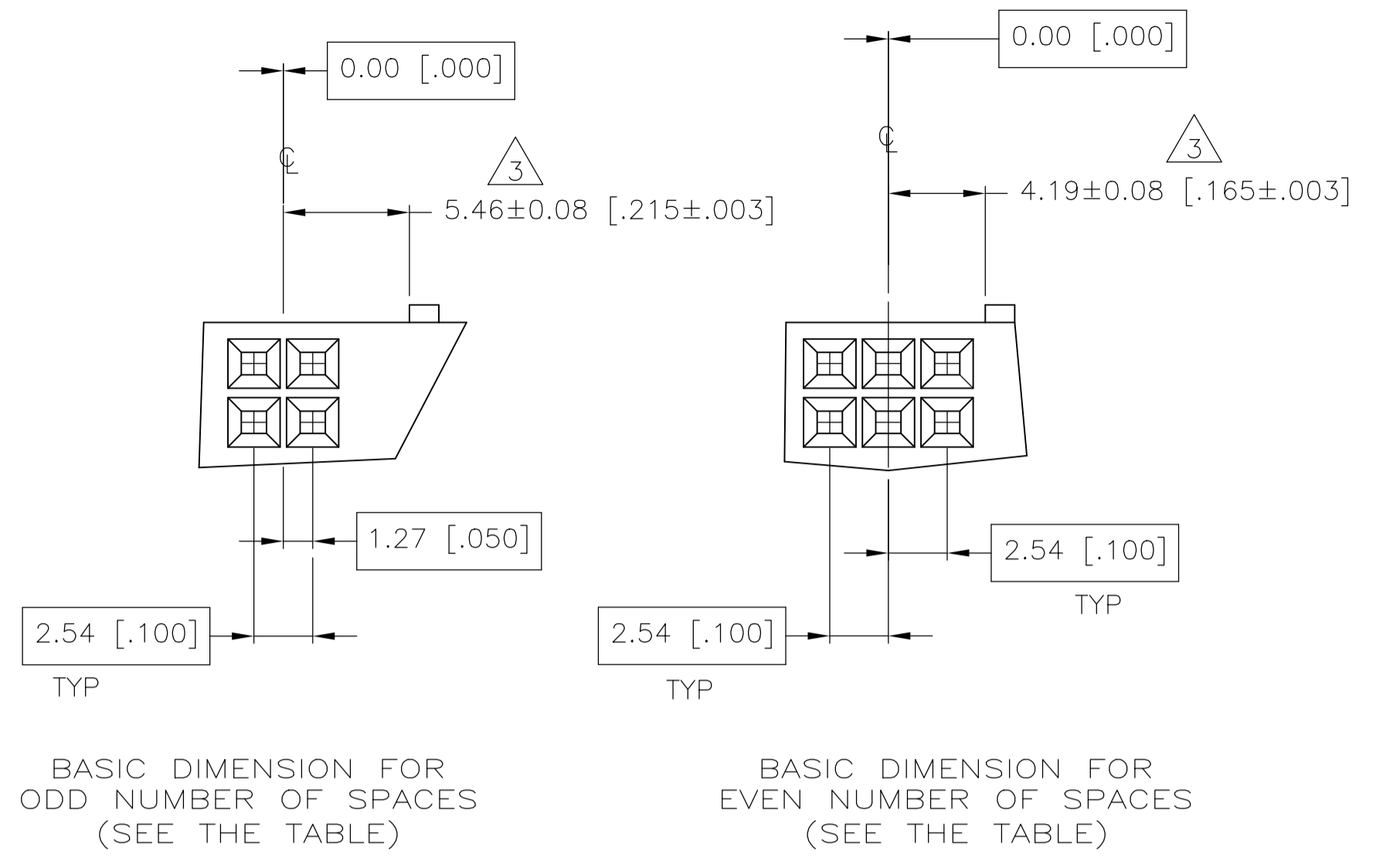
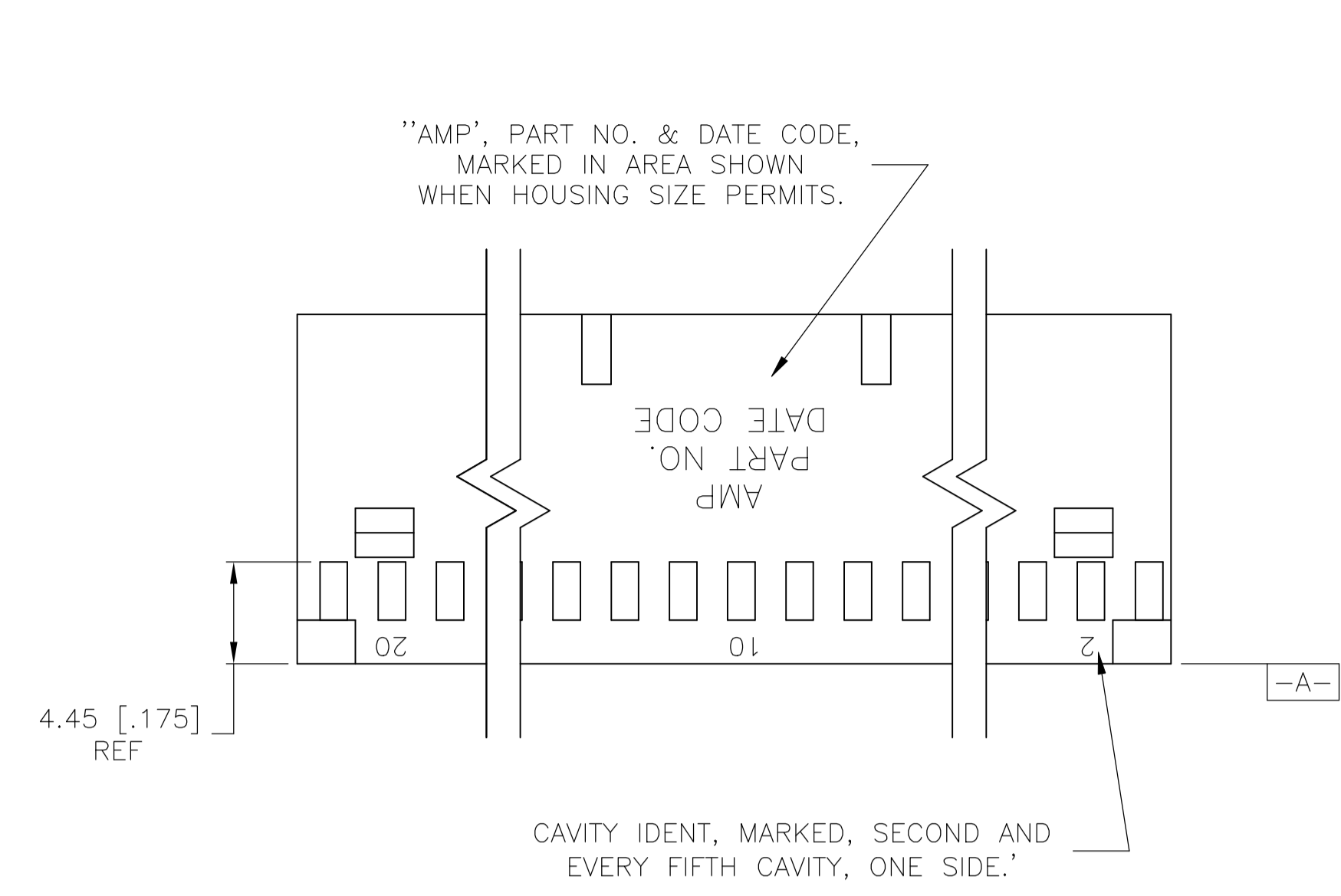
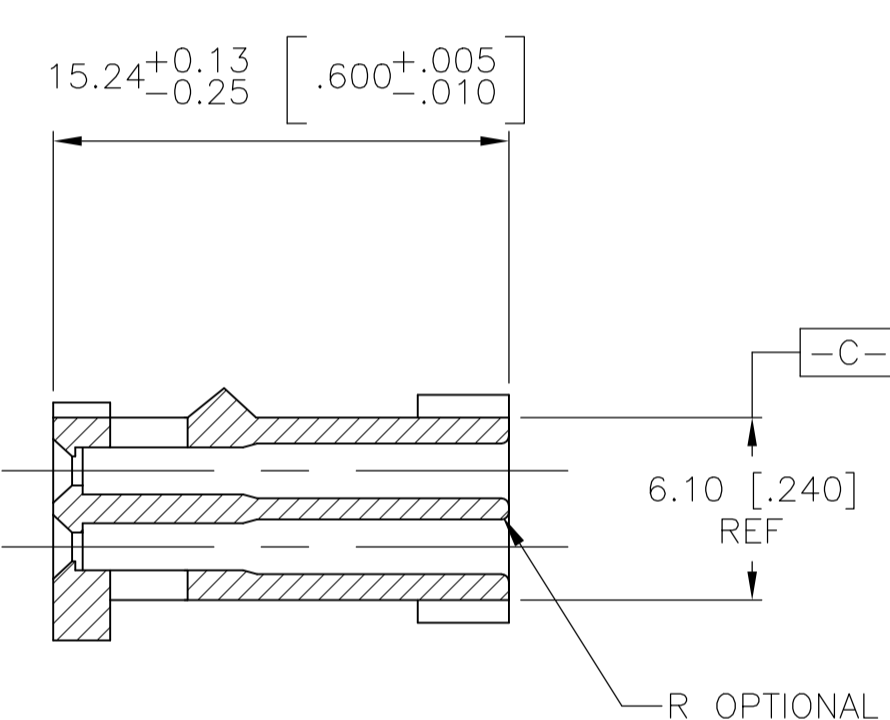
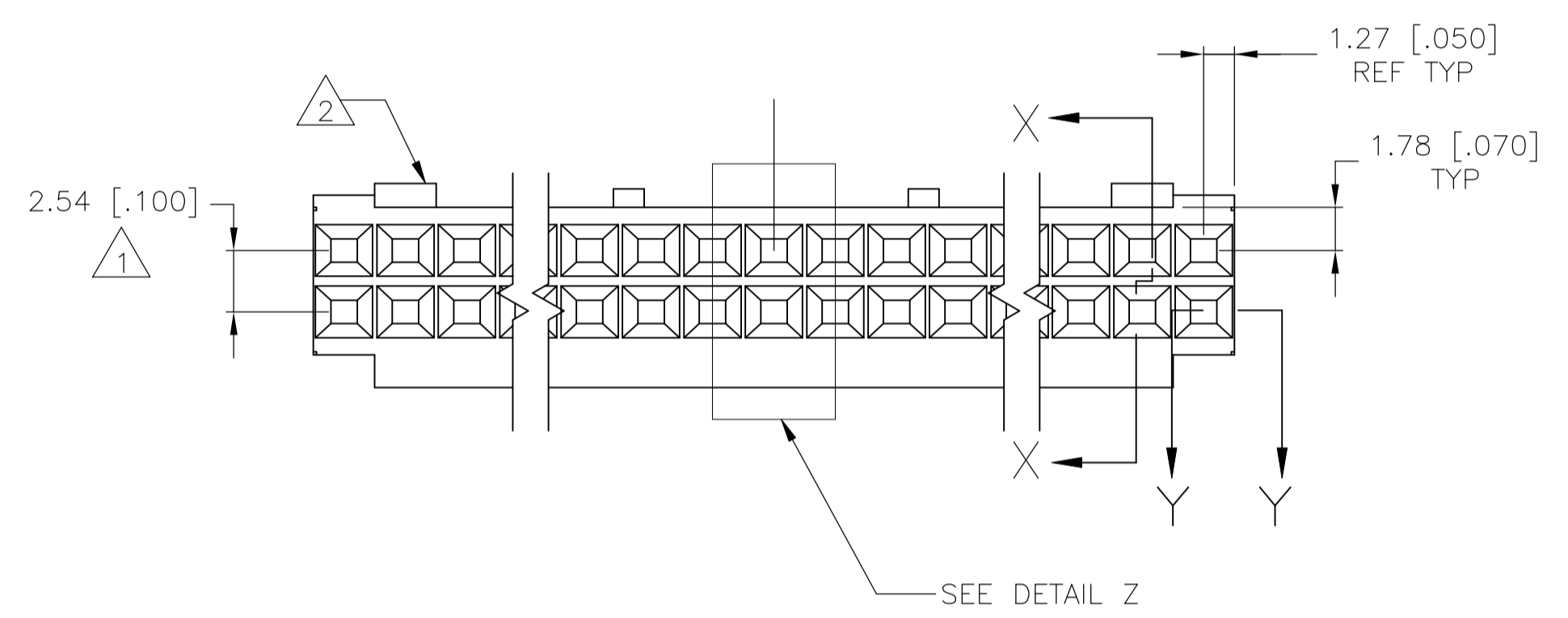


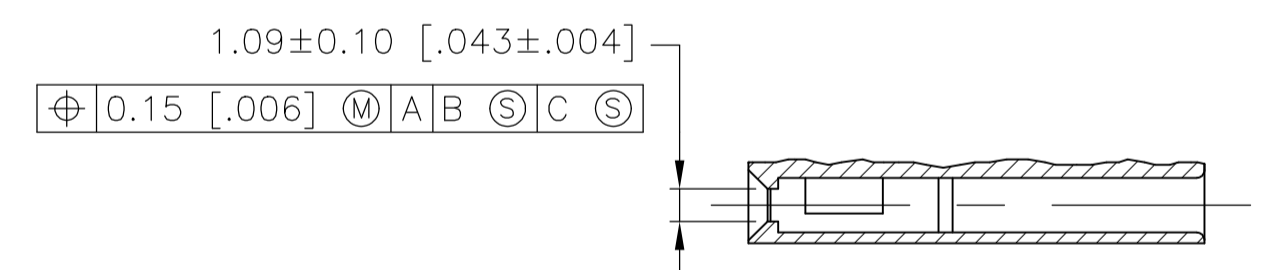
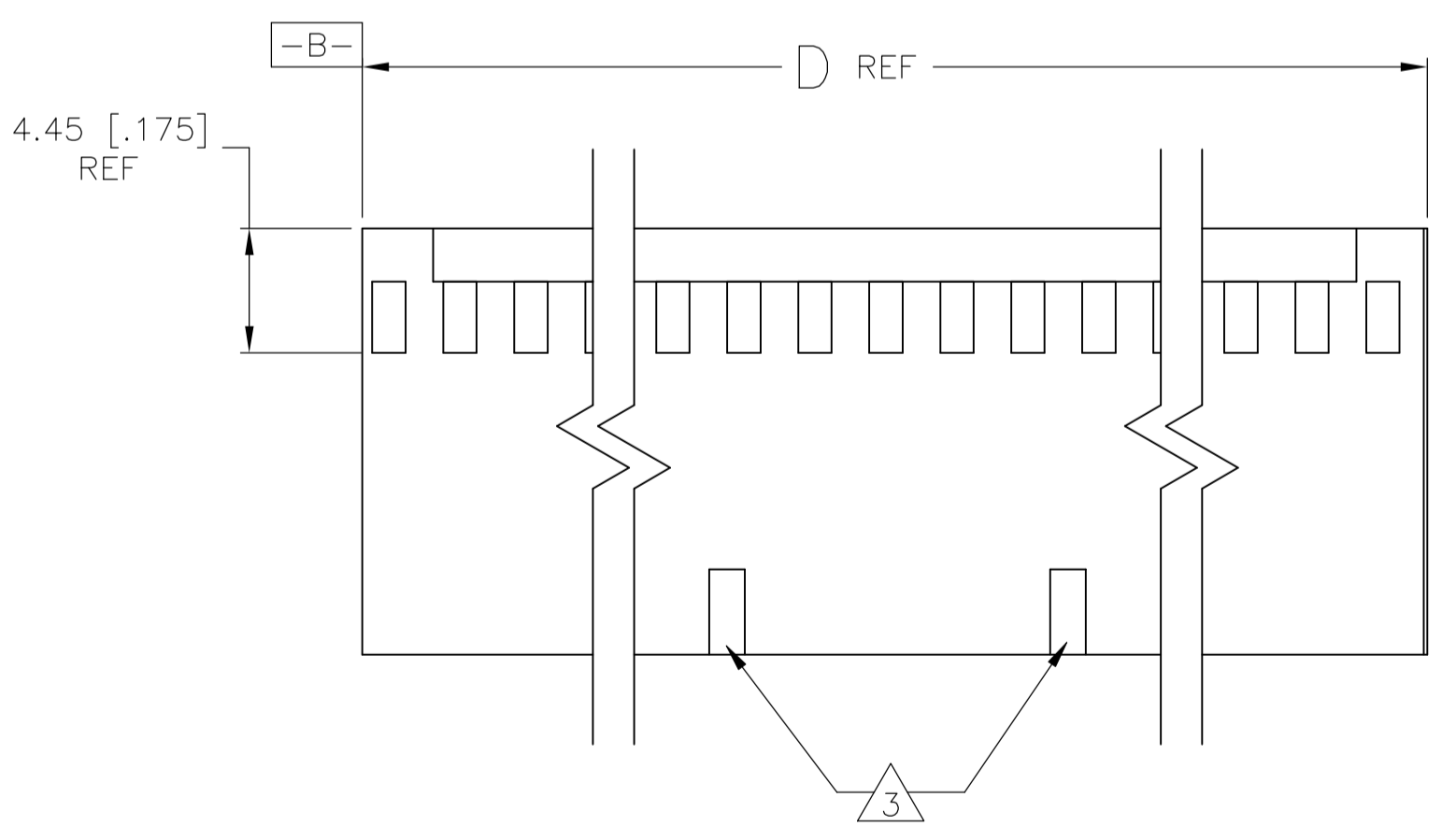
| REVISIONS | | | | | |
|-----------|-----|---------------------------|-----------|-----|------|
| P | LTR | DESCRIPTION | DATE | DRN | APVD |
| W4 | | REVISED PER ECO-13-004115 | 07MAR13 | KH | JO |
| Y | | REVISED PER ECO-18-000976 | 18MAY2018 | RS | JO |



DETAIL Z



SECTION X-X



SECTION Y-Y
ROTATED 90° CLOCKWISE

- 2 SEE TABLE FOR NUMBER OF DETENTS. DETENT ON THIS SIDE FOR HOUSINGS WITH ONE DETENT.
- 3 STRAIN RELIEF LOCATORS WILL APPEAR ON 20 POSITION AND LARGER HOUSINGS.
- 4 USE EXTRACTION TOOL 91052-1 TO REMOVE RECEPTACLE CONTACTS.
- 5 THESE HOUSINGS ARE COMPATIBLE WITH ANY MOD II SHROUDED HEADER.
- 6 HOUSINGS WILL ACCOMMODATE ALL MOD IV, IV.5 AND MOD V CONTACTS.
- 7 MATERIAL: FLAME RETARDANT GLASS FILLED NYLON, COLOR: BLACK PER ASTM D4066.
- 8 OBSOLETE PARTS: OBSOLETE CIS STREAMLINING PER D.RENAUD/D.SINISI

| MARKING | NO. OF DETENTS | D | NO. OF SPACES | NO. OF POS | PART NUMBER | |
|------------|----------------|---|---------------|------------|-------------|-----------|
| 8 OBSOLETE | ALL | 2 | 81.28 [3.200] | 31 | 64 | 6-87631-6 |
| | NONE | 2 | 81.28 [3.200] | 31 | 64 | 6-87631-5 |
| | ALL | 2 | 73.66 [2.900] | 28 | 58 | 6-87631-4 |
| 8 OBSOLETE | NONE | 2 | 73.66 [2.900] | 28 | 58 | 6-87631-3 |
| | | | | | | 6-87631-2 |
| | | | | | | 6-87631-1 |
| | ALL | 2 | 60.96 [2.400] | 23 | 48 | 6-87631-0 |
| 8 OBSOLETE | NONE | 2 | 60.96 [2.400] | 23 | 48 | 5-87631-9 |
| 8 OBSOLETE | ALL | 2 | 88.90 [3.500] | 35 | 72 | 5-87631-8 |
| | NONE | 2 | 88.90 [3.500] | 35 | 72 | 5-87631-7 |
| | ALL | 2 | 88.90 [3.500] | 34 | 70 | 5-87631-6 |
| | NONE | 2 | 88.90 [3.500] | 34 | 70 | 5-87631-5 |
| 8 OBSOLETE | ALL | 2 | 83.82 [3.300] | 32 | 66 | 5-87631-4 |
| | NONE | 2 | 83.82 [3.300] | 32 | 66 | 5-87631-3 |
| | ALL | 2 | 76.20 [3.000] | 29 | 60 | 5-87631-2 |
| | NONE | 2 | 76.20 [3.000] | 29 | 60 | 5-87631-1 |
| | | | | | | 5-87631-0 |
| | | | | | | 4-87631-9 |
| | | | | | | 4-87631-8 |
| | | | | | | 4-87631-7 |
| 8 OBSOLETE | ALL | 2 | 68.58 [2.700] | 26 | 54 | 4-87631-6 |
| | NONE | 2 | 68.58 [2.700] | 26 | 54 | 4-87631-5 |
| | ALL | 2 | 66.04 [2.600] | 25 | 52 | 4-87631-4 |
| | NONE | 2 | 66.04 [2.600] | 25 | 52 | 4-87631-3 |
| | ALL | 2 | 63.50 [2.500] | 24 | 50 | 4-87631-2 |
| | NONE | 2 | 63.50 [2.500] | 24 | 50 | 4-87631-1 |
| | ALL | 2 | 55.88 [2.200] | 21 | 44 | 4-87631-0 |
| 8 OBSOLETE | NONE | 2 | 55.88 [2.200] | 21 | 44 | 3-87631-9 |
| | ALL | 2 | 53.34 [2.100] | 20 | 42 | 3-87631-8 |
| | NONE | 2 | 53.34 [2.100] | 20 | 42 | 3-87631-7 |
| | ALL | 2 | 50.80 [2.000] | 19 | 40 | 3-87631-6 |
| | NONE | 2 | 50.80 [2.000] | 19 | 40 | 3-87631-5 |
| | ALL | 2 | 48.26 [1.900] | 18 | 38 | 3-87631-4 |
| | NONE | 2 | 48.26 [1.900] | 18 | 38 | 3-87631-3 |
| | ALL | 2 | 45.72 [1.800] | 17 | 36 | 3-87631-2 |
| | NONE | 2 | 45.72 [1.800] | 17 | 36 | 3-87631-1 |
| | ALL | 2 | 43.18 [1.700] | 16 | 34 | 3-87631-0 |
| | NONE | 2 | 43.18 [1.700] | 16 | 34 | 2-87631-9 |
| | ALL | 2 | 40.64 [1.600] | 15 | 32 | 2-87631-8 |
| | NONE | 2 | 40.64 [1.600] | 15 | 32 | 2-87631-7 |
| | ALL | 2 | 38.10 [1.500] | 14 | 30 | 2-87631-6 |
| | NONE | 2 | 38.10 [1.500] | 14 | 30 | 2-87631-5 |
| | ALL | 2 | 35.56 [1.400] | 13 | 28 | 2-87631-4 |
| | NONE | 2 | 35.56 [1.400] | 13 | 28 | 2-87631-3 |
| | ALL | 2 | 33.02 [1.300] | 12 | 26 | 2-87631-2 |
| | NONE | 2 | 33.02 [1.300] | 12 | 26 | 2-87631-1 |
| | ALL | 2 | 30.48 [1.200] | 11 | 24 | 2-87631-0 |
| | NONE | 2 | 30.48 [1.200] | 11 | 24 | 1-87631-9 |
| | ALL | 2 | 27.94 [1.100] | 10 | 22 | 1-87631-8 |
| | NONE | 2 | 27.94 [1.100] | 10 | 22 | 1-87631-7 |
| | ALL | 2 | 25.40 [1.000] | 9 | 20 | 1-87631-6 |
| | NONE | 2 | 25.40 [1.000] | 9 | 20 | 1-87631-5 |
| | ALL | 1 | 22.86 [.900] | 8 | 18 | 1-87631-4 |
| | NONE | 1 | 22.86 [.900] | 8 | 18 | 1-87631-3 |
| | ALL | 1 | 20.32 [.800] | 7 | 16 | 1-87631-2 |
| | NONE | 1 | 20.32 [.800] | 7 | 16 | 1-87631-1 |
| | ALL | 1 | 17.78 [.700] | 6 | 14 | 1-87631-0 |
| | NONE | 1 | 17.78 [.700] | 6 | 14 | 87631-9 |
| | ALL | 1 | 15.24 [.600] | 5 | 12 | 87631-8 |
| | NONE | 1 | 15.24 [.600] | 5 | 12 | 87631-7 |
| | ALL | 1 | 12.70 [.500] | 4 | 10 | 87631-6 |
| | NONE | 1 | 12.70 [.500] | 4 | 10 | 87631-5 |
| | ALL | 1 | 10.16 [.400] | 3 | 8 | 87631-4 |
| | NONE | 1 | 10.16 [.400] | 3 | 8 | 87631-3 |
| | ALL | 1 | 7.62 [.300] | 2 | 6 | 87631-2 |
| | NONE | 1 | 7.62 [.300] | 2 | 6 | 87631-1 |

THIS DRAWING IS A CONTROLLED DOCUMENT. DWN E. BRANDBERG 09FEB94
 DW S. SHUEY 08NOV94
 APVD D. DUPLER 08NOV94

STE TE Connectivity Ltd.

CONNECTOR, MOD IV, CRIMP SNAP-IN, WITH DETENT

SIZE CAGE CODE DRAWING NO. RESTRICTED TO
 A1 00779 C=87631

CUSTOMER DRAWING SCALE 4:1 SHEET 1 OF 1 REV Y

X-ON Electronics

Largest Supplier of Electrical and Electronic Components

Click to view similar products for [Headers & Wire Housings](#) category:

Click to view products by [TE Connectivity](#) manufacturer:

Other Similar products are found below :

[892-18-020-10-001101](#) [58102-G61-06LF](#) [582553-1](#) [0009485154](#) [009176003701906](#) [0050291907](#) [LY20-4P-DT1-P1E-BR](#) [02.125.8002.8](#)
[609-3404](#) [61062-3](#) [61082-181009](#) [622-3653LF](#) [63453-116](#) [636-1030](#) [636-1427](#) [636-3427](#) [636-4007](#) [641938-9](#) [641991-4](#) [644827-2](#) [65817-010LF](#) [65817-015LF](#) [65863-015LF](#) [66207-023LF](#) [67095-007LF](#) [67601157](#) [68645-018](#) [68648-049](#) [70.362.1628.0](#) [70-4210](#) [70-4226B](#) [70-4853B](#) [707-5020](#) [707-5028](#) [71.350.2428.0](#) [71918-208LF](#) [71961-016LF](#) [733-134](#) [733-162](#) [754199-000](#) [760-3052](#) [787-8014-00](#) [79531-3000](#)
[FCN-360C032-B](#) [FCN-367T-T012/H](#) [FCN-723D010/2](#) [80.063.4001.1](#) [800-90-001-10-001000](#) [800-90-010-10-002000](#) [801-43-002-10-013000](#)