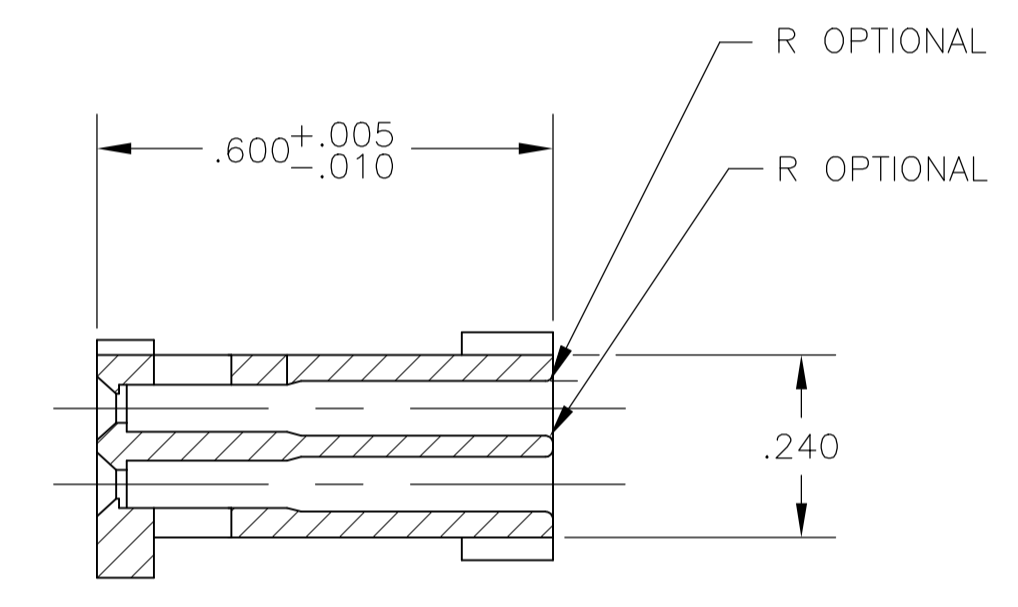
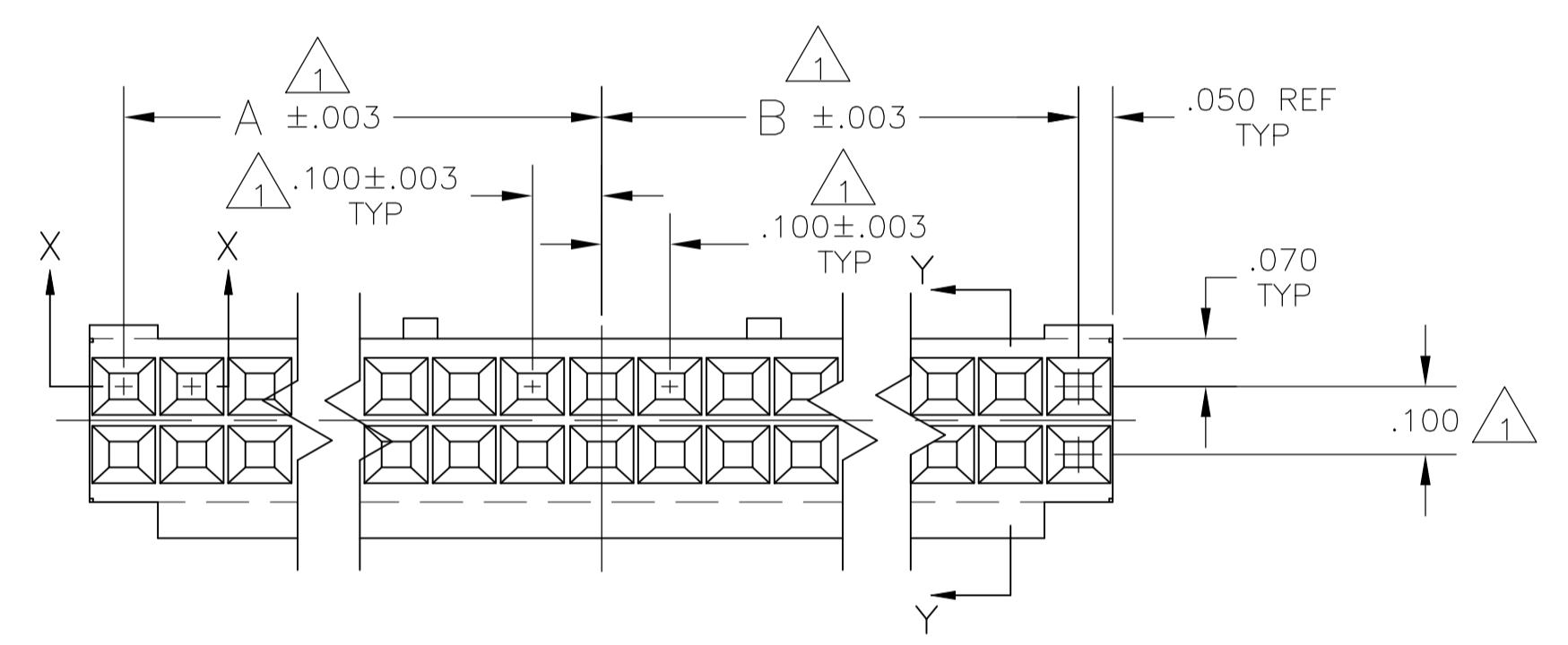
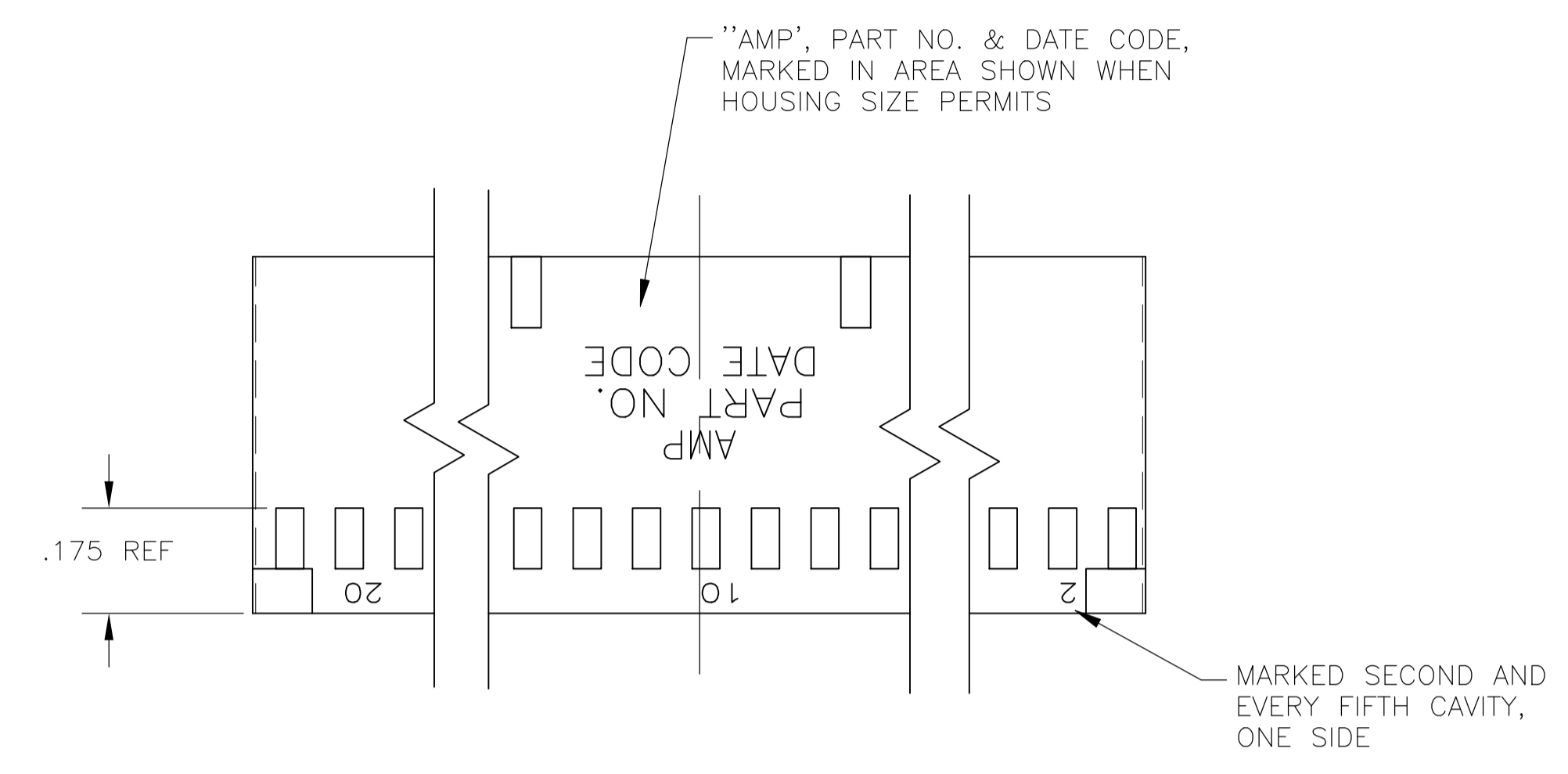
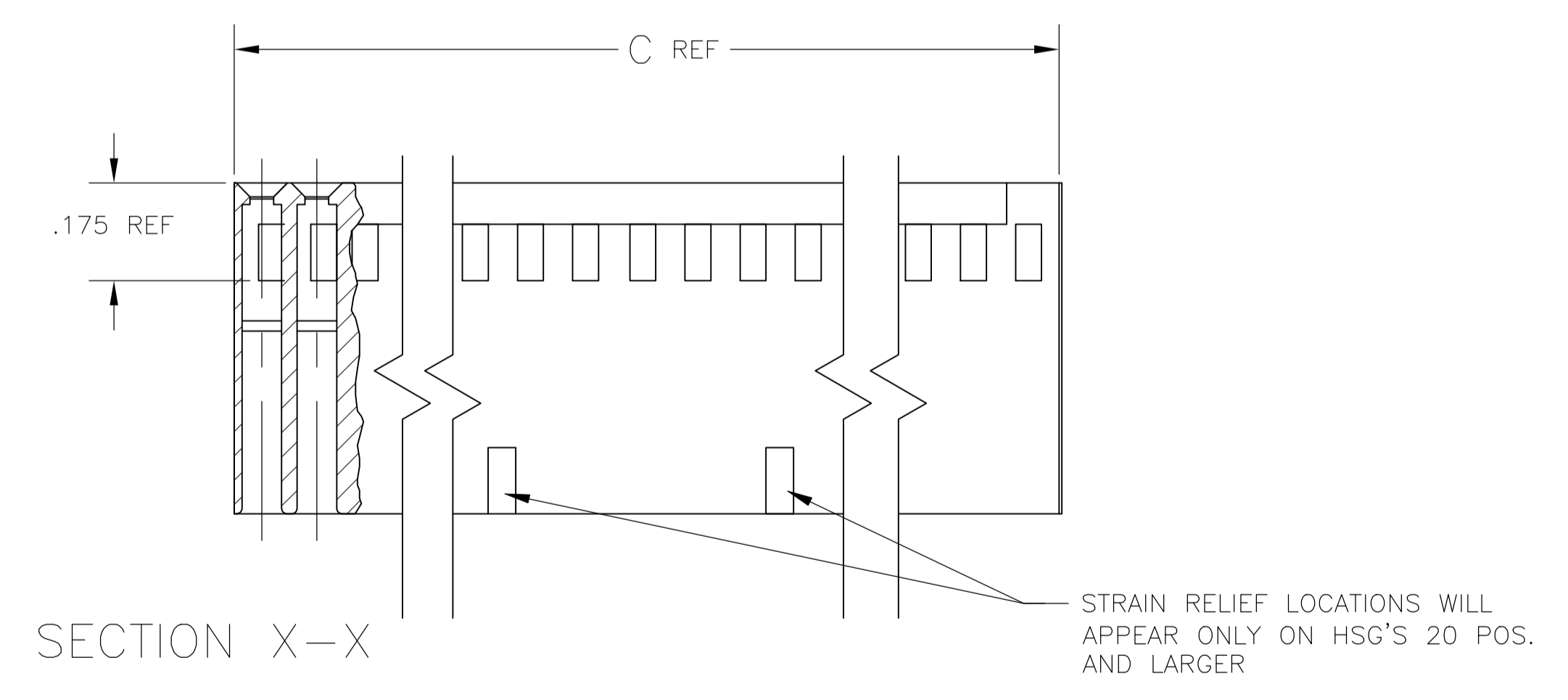


| REVISIONS | | | | | |
|-----------|-----|---------------------------|-----------|-----|------|
| P | LTR | DESCRIPTION | DATE | DRN | APVD |
| T3 | | REVISED PER ECO-11-004587 | 11MAR11 | RK | HMR |
| U | | REVISED PER ECO-18-000976 | 18MAY2018 | RS | JO |

- 1 CAVITY LOCATION DIMENSIONS INCREASE IN INCREMENTS OF .100 TOLERANCES ARE NON-CUMULATIVE
- 2 USE EXTRACTION TOOL 91052-1 TO REMOVE RECEPTACLE CONTACTS.
- 3 THESE HOUSINGS ARE COMPATIBLE WITH ANY MOD II SHROUDED HEADER
- 4 HOUSING WILL ACCOMODATE ALL MOD IV, IV.5 AND MOD V CONTACTS.
- 5 OBSOLETE PARTS: OBSOLETE CIS STREAMLINING PER D.RENAUD/D.SINISI



SECTION Y-Y



SECTION X-X

| | | | | | | |
|-------|-------|-------|-----|---|------------------------|----------------------|
| 3.200 | 1.500 | 1.600 | 64 | △ | 6-87977-2 | 6-87977-1 |
| 2.900 | 1.400 | 1.400 | 58 | △ | 6-87977-0 | 5-87977-9 |
| 2.800 | 1.300 | 1.400 | 56 | | 5-87977-8 | 5-87977-7 |
| 2.400 | 1.100 | 1.200 | 48 | △ | 5-87977-6 | 5-87977-5 |
| 3.600 | 1.700 | 1.800 | 72 | △ | 5-87977-4 | 2-87977-7 |
| 3.500 | 1.700 | 1.700 | 70 | △ | 5-87977-3 | 2-87977-6 |
| 3.300 | 1.600 | 1.600 | 66 | △ | 5-87977-2 | 2-87977-5 |
| 3.000 | 1.400 | 1.500 | 60 | △ | 5-87977-1 | 2-87977-4 |
| 2.700 | 1.300 | 1.300 | 54 | △ | 5-87977-0 | 2-87977-3 |
| 2.600 | 1.200 | 1.300 | 52 | △ | 4-87977-9 | 2-87977-2 |
| 2.500 | 1.200 | 1.200 | 50 | | 4-87977-8 | 2-87977-1 |
| 2.200 | 1.000 | 1.100 | 44 | △ | 4-87977-7 | 2-87977-0 |
| 2.100 | 1.000 | 1.000 | 42 | △ | 4-87977-6 | 1-87977-9 |
| 2.000 | .900 | 1.000 | 40 | | 4-87977-5 | 1-87977-8 |
| 1.900 | .900 | .900 | 38 | △ | 4-87977-4 | 1-87977-7 |
| 1.800 | .800 | .900 | 36 | △ | 4-87977-3 | 1-87977-6 |
| 1.700 | .800 | .800 | 34 | △ | 4-87977-2 | 1-87977-5 |
| 1.600 | .700 | .800 | 32 | △ | 4-87977-1 | 1-87977-4 |
| 1.500 | .700 | .700 | 30 | | 4-87977-0 | 1-87977-3 |
| 1.400 | .600 | .700 | 28 | | 3-87977-9 | 1-87977-2 |
| 1.300 | .600 | .600 | 26 | | 3-87977-8 | 1-87977-1 |
| 1.200 | .500 | .600 | 24 | | 3-87977-7 | 1-87977-0 |
| 1.100 | .500 | .500 | 22 | △ | 3-87977-6 | 87977-9 |
| 1.000 | .400 | .500 | 20 | | 3-87977-5 | 87977-8 |
| .900 | .400 | .400 | 18 | | 3-87977-4 | 87977-7 |
| .800 | .300 | .400 | 16 | | 3-87977-3 | 87977-6 |
| .700 | .300 | .300 | 14 | | 3-87977-2 | 87977-5 |
| .600 | .200 | .300 | 12 | | 3-87977-1 | 87977-4 |
| .500 | .200 | .200 | 10 | | 3-87977-0 | 87977-3 |
| .400 | .100 | .200 | 8 | | 2-87977-9 | 87977-2 |
| .300 | .100 | .100 | 6 | | 2-87977-8 | 87977-1 |
| C | B | A | POS | | PART NUMBER (UNMARKED) | NUMBER PART (MARKED) |

THIS DRAWING IS A CONTROLLED DOCUMENT. DWN BOB BOLES BG 18DEC89
 DW P. SREMICICH 05OCT93
 P. SREMICICH 05OCT93

STE TE Connectivity Ltd.

CONNECTOR HSG., MOD IV, CRIMP SNAP-IN, .100 X .100 CL

SIZE: A1 CAGE CODE: 00779 DRAWING NO: 87977 RESTRICTED TO: U
 SCALE: 4:1 SHEET: 1 OF 1 REV: U

MATERIAL: FLAME RETARDANT GLASS FILLED NYLON. COLOR-BLACK PER ASTM D4666

FINISH: - WEIGHT: -

APPLICAITON SPEC: -

TOLERANCES UNLESS OTHERWISE SPECIFIED:
 0 PLC ± -
 1 PLC ± -
 2 PLC ± -
 3 PLC ± .005
 4 PLC ± -
 ANGLES ± -

CUSTOMER DRAWING

X-ON Electronics

Largest Supplier of Electrical and Electronic Components

Click to view similar products for [Headers & Wire Housings](#) category:

Click to view products by [TE Connectivity](#) manufacturer:

Other Similar products are found below :

[892-18-020-10-001101](#) [58102-G61-06LF](#) [582553-1](#) [0009485154](#) [009176003701906](#) [0050291907](#) [LY20-4P-DT1-P1E-BR](#) [02.125.8002.8](#)
[609-3404](#) [61062-3](#) [61082-181009](#) [622-3653LF](#) [63453-116](#) [636-1030](#) [636-1427](#) [636-3427](#) [636-4007](#) [641938-9](#) [641991-4](#) [644827-2](#) [65817-](#)
[010LF](#) [65817-015LF](#) [65863-015LF](#) [66207-023LF](#) [67095-007LF](#) [67601157](#) [68645-018](#) [68648-049](#) [70.362.1628.0](#) [70-4210](#) [70-4226B](#) [70-](#)
[4853B](#) [707-5020](#) [707-5028](#) [71.350.2428.0](#) [71918-208LF](#) [71961-016LF](#) [733-134](#) [733-162](#) [754199-000](#) [760-3052](#) [787-8014-00](#) [79531-3000](#)
[FCN-360C032-B](#) [FCN-367T-T012/H](#) [FCN-723D010/2](#) [80.063.4001.1](#) [800-90-001-10-001000](#) [800-90-010-10-002000](#) [801-43-002-10-013000](#)