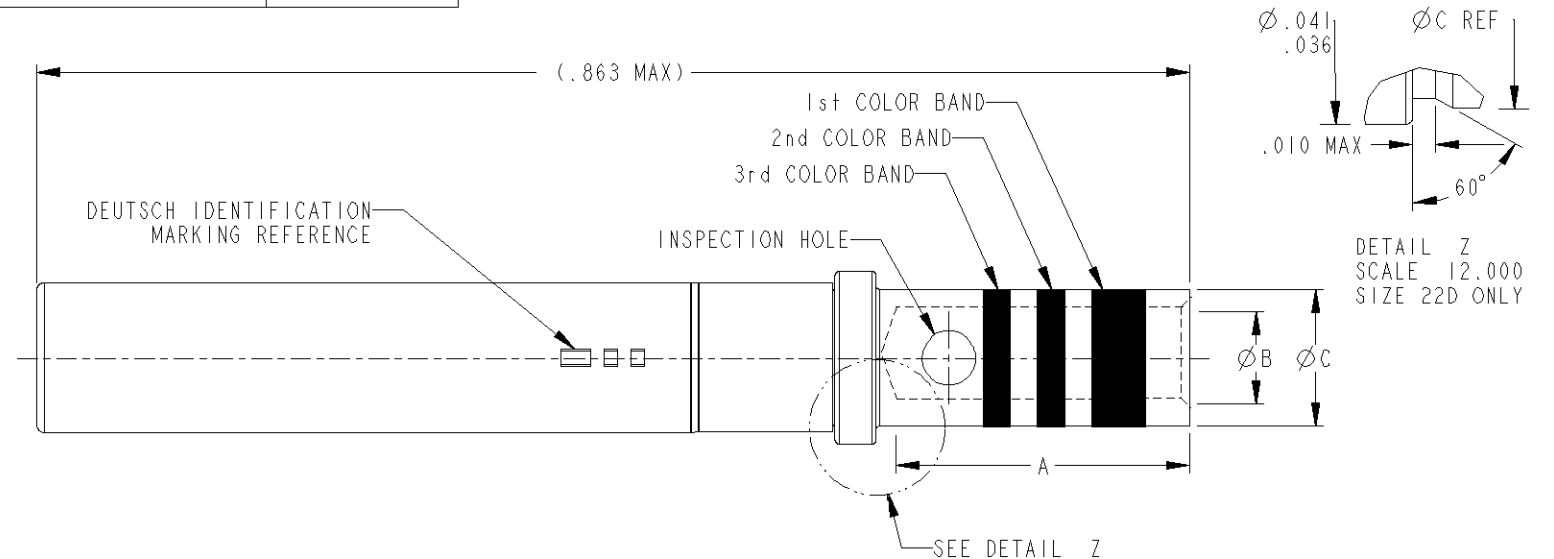


PART NUMBER	PLATING SOCKET BODY	PLATING HOOD
38943-22/38943-20/ 38943-16/38943-12	.000050 MIN. GOLD PER MIL-G-45204 OVER NICKEL	PASSIVATED
38943-22L/38943-20L/ 38943-16L/38943-12L	SELECTIVE PLATING PER SAE-AS39029	PASSIVATED

(CI)

C 38943-\*\*

REV		DESCRIPTION	DATE	APPROVED
B		REVISED PER E.O. C2942	971020	BJH
C		REVISED PER E.O. C8286	110708	J.P.F.



DEUTSCH PART NO. **	MILITARY PART NO.	COLOR BANDS			SIZE	WIRE GAGE RANGE	RECOMMENDED STRIP LENGTH	CRIMP TOOL		A MIN.	B MIN.	C MAX.
		1ST	2ND	3RD				MS TOOL	POSITIONER			
38943-22 38943-22L	MIL-C-39029/56-348	ORANGE	YELLOW	GRAY	22D	22, 24, 26, 28	.160 TO .190	M22520/2-01 M22520/7-01	M22520/2-07 M22520/7-05	.141	.0335	.048
38943-20 38943-20L	MIL-C-39029/56-351	ORANGE	GREEN	BROWN	20	20, 22, 24	.230 TO .260	M22520/1-01 M22520/2-01 M22520/7-01	M22520/1-04 M22520/2-10 M22520/7-08	.209	.046	.070
38943-16 38943-16L	MIL-C-39029/56-352	ORANGE	GREEN	RED	16	16, 18, 20	.230 TO .260	M22520/1-01 M22520/7-01	M22520/1-04 M22520/7-04	.209	.066	.103
38943-12 38943-12L	MIL-C-39029/56-353	ORANGE	GREEN	ORANGE	12	12 AND 14	.230 TO .260	M22520/1-01	M22520/1-04	.209	.098	.151

PROPERTY OF DEUTSCH E.C.D.  
THIS DRAWING CONTAINS PROPRIETARY INFORMATION THAT SHALL NOT BE DISCLOSED, DUPLICATED,  
NOR USED IN WHOLE OR IN PART FOR ANY PURPOSE OTHER THAN TO EVALUATE THIS DRAWING

- MATERIAL: SOCKET BODY - COPPER ALLOY  
SOCKET HOOD - STAINLESS STEEL
- FINISH: SEE TABLE (C2)
- DIMENSIONS ARE IN INCHES UNLESS OTHERWISE SPECIFIED.

UNLESS OTHERWISE SPECIFIED: DIMENSIONS ARE IN INCHES DECIMALS XXX ± .005 ANGLES ±0° 30' 0" T.I.R. .010 PARTS TO HAVE NO BURRS OR SHARP EDGES	SIGNATURE & DATE	
	DR	D. WHITACRE 820816
	CHK	TIM HOLT 820819
	PE	J. GILLS 820818
	APPD	A.R. 110708
FINISH	SCALE 7.000	WT NONE

CONTACT, SOCKET  
CRIMP TYPE  
SAE-AS39029/56  
ENVELOPE

CP	---	MATL CODE	61
<b>DEUTSCH</b>			
ENGINEERED CONNECTING DEVICES 250 EDDIE JONES WAY OCEANSIDE, CA 92058			
<b>A</b> DWS SIZE	38943-**		
	CODE	11139	SHEET   OF

38943-XX-ENV

## X-ON Electronics

Largest Supplier of Electrical and Electronic Components

*Click to view similar products for [Circular MIL Spec Contacts](#) category:*

*Click to view products by [TE Connectivity](#) manufacturer:*

Other Similar products are found below :

[006-1189-20](#) [71-VEAM](#) [809-023](#) [809-111](#) [811393-000](#) [850-014](#) [97-45-1418P-4\(0920\)](#) [97-45-1418S-4](#) [D-602-0106CS076](#) [AIC12-14P](#)  
[AIC16-16PG](#) [AIC8-12P](#) [AIC8-8SG](#) [AIC8-8SRAD](#) [1495044-1](#) [BACC47CP2T](#) [BACC47DP4](#) [BACC47GC1A](#) [BACC47GN1](#) [16968/2C](#)  
[241611N001](#) [2560-220-2031](#) [27964-38T112](#) [2M809-118](#) [97-67-36-20](#) [AIC12-16P](#) [AIC16-18PG](#) [AIC16-20PG](#) [AIC4-4PG](#) [CE102S-18](#)  
[M39029/30-221](#) [M39029/77-430](#) [416-2020-088I](#) [MDM-21SH003B-F222](#) [BA-4120-50LD](#) [BACC47CN2](#) [BACC47CN3S](#) [BACC47GC3A](#)  
[BACC47GD3A](#) [BACC47GM1](#) [52G137 REV A](#) [CB2-18-21PS](#) [D-602-1116CS2727](#) [D-602-1117CS2727](#) [419-2082-102](#) [419-2085-102](#) [419-](#)  
[2087-001](#) [432703033601](#) [51003-16-55B2](#) [05-20-114-0-00-GM](#)