



DEUTSCH AUTOSPORT

ASHD 3-WAY CONNECTORS

HIGH-CURRENT CONNECTORS FOR 3-PHASE POWER SYSTEMS

ASHD 3-WAY CONNECTORS

High-Current Connectors for 3-Phase Power Systems



Expanding our range of ASHD power connectors, the new 3-way version is designed for 3-phase electric motors or generators to meet the growing need of hybrid racecars. The connectors use three 4 AWG contacts for power and two 20 AWG signal contacts for a safety loop.

APPLICATIONS

- Motor/Generator Connections
- Hybrid Racecars

ENVIRONMENTAL/MECHANICAL

Operating Temperatures: -55°C to +175°C

Durability: 500 mating cycles

MATERIALS

Shell: High-strength aluminum alloy, black zinc finish

Insert: Thermoplastic

Seals: Fluorinated silicone

Contacts: Gold-plated copper

ELECTRICAL

Dielectric Withstanding Voltage: Current leakage less than 2 mA at 1500 VAC

Contact Current Rating (Max.)

4 AWG Contact: 200 A

20 AWG Contact: 7.5 A

HEAVY DUTY

- Autosport design
- Positive locking coupling mechanism for excellent vibration resistance
- Environmentally sealed

WEIGHT SAVINGS

- Lower weight alternative to 4-way connectors

SAFE HANDLING

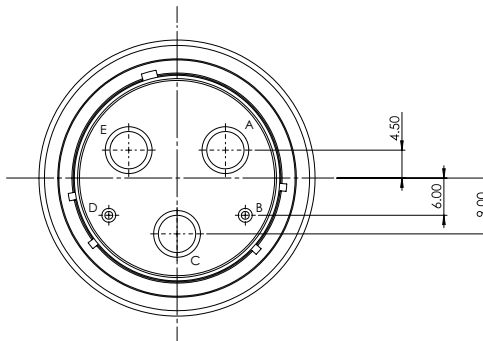
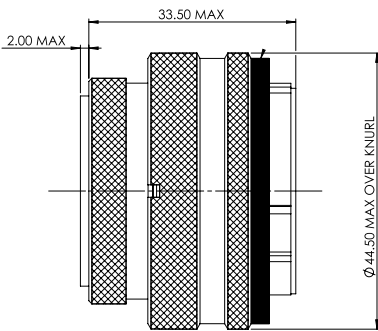
- Size 20 signal contacts designed for a safety loop application
- Early Break/Late Mate on signal contacts for safety

COMPATIBLE

- Uses existing ASHD shell for easy integration/replacement
- Uses existing ASHD pin and socket contacts for power and signal
- Accommodates cable from 16 mm² to 35 mm² in diameter

ASHD 3-Way Connectors

Plug Connector

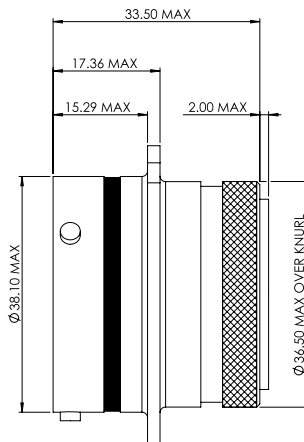
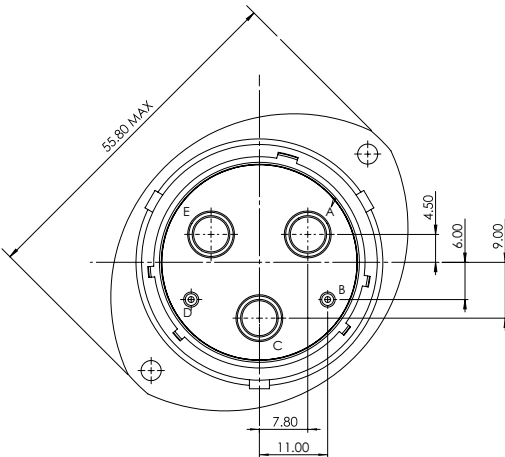


ASHD 024 - 34220 S N - 025

- Wire Size
 - 016 = 16 mm²
 - 025 = 25 mm²
 - 035 = 35 mm²
- Keying
 - N, A, B, C, D, E
- Contact Type
 - S = Socket
 - P = Pin
- ASHD 3-Way Receptacle Connector

ASHD624-34220SN-xxx

Receptacle Connector



ASHD 624 - 34220 S N - 025

- Wire Size
 - 016 = 16 mm²
 - 025 = 25 mm²
 - 035 = 35 mm²
- Keying
 - N, A, B, C, D, E
- Contact Type
 - S = Socket
 - P = Pin
- ASHD 3-Way Plug

ASHD024-34220SN-xxx

Contacts and Tooling

Size 20 Contacts

Socket	Pin	Filler Plug	Ins/Ext Tool	Crimp Tool	Socket Positioner	Pin Positioner
38943-20	38941-20	600300-20	M81969/14-10	M22520/2-01	M22520/2-10	M22520/2-10

Power Contacts for 4 AWG Wire

Wire Size	Socket	Pin	Ext Tool	Crimp Tool	Jaws
16 mm ²	611103-016	605734			605774
25 mm ²	611103-025	605660	610136-Tool	605773	605775
35 mm ²	611103-035	605735			605776

For More Information

Country	TE Technical Support Contact	DEUTSCH Autosport Distribution Network	Contact
Asia Pacific	+86 0 400 820 6015	GR Motorsport Electrics PTY Ltd	+61 398 004900
Austria	+43 1 905 601 228	contact TE Technical Support	/
Baltic Region	+46 8 5072 5000	contact TE Technical Support	/
Benelux	+31 73 6246 999	contact TE Technical Support	/
Czech Republic	+420 800 701 462	contact TE Technical Support	/
France	+33 1 34 20 86 86	Davum TMC	+33 1483 68401
Germany	+49 6251 133 1999	contact TE Technical Support	/
Hungary	+36 809 874 04	contact TE Technical Support	/
Italy	+39 011 401 2632	AVIO Race S.r.L	+39 0597700253
Japan	contact DEUTSCH Distributor	Global Active Technology	+81 42 945 1515
Nordic	+46 8 5072 5000	contact TE Technical Support	/
North America	+1 (800) 522 6752	I S Motorsport Inc	+1 317 244 6643
		Cosworth Electronics Inc	+1 317 259 8900
Poland	+48 800 702 309	contact TE Technical Support	/
Russia	+7495 790 790 2	contact TE Technical Support	/
Spain/Portugal	+34 93-2910366	contact TE Technical Support	/
Switzerland	+41 52 633 66 26	contact TE Technical Support	/
United Kingdom	+44 800 267 666	Servo Interconnect Ltd	+44 (0) 1424 857 088
	+44 (0) 1424 857 088	contact TE Technical Support	/

Follow us on Twitter for all the latest product news @TEConnectivity, and on Facebook, TEConnectivity.

Connect with one of our Subject Matter Experts at www.DesignSmarterFaster.com

Email: autosport@te.com

te.com

© 2014 Tyco Electronics Corporation. All Rights Reserved.

1-1773837-4 ADM/RRD 2.5M 07/2014

DEUTSCH, TE Connectivity, TE connectivity (logo) and TE (logo) are trademarks of the TE Connectivity group of companies and its licensors.

Other product or company names mentioned herein may be trademarks of their respective owners.

While TE has made every reasonable effort to ensure the accuracy of the information herein, nothing herein constitutes any guarantee that such information is error-free, or any other representation, warranty or guarantee that the information is accurate, correct, reliable or current. The TE entity issuing this publication reserves the right to make any adjustments to the information contained herein at any time without notice. All implied warranties regarding the information contained herein, including, but not limited to, any implied warranties of merchantability or fitness for a particular purpose are expressly disclaimed. The dimensions herein are for reference purposes only and are subject to change without notice. Specifications are subject to change without notice.

Consult TE for the latest dimensions and design specifications.

X-ON Electronics

Largest Supplier of Electrical and Electronic Components

Click to view similar products for [Heavy Duty Power Connectors](#) category:

Click to view products by [TE Connectivity](#) manufacturer:

Other Similar products are found below :

[1424439](#) [1424438](#) [09330062652](#) [2-8675P1](#) [605601-1](#) [6340G1](#) [6341G1](#) [6360G1](#) [6373G1](#) [6374g2](#) [6396G1](#) [647757-1](#) [66394-4](#) [6643411-1](#)
[6646058-2](#) [6646137-1](#) [6646138-1](#) [6646348-1](#) [6646479-1](#) [6646608-1](#) [6646786-1](#) [6646940-1](#) [6651091-1](#) [6651525-1](#) [6651529-1](#) [6651778-1](#)
[6651788-1](#) [696465-1](#) [696475-1](#) [73000005059](#) [73000005349](#) [73000005642](#) [73080255059](#) [73080965046](#) [765-15-0080A](#) [765-16-0080B](#)
[789.700-44](#) [789.700-54](#) [80-1010](#) [80-9](#) [827381-1](#) [829992-1](#) [902-77-02113](#) [PL00U-301-10D10](#) [PM103MOOLOO](#) [PM16S1620S32-50](#)
[PM212MOOLOO](#) [PM309FOOLOO](#) [PM324FOOLCH](#) [PMHPAF11S03](#)