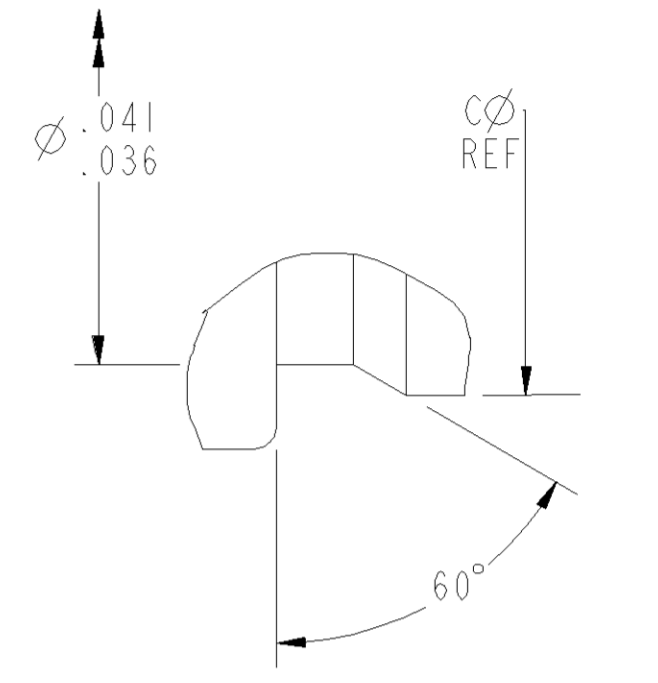
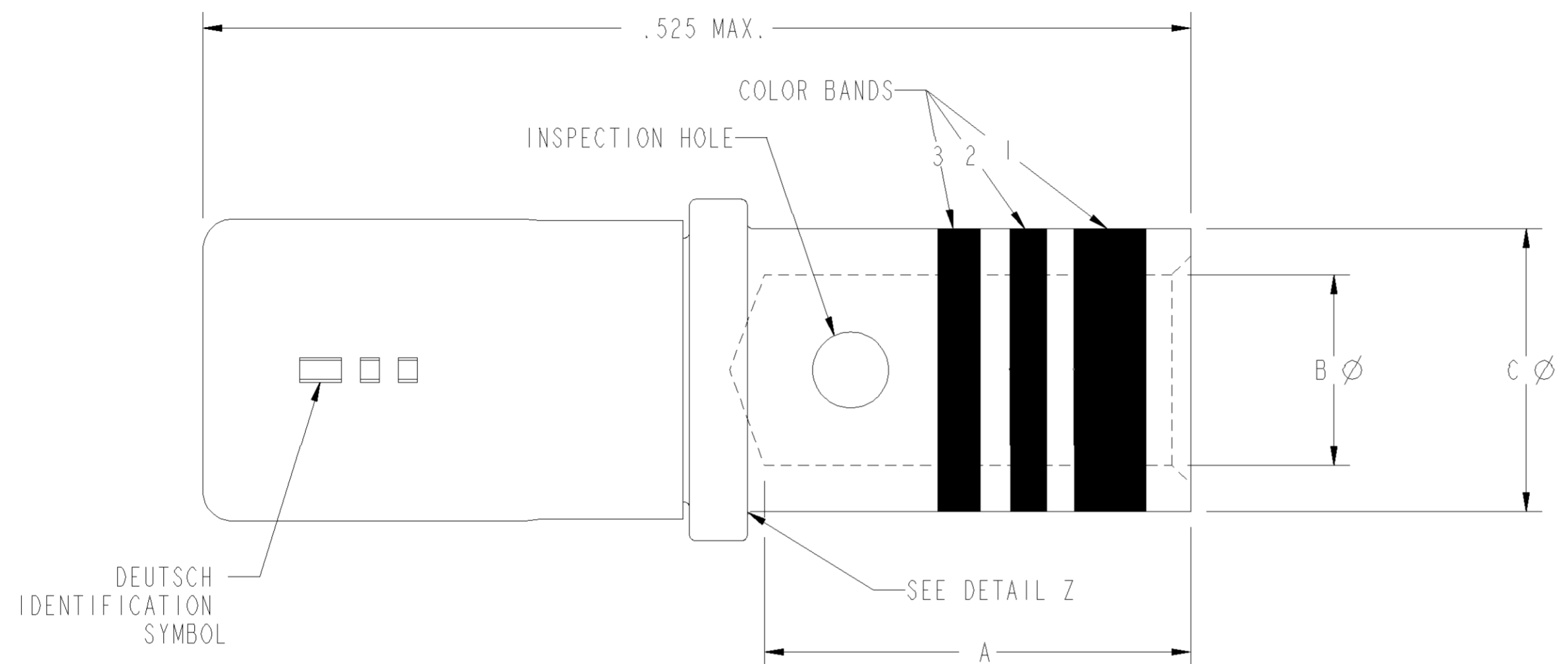


(A1)

PART NUMBER	PLATING SOCKET BODY	PLATING HOOD
38946-22/38946-20 38946-16/38946-12	.000050 MIN. GOLD PER MIL-G-45204 OVER NICKEL	PASSIVATED
38946-22L/38946-20L 38946-16L/38946-12L	SELECTIVE PLATING PER SAE-AS39029	PASSIVATED

REV	38946-**
A	

REVISION HISTORY			
REV	DESCRIPTION	DATE	APPROVED
N/C	NEW RELEASE PER E.O. A 5639	861009	A.C.
A	REVISED PER E.O. C8287	110708	J.P.F.



DETAIL Z
SIZE 22 D ONLY

DEUTSCH PART NO. **	MILITARY PART NO.	COLOR CODE			SIZE	WIRE GAGE RANGE	RECOMMENDED STRIP LENGTH	CRIMP TOOL		A MIN.	B MIN.	C MAX.
		1ST	2ND	3RD				MS TOOL BASIC CRIMPING	POSITIONER			
38946-22 38946-22L	MIL-C-39029/57-354	ORANGE	GREEN	YELLOW	22D	22, 24, 26, 28	.160 TO .190	M22520/2-01 M22520/7-01	M22520/2-06 M22520/7-06	.141	.0335	.048
38946-20 38946-20L	MIL-C-39029/57-357	ORANGE	GREEN	VIOLET	20	20, 22, 24	.230 TO .260	M22520/1-01 M22520/2-01 M22520/7-01	M22520/1-04 M22520/2-10 M22520/7-08	.209	.046	.070
38946-16 38946-16L	MIL-C-39029/57-358	ORANGE	GREEN	GRAY	16	16, 18, 20	.230 TO .260	M22520/1-01 M22520/7-01	M22520/1-04 M22520/7-04	.209	.066	.103
38946-12 38946-12L	MIL-C-39029/57-359	ORANGE	GREEN	WHITE	12	12 AND 14	.230 TO .260	M22520/1-01	M22520/1-04	.209	.098	.151

3. MATERIAL : SOCKET BODY- COPPER ALLOY.
HOOD- STAINLESS STEEL
2. FINISH: SEE TABLE (A2)
1. DIMENSION ARE IN INCHES UNLESS OTHERWISE SPECIFIED.

NOTES: UNLESS OTHERWISE SPECIFIED.

TOLERANCE UNLESS OTHERWISE SPECIFIED
DIMENSIONS ARE IN INCHES
DECIMALS .XXX±.005; .XXXX±.0005
ANGLES: X° ±.5°; X.X° ±.25°
T.I.R. .010
PARTS TO BE FREE OF BURRS & SHARP EDGES

THIRD ANGLE PROJECTION

SIGNATURE & DATE		
DR	J.P.	861010
CHK	A.C.	861030
PE	L.F.	861010
APPD	A.R.	110708
MATERIAL		
FINISH		
MATERIAL CODE		

ALL SHEETS ARE THE SAME REVISION STATUS

DEUTSCH
DEFENSE/AEROSPACE OPERATION
250 EDDIE JONES WAY
OCEANSIDE, CA 92058

TITLE: CONTACT SOCKET CRIMP TYPE MIL-C-39029/57 ENVELOPE

SIZE C	CAGE CODE 11139	DWG NO 38946-**
SCALE 1.000	WEIGHT	SHEET 1 OF 1

X-ON Electronics

Largest Supplier of Electrical and Electronic Components

Click to view similar products for [Circular MIL Spec Contacts](#) category:

Click to view products by [TE Connectivity](#) manufacturer:

Other Similar products are found below :

[006-0984-20](#) [006-1186-20](#) [006-1189-20](#) [601101N004](#) [CT1LC22-22SS](#) [CT2-20-8SS](#) [CT6F36-10PCA152](#) [M39029/18-179](#) [M39029/30-222](#)
[M39029/31-235](#) [M39029/48-318](#) [M39029/73-397](#) [M39029/9-133](#) [M39029/9-134](#) [M5000-054-0020L](#) [809-023](#) [811393-000](#) [97-45-1418P-](#)
[5\(920\)](#) [97-45-1418S-4](#) [97-45-1622P-5](#) [97-45-1622S-4\(920\)](#) [97-45-1622S-5](#) [97-55-1622S-5](#) [D-602-0104CS076](#) [D-602-0106CS076](#) [AIC12-](#)
[10P](#) [AIC12-14P](#) [AIC16-16PG](#) [AIC16-2024SG](#) [AIC16S-16PG](#) [AIC8-12P](#) [AIC8-12S](#) [AIC8-8SG](#) [1495044-1](#) [MS3101F22-22SF187](#) [162GB-](#)
[149-20000-05](#) [BACC47CP2T](#) [BACC47DP4](#) [BACC47GC1A](#) [BACC47GN1](#) [173-900245-91](#) [CA02R28-12PA152F80](#) [CA06R28-12PA152F80](#)
[21-033012-001](#) [21-033122-546](#) [21-033122-563](#) [21-033190-071](#) [21-033198-010](#) [21-033385-071](#) [21-033387-031](#)