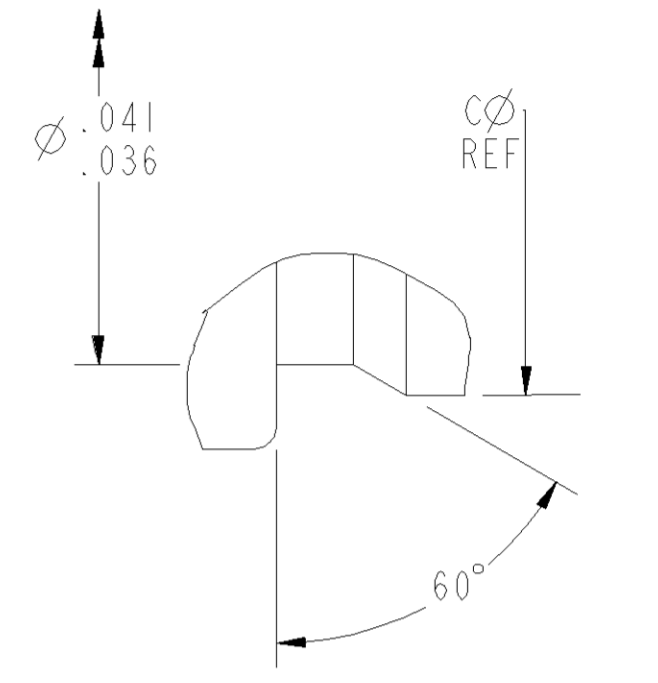
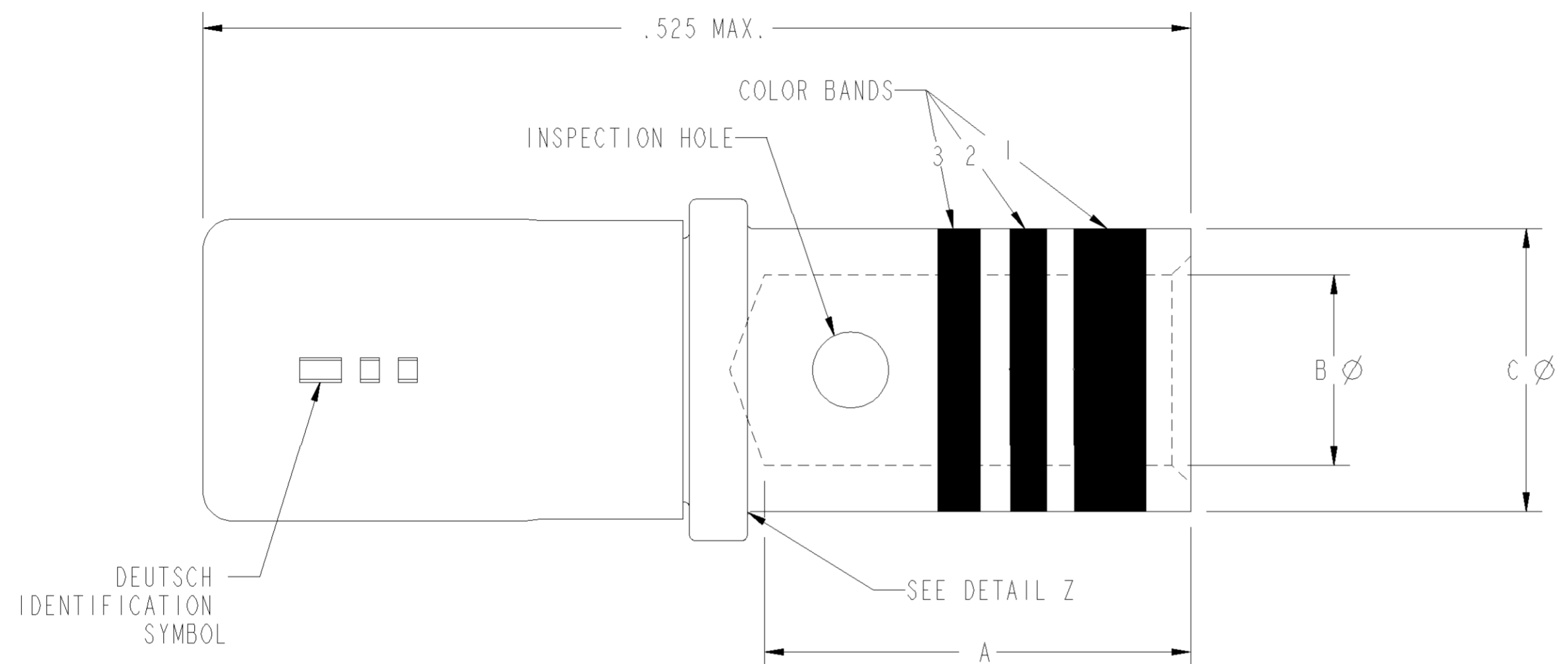


(A1)

PART NUMBER	PLATING SOCKET BODY	PLATING HOOD
38946-22/38946-20 38946-16/38946-12	.000050 MIN. GOLD PER MIL-G-45204 OVER NICKEL	PASSIVATED
38946-22L/38946-20L 38946-16L/38946-12L	SELECTIVE PLATING PER SAE-AS39029	PASSIVATED

REV	38946-**
A	

REVISION HISTORY			
REV	DESCRIPTION	DATE	APPROVED
N/C	NEW RELEASE PER E.O. A 5639	861009	A.C.
A	REVISED PER E.O. C8287	110708	J.P.F.



DETAIL Z
SIZE 22 D ONLY

DEUTSCH PART NO. **	MILITARY PART NO.	COLOR CODE			SIZE	WIRE GAGE RANGE	RECOMMENDED STRIP LENGTH	CRIMP TOOL		A MIN.	B MIN.	C MAX.
		1ST	2ND	3RD				MS TOOL BASIC CRIMPING	POSITIONER			
38946-22 38946-22L	MIL-C-39029/57-354	ORANGE	GREEN	YELLOW	22D	22, 24, 26, 28	.160 TO .190	M22520/2-01 M22520/7-01	M22520/2-06 M22520/7-06	.141	.0335	.048
38946-20 38946-20L	MIL-C-39029/57-357	ORANGE	GREEN	VIOLET	20	20, 22, 24	.230 TO .260	M22520/1-01 M22520/2-01 M22520/7-01	M22520/1-04 M22520/2-10 M22520/7-08	.209	.046	.070
38946-16 38946-16L	MIL-C-39029/57-358	ORANGE	GREEN	GRAY	16	16, 18, 20	.230 TO .260	M22520/1-01 M22520/7-01	M22520/1-04 M22520/7-04	.209	.066	.103
38946-12 38946-12L	MIL-C-39029/57-359	ORANGE	GREEN	WHITE	12	12 AND 14	.230 TO .260	M22520/1-01	M22520/1-04	.209	.098	.151

3. MATERIAL : SOCKET BODY- COPPER ALLOY.
HOOD- STAINLESS STEEL
2. FINISH: SEE TABLE (A2)
1. DIMENSION ARE IN INCHES UNLESS OTHERWISE SPECIFIED.

NOTES: UNLESS OTHERWISE SPECIFIED.

TOLERANCE UNLESS OTHERWISE SPECIFIED
DIMENSIONS ARE IN INCHES
DECIMALS .xxx±.005; .xxxx±.0005
ANGLES: X° ±.5°; X.X° ±.25°
T.I.R. .010
PARTS TO BE FREE OF BURRS & SHARP EDGES

THIRD ANGLE PROJECTION

SIGNATURE & DATE		
DR	J.P.	861010
CHK	A.C.	861030
PE	L.F.	861010
APPD	A.R.	110708
MATERIAL		
FINISH		
MATERIAL CODE		

ALL SHEETS ARE THE SAME REVISION STATUS

DEUTSCH
DEFENSE/AEROSPACE OPERATION
250 EDDIE JONES WAY
OCEANSIDE, CA 92058

TITLE: CONTACT
SOCKET CRIMP TYPE
MIL-C-39029/57
ENVELOPE

SIZE C	CAGE CODE 11139	DWG NO 38946-**
SCALE 1.000	WEIGHT	SHEET 1 OF 1

X-ON Electronics

Largest Supplier of Electrical and Electronic Components

Click to view similar products for [Circular MIL Spec Contacts](#) category:

Click to view products by [TE Connectivity](#) manufacturer:

Other Similar products are found below :

[006-1189-20](#) [71-VEAM](#) [809-023](#) [809-111](#) [811393-000](#) [850-014](#) [97-45-1418P-4\(0920\)](#) [97-45-1418S-4](#) [D-602-0106CS076](#) [AIC12-14P](#)
[AIC16-16PG](#) [AIC8-12P](#) [AIC8-8SG](#) [AIC8-8SRAD](#) [1495044-1](#) [BACC47CP2T](#) [BACC47DP4](#) [BACC47GC1A](#) [BACC47GN1](#) [16968/2C](#)
[241611N001](#) [2560-220-2031](#) [27964-38T112](#) [2M809-118](#) [97-67-36-20](#) [AIC12-16P](#) [AIC16-14SG](#) [AIC16-18PG](#) [AIC16-18S](#) [AIC16-20PG](#)
[AIC4-4PG](#) [CE102S-18](#) [M39029/30-221](#) [M39029/77-430](#) [416-2020-088I](#) [MDM-21SH003B-F222](#) [BA-4120-50LD](#) [BACC47CN2](#)
[BACC47CN3S](#) [BACC47GC3A](#) [BACC47GD3A](#) [BACC47GM1](#) [52G137 REV A](#) [CB2-18-21PS](#) [D-602-1116CS2727](#) [D-602-1117CS2727](#)
[419-2082-102](#) [419-2085-102](#) [419-2087-001](#) [432703033601](#)