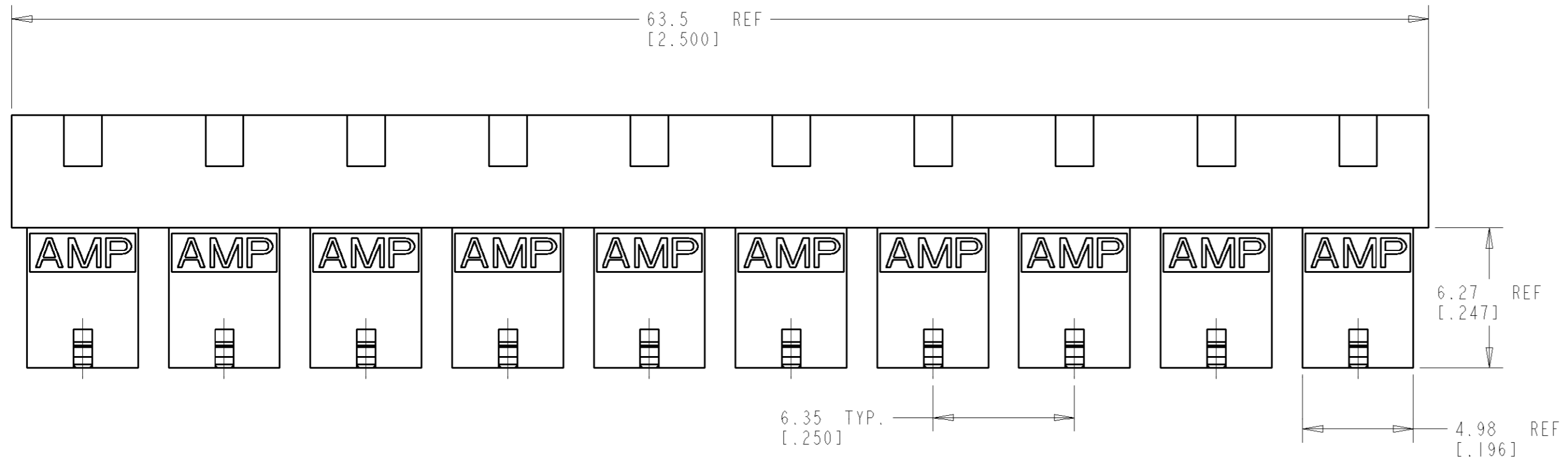
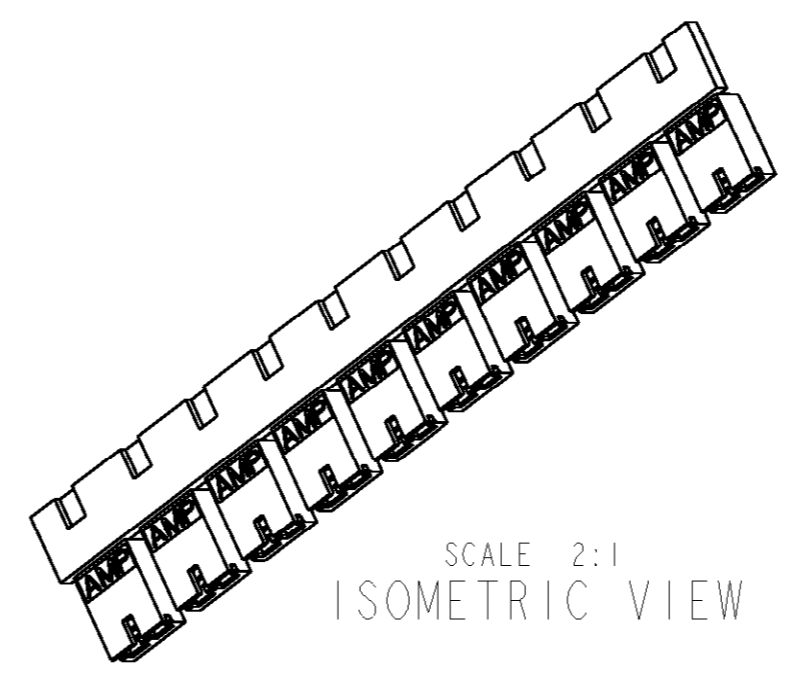
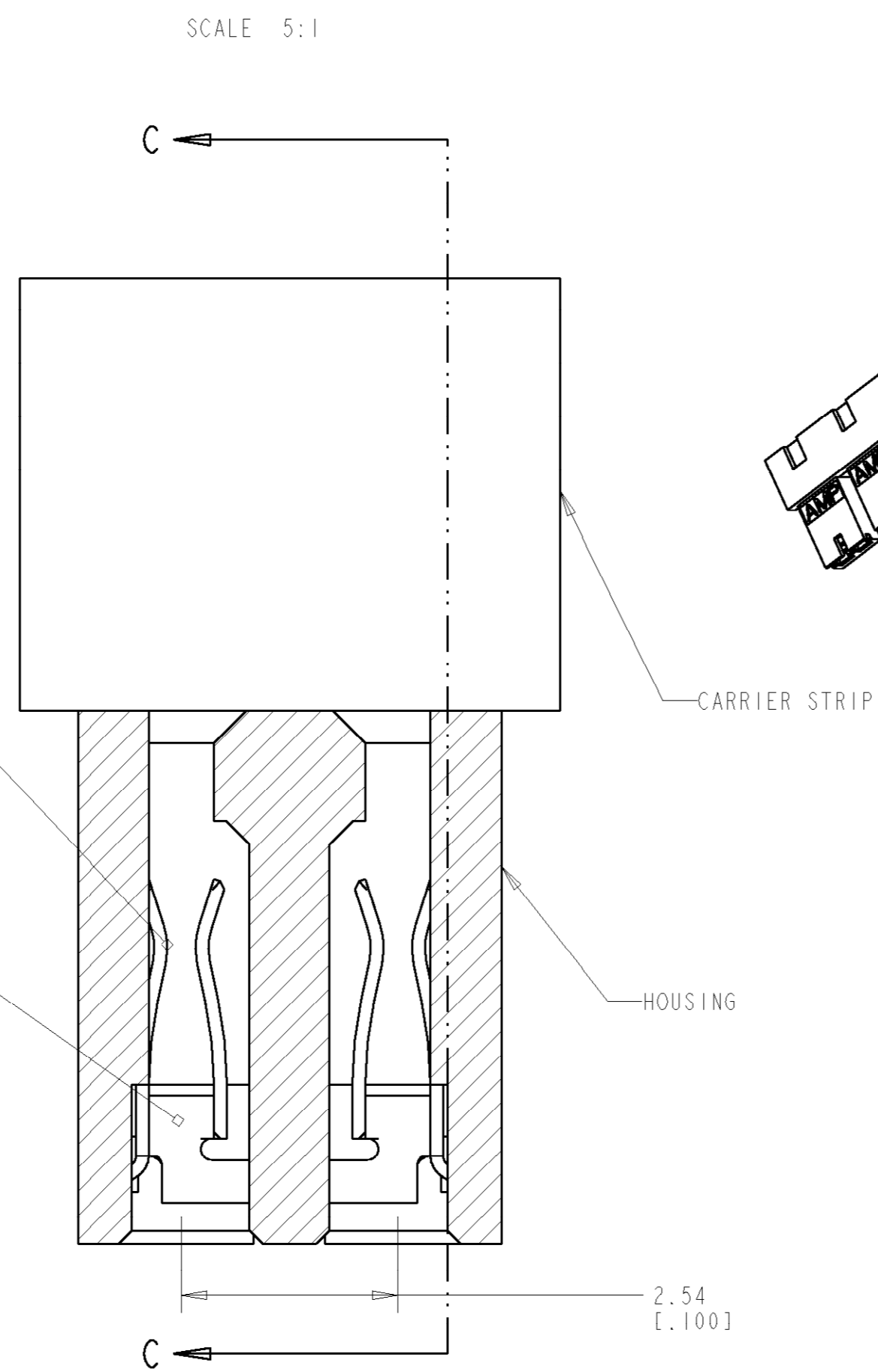
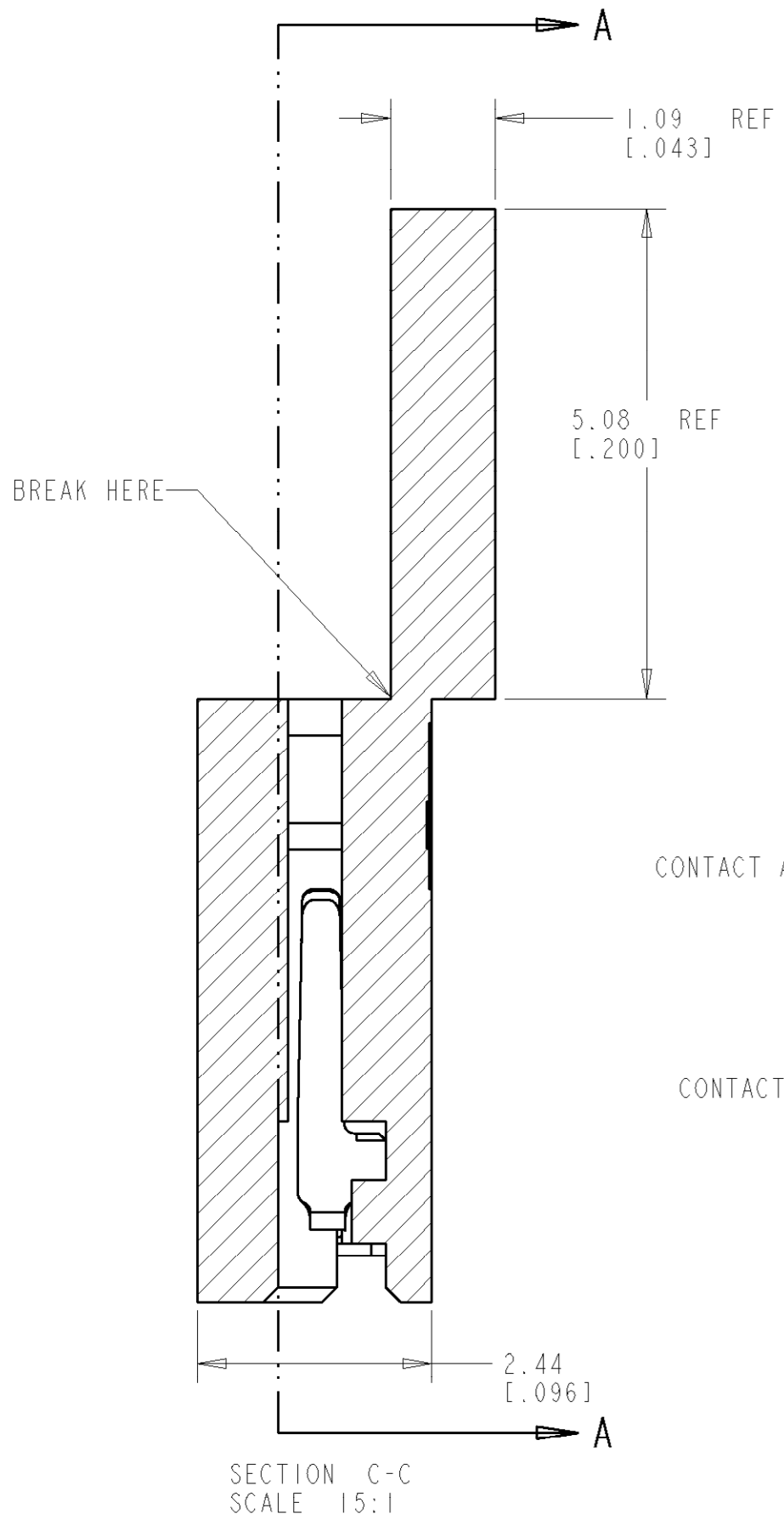


LOC	DIST	REVISIONS					
AG	53	P	LTR	DESCRIPTION	DATE	DWN	APVD
		A3		REVISED PER ECO-15-004656	30MAR2015	NK	MM



- MATERIAL:
HOUSING: GLASS-FILLED POLYESTER
CONTACT: PHOSPHOR BRONZE
 - CONNECTOR MATES WITH 0.64 [0.025] SQUARE POSTS.
 - PART DENOTES INDIVIDUAL TWO POSITION SHUNT WHICH IS PACKAGED ON BREAKAWAY COMBS OF TEN SHUNTS.
- 4 ASSEMBLIES ARE DELIVERED IN STICKS OF TEN PARTS.
 - 5 FINISH: 1.27µm [0.000050] MIN NICKEL UNDERPLATE OVERALL.
 - 6 FINISH: 0.76µm [0.000030] MIN GOLD IN CONTACT AREA.
 - 7 FINISH: 0.38µm [0.000015] MIN GOLD IN CONTACT AREA.



YELLOW	15AU	390088-6	4	5	7
YELLOW	30AU	390088-5	4	5	6
BLUE	15AU	390088-4	4	5	7
BLUE	30AU	390088-3	4	5	6
BLACK	15AU	390088-2	4	5	7
BLACK	30AU	390088-1	4	5	6
HOUSING COLOR	GOLD PLATING	PART NUMBER	NOTES		

DIMENSIONS: MM [INCH]		TOLERANCES UNLESS OTHERWISE SPECIFIED:		DWN: 22-Sep-99 D. WIEBKING	
SEE NOTE 1		SEE NOTE 3		CHK: 14-NOV-97 DGH	
MATERIAL: -		FINISH: -		APVD: 14-NOV-97 PPS	
CUSTOMER DRAWING		WEIGHT: -		PRODUCT SPEC: -	
NAME: SHUNT, DUAL BEAM .100 CL				APPLICATION SPEC: -	SIZE: A2
DRAWING NO: 390088				SCALE: SHT	SHEET: 1 OF 1
REV: A3					

390088

X-ON Electronics

Largest Supplier of Electrical and Electronic Components

Click to view similar products for [Headers & Wire Housings](#) category:

Click to view products by [TE Connectivity](#) manufacturer:

Other Similar products are found below :

[892-18-020-10-001101](#) [58102-G61-06LF](#) [582553-1](#) [0009485154](#) [009176003701906](#) [0050291907](#) [LY20-4P-DT1-P1E-BR](#) [02.125.8002.8](#)
[609-3404](#) [61062-3](#) [61082-181009](#) [622-3653LF](#) [63453-116](#) [636-1030](#) [636-1427](#) [636-3427](#) [636-4007](#) [641938-9](#) [641991-4](#) [644827-2](#) [65817-010LF](#) [65817-015LF](#) [65863-015LF](#) [66207-023LF](#) [67095-007LF](#) [67601157](#) [68645-018](#) [68648-049](#) [70.362.1628.0](#) [70-4210](#) [70-4226B](#) [70-4853B](#) [707-5020](#) [707-5028](#) [71.350.2428.0](#) [71918-208LF](#) [71961-016LF](#) [733-134](#) [733-162](#) [754199-000](#) [760-3052](#) [787-8014-00](#) [79531-3000](#)
[FCN-360C032-B](#) [FCN-367T-T012/H](#) [FCN-723D010/2](#) [80.063.4001.1](#) [800-90-001-10-001000](#) [800-90-010-10-002000](#) [801-43-002-10-013000](#)