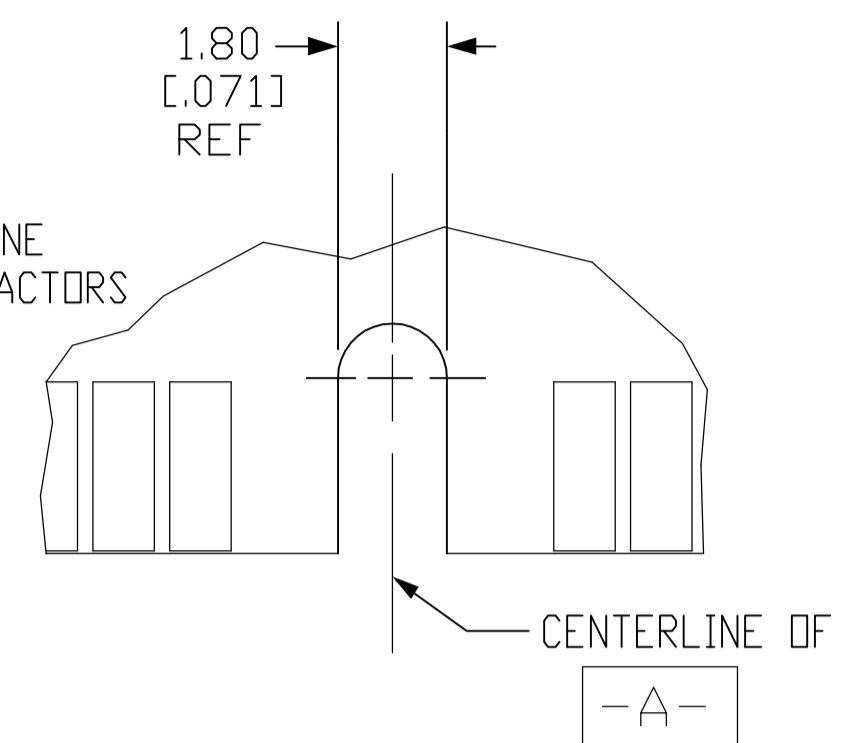
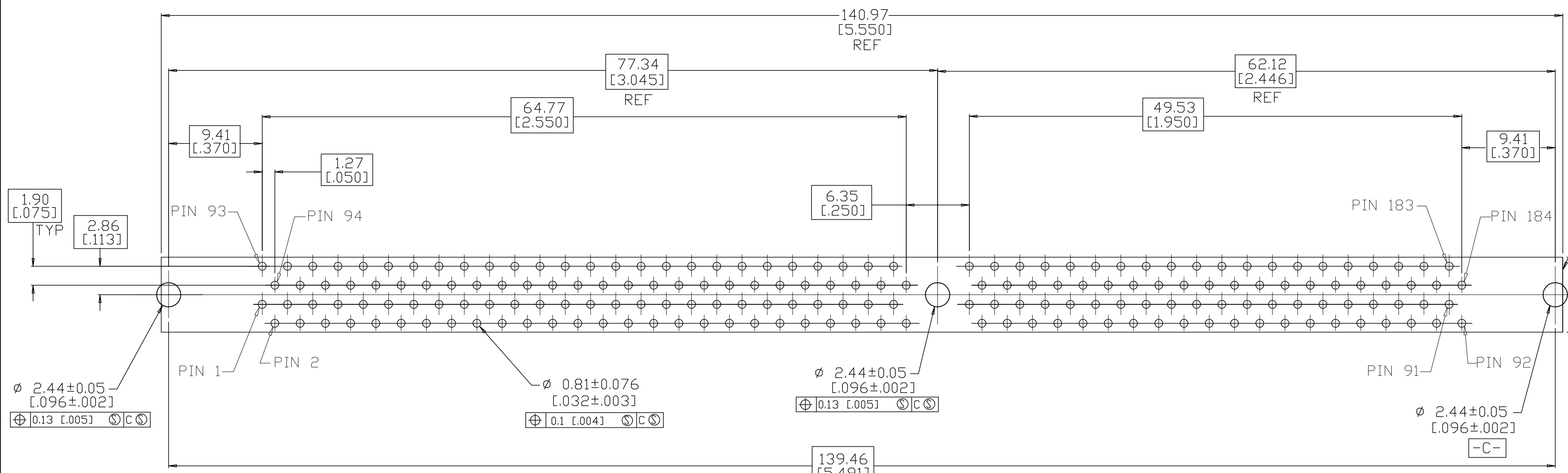


- ▲ MATERIAL HOUSING AND EXTRACTORS: GLASS FILLED HIGH TEMPERATURE NYLON. CONTACT: PHOS. BRONZE, CS1100, TEMPER H06. RETENTION POST: STAINLESS STEEL, AMP 100-309.
- ▲ FINISH CONTACT: NICKEL PLATE ALL OVER 0.00127-0.0019 [0.000050-0.000075] THICK PER AMP SPEC 112-25-2. GOLD PLATE IN INTERFACE AREA 0.00038 [0.000015] MIN THICK PER AMP SPEC 112-162-5. TIN LEAD PLATE IN SOLDER TAIL AREA .00381-.00635 [0.00150-.000250] THICK PER AMP SPEC 112-26-2.
- ▲ PART NUMBER WILL NOT HAVE METAL RETENTION POSTS.
- ▲ EXTRACTOR MATERIAL: POLYSULFONE, COLOR-AMBER, CLEAR.
- ▲ GOLD PLATE IN INTERFACE AREA 0.000076 [0.000003] MIN THICK PER AMP SPEC 112-162-5. NICKEL AND TIN LEAD PLATING SPECIFICATIONS WILL BE THE SAME AS NOTE 2.
- ▲ RETENTION POST: BRASS
- ▲ RETENTION POST WILL BE MADE FROM 1/4 HARD STAINLESS STEEL PER AMP 100-309.
- ▲ EXTRACTOR MATERIAL: GLASS-FILLED HIGH TEMPERATURE NYLON, COLOR-BLACK.
- ▲ GOLD PLATE IN INTERFACE AREA 0.000076 [0.000003] MIN THICK PER AMP SPEC 112-162-5 OVER 0.00254 [0.000100] MIN THICK NICKEL PER AMP SPEC 112-25-3.
- ▲ GOLD PLATE IN INTERFACE AREA 0.00038 [0.000015] MIN THICK PER AMP SPEC 112-162-5 OVER 0.00254 [0.000100] MIN THICK NICKEL PER AMP SPEC 112-25-3. MATTE TIN IN SOLDER TAIL AREA .00381-.00635 [0.00150-.000250] THICK PER AMP SPEC 112-65-1 OVER 0.00127-.00510 [0.000050-.000200] THICK NICKEL PER AMP SPEC 112-25-3.
- ▲ PRELIMINARY - NOT RELEASED FOR PRODUCTION

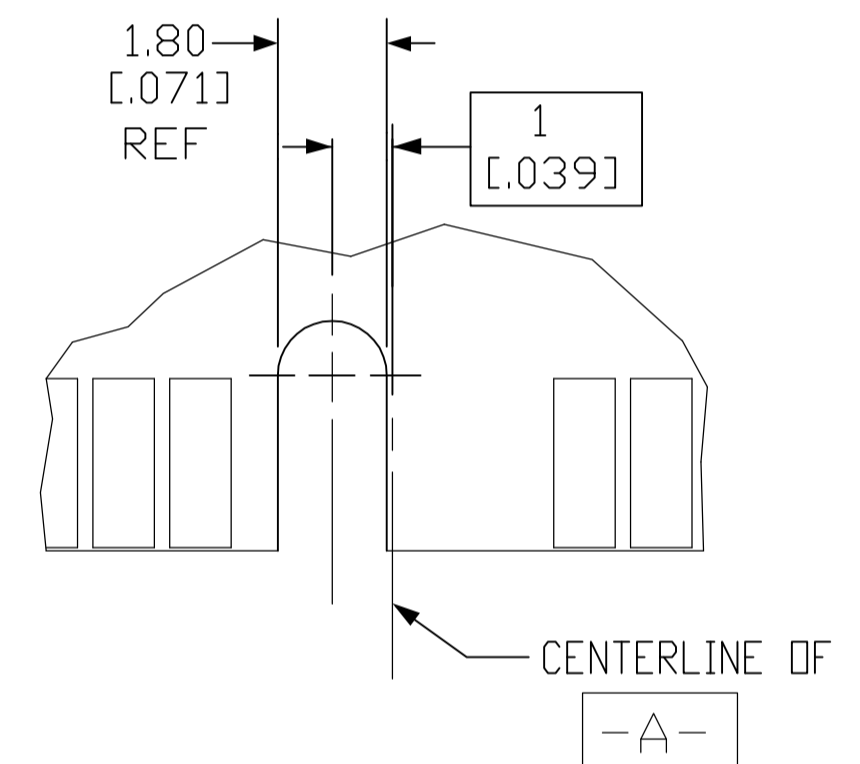
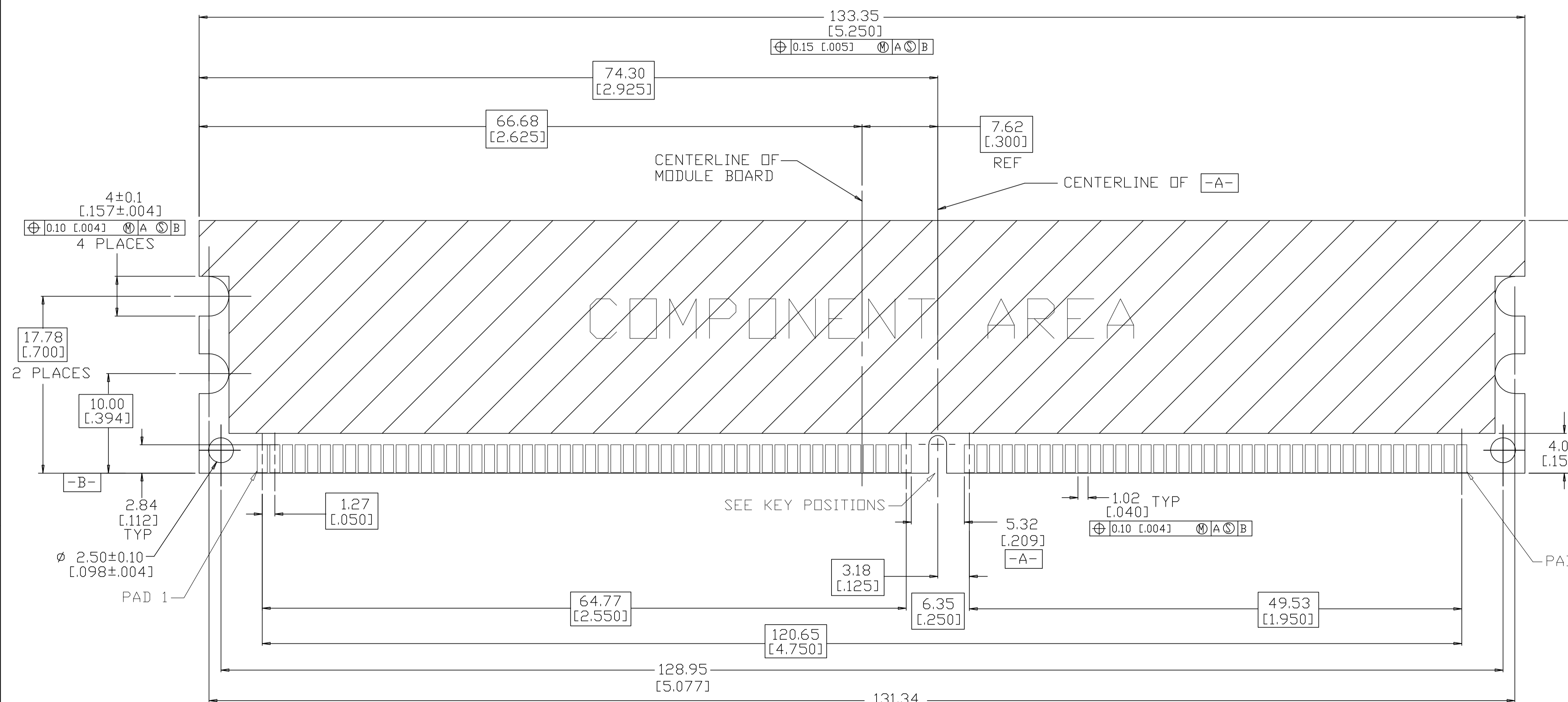
	1.07 [0.042]	3.81 [0.150]	DETAIL B	184 POSN. DIMM2P , 2.5V, POST-PLATE CONTACTS	8-390241-2	▲			
	1.07 [0.042]	3.81 [0.150]	DETAIL B	184 POSN. DIMM2P , 2.5V, POST-PLATED CONTACTS	8-390241-1	▲			
SUPERSEDED BY 5390241-9	1.07 [0.042]	2.79 [0.110]	DETAIL B	184 POSN. DIMM2P , 2.5V, PRE-PLATED CONTACTS	7-390241-1	▲			
	1.07 [0.042]	4.26 [0.168]	DETAIL B	184 POSN. DIMM2P , 2.5V, 30 GOLD PLATED CONTACTS	6-390241-1	▲			
SUPERSEDED BY 5390241-8	1.47 [0.058]	3.30 [0.130]	DETAIL B	184 POSN. DIMM2P , 2.5V, PRE-PLATED CONTACTS	5-390241-1	▲			
	1.07 [0.042]	2.79 [0.110]	DETAIL B	184 POSN. DIMM2P , 2.5V, PRE-PLATED CONTACTS	4-390241-1	▲			
	1.07 [0.042]	2.79 [0.110]	DETAIL B	184 POSN. DIMM2P , 2.5V, PRE-PLATED CONTACTS	3-390241-3	▲			
SUPERSEDED BY 5390241-6	1.07 [0.042]	2.79 [0.110]	DETAIL B	184 POSN. DIMM2P , 2.5V, PRE-PLATED CONTACTS	3-390241-1	▲			
	1.47 [0.058]	2.79 [0.110]	DETAIL A	184 POSN. DIMM2P , 1.8V, PRE-PLATED CONTACTS	2-390241-2	▲			
SUPERSEDED BY 5390241-5	1.47 [0.058]	2.79 [0.110]	DETAIL B	184 POSN. DIMM2P , 2.5V, PRE-PLATED CONTACTS	2-390241-1	▲			
SUPERSEDED BY 1-5390241-2	1.07 [0.042]	2.79 [0.110]	DETAIL A	184 POSN. DIMM2P , 1.8V, PRE-PLATED CONTACTS	1-390241-2	▲			
	1.07 [0.042]	2.79 [0.110]	DETAIL B	184 POSN. DIMM2P , 2.5V, PRE-PLATED CONTACTS	1-390241-1	▲			
	1.07 [0.042]	2.79 [0.110]	DETAIL B	184 POSN. DIMM2P , 2.5V, GOLD FLASH PLATED CONTACTS	390241-6	▲			
	1.07 [0.042]	3.30 [0.130]	DETAIL A	184 POSN. DIMM2P , 1.8V, PRE-PLATED CONTACTS	390241-5	▲			
	1.07 [0.042]	3.30 [0.130]	DETAIL B	184 POSN. DIMM2P , 2.5V, PRE-PLATED CONTACTS	390241-4	▲			
SUPERSEDED BY 5390241-3	1.07 [0.042]	2.79 [0.110]	DETAIL B	184 POSN. DIMM2P , 2.5V, PRE-PLATED CONTACTS	390241-3	▲			
SUPERSEDED BY 5390241-2	1.07 [0.042]	2.79 [0.110]	DETAIL A	184 POSN. DIMM2P , 1.8V, PRE-PLATED CONTACTS	390241-2	▲			
SUPERSEDED BY 5390241-1	1.07 [0.042]	2.79 [0.110]	DETAIL B	184 POSN. DIMM2P , 2.5V, PRE-PLATED CONTACTS	390241-1	▲			
	DIM "B"	SOLDER TAIL LENGTH DIM "A"	KEY POSITION	DESCRIPTION	PART NUMBER				

THIS DRAWING IS A CONTROLLED DOCUMENT.

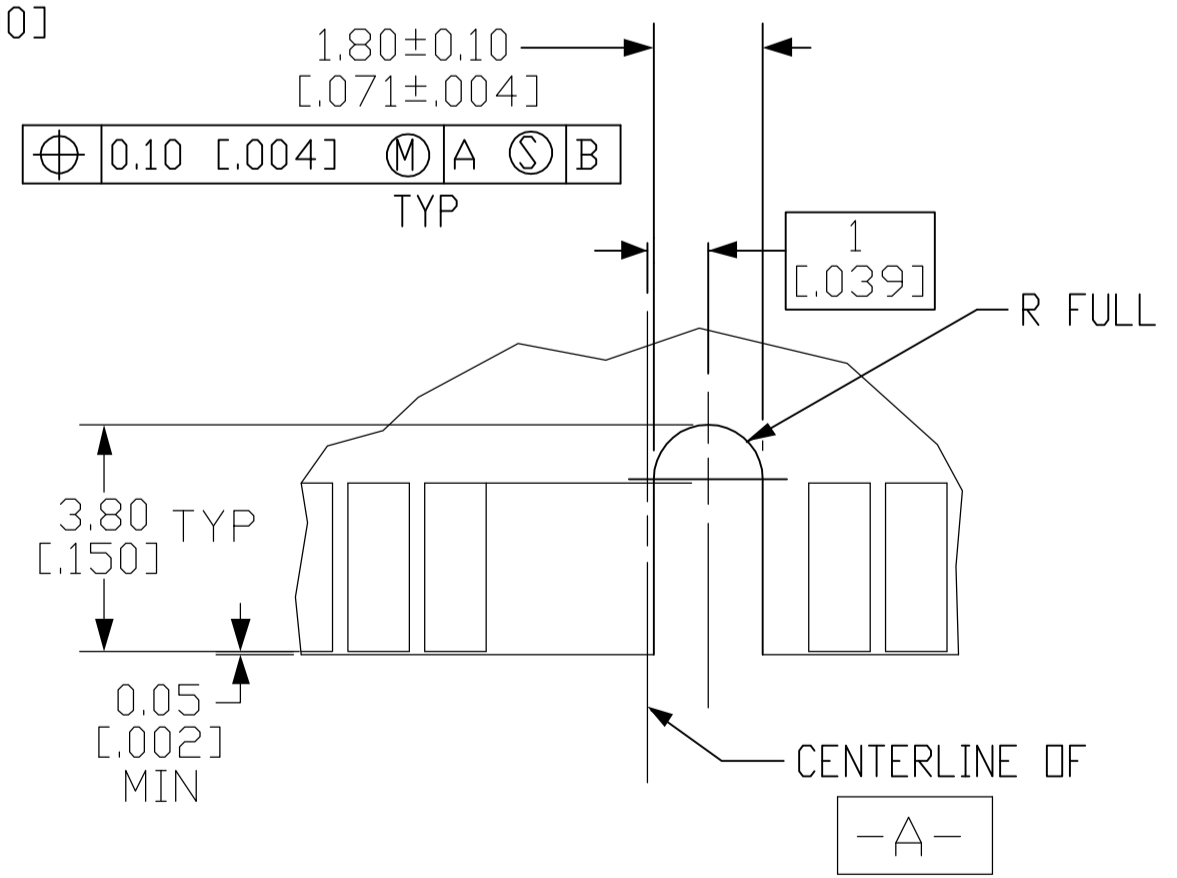
DIMENSIONS: MM [INCHES]	TOLERANCES UNLESS OTHERWISE SPECIFIED:	DIN A HOLT 21SEP01	tyco Electronics	Tyco Electronics Corporation
0 PLC ± -	1 PLC ± -	19NOV98		Shanghai, P.R.China, 200233
2 PLC ± 0.13 [0.005]	3 PLC ± -	19NOV98	NAME	
4 PLC ± -	ANGLES ± -		PRODUCT SPEC	SOCKET ASSEMBLY, DIMM2P
			APPLICATION SPEC	108-1753
			SIZE	114-1115
			WEIGHT	A1 00779 ©=390241
			CUSTOMER DRAWING	SCALE 4:1 SHEET 1 OF 2 REV Z



DETAIL A
SCALE 8:1



DETAIL B
SCALE 8:1



DETAIL C
SCALE 8:1

KEY POSITIONS

RECOMMENDED MODULE LAYOUT
SEE JEDEC SPEC MO-206 FOR COMPLETE MODULE DETAILS
1.27±0.10 [0.050±0.004] THICK ACROSS CONTACT PADS

THIS DRAWING IS A CONTROLLED DOCUMENT.		DWG: A.HOLT	21SEP01	tyco Electronics	Tyco Electronics Corporation Shanghai, P.R.China, 200233		
DIMENSIONS: MM [INCHES]		CHK: D.SHIRLING	24NOV98		NAME: SOCKET ASSEMBLY, DIMM2P 184 POSITION, DDR		
TOLERANCES UNLESS OTHERWISE SPECIFIED:		APPRO: D.SHIRLING		PRODUCT SPEC: 108-1753			
0 PLC ± -		1 PLC ± -		APPLICATION SPEC: 114-1115			
2 PLC ± 0.13 [0.005]		3 PLC ± -		SIZE: A1			
4 PLC ± -		ANGLES ± -		CAGE CODE: 00779			
FINISH: [Symbol]		MATERIAL: [Symbol]		DRAWING NO: 390241			
		WEIGHT: -		RESTRICTED TO: -			
		CUSTOMER DRAWING		SCALE: 1:1 SHEET 2 OF 2 REV Z			

X-ON Electronics

Largest Supplier of Electrical and Electronic Components

Click to view similar products for [IC & Component Sockets](#) category:

Click to view products by [TE Connectivity](#) manufacturer:

Other Similar products are found below :

[714-43-102-31-012000](#) [0066-3-17-15-30-14-02-0](#) [0134-0-15-15-32-27-04-0](#) [614-DG5](#) [6527-0-00-15-00-00-03-0](#) [670](#) [672](#) [673](#) [712-93-120-41-001000](#) [714-93-104-31-018000](#) [8059-4G1-LF](#) [807-22-001-10-001101](#) [807-22-001-10-003101](#) [807-22-001-10-004101](#) [807-22-001-10-006101](#) [807-22-001-30-011101](#) [807-22-001-30-012101](#) [807-22-001-30-013101](#) [807-22-001-30-014101](#) [8-1437531-4](#) [8150-6P10](#) [833-93-034-10-001000](#) [835-43-014-10-001000](#) [851-41-006-10-001000](#) [851-43-008-20-001000](#) [851-43-014-20-001000](#) [851-93-006-20-001000](#) [851-93-010-20-001000](#) [853-43-020-10-001000](#) [86.010.0053.0](#) [116-43-306-41-003000](#) [116-43-308-41-007000](#) [PX-68LCC](#) [PX-84LCC](#) [121-13-318-41-001000](#) [121-13-320-41-001000](#) [121-13-308-41-001000](#) [123-43-314-41-801000](#) [123-43-420-41-001000](#) [123-43-636-41-001000](#) [123-87-320-41-001101](#) [122-13-316-41-001000](#) [123-13-624-41-001000](#) [123-43-306-41-001000](#) [123-43-322-41-801000](#) [123-43-428-41-001000](#) [123-43-624-41-001000](#) [12-3513-11](#) [123-91-320-41-001000](#) [126-43-310-41-002000](#)