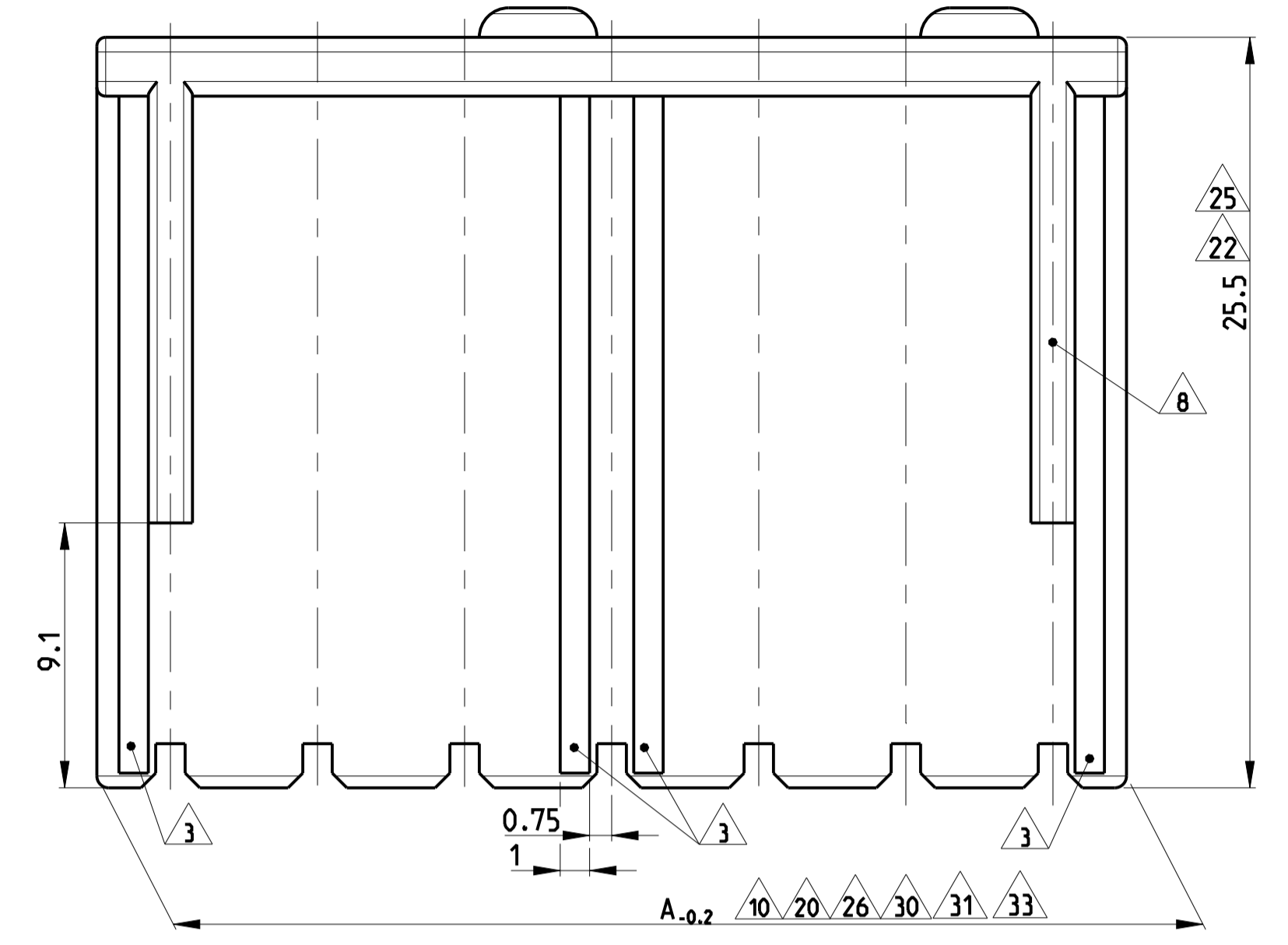
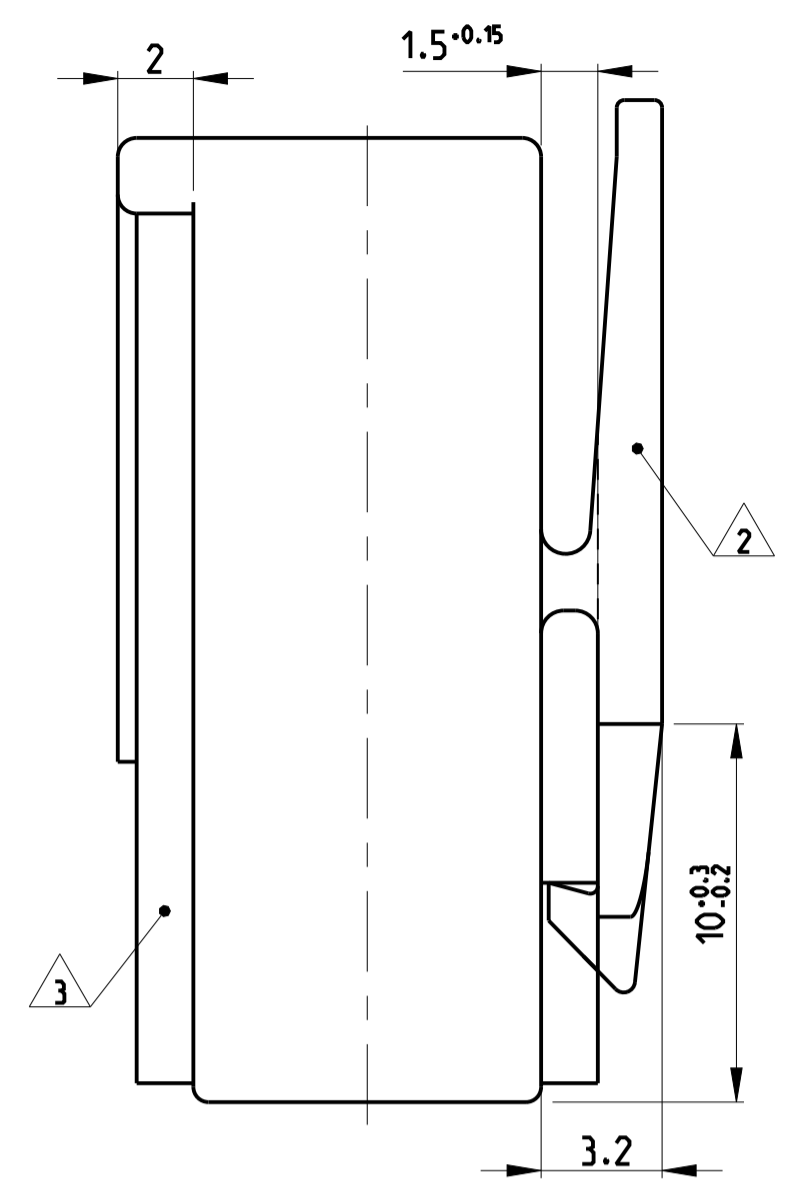
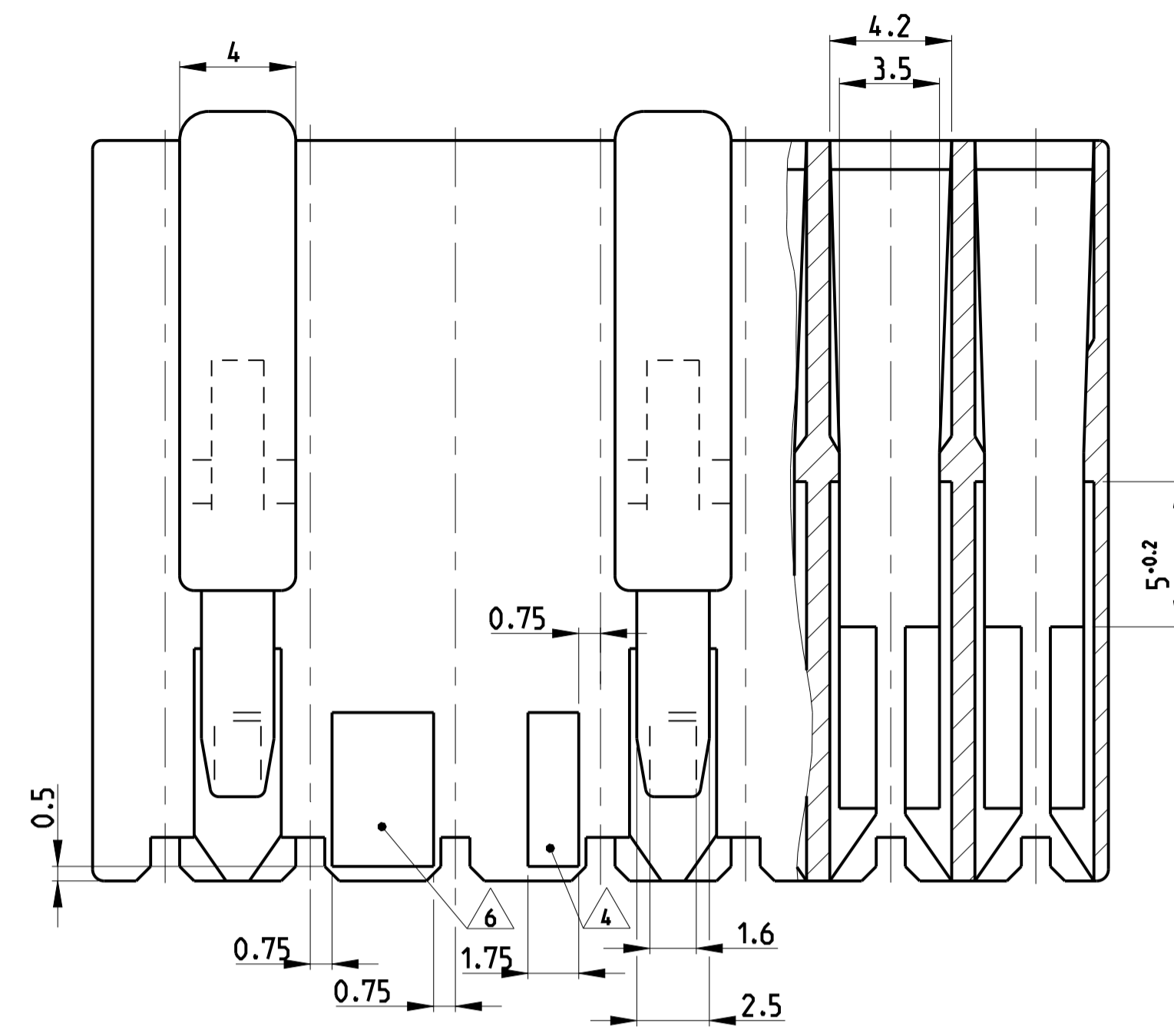
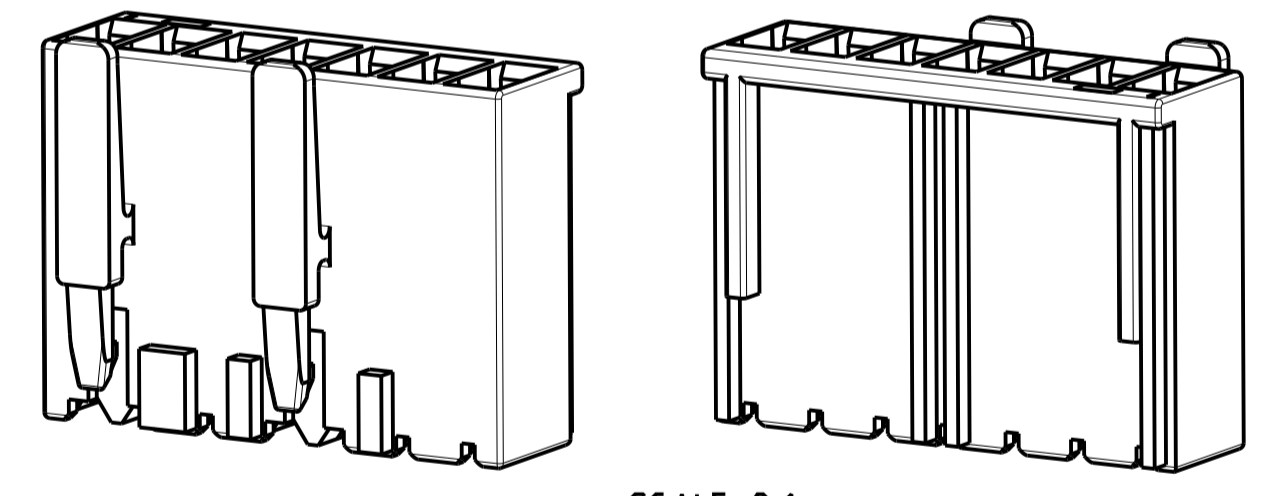
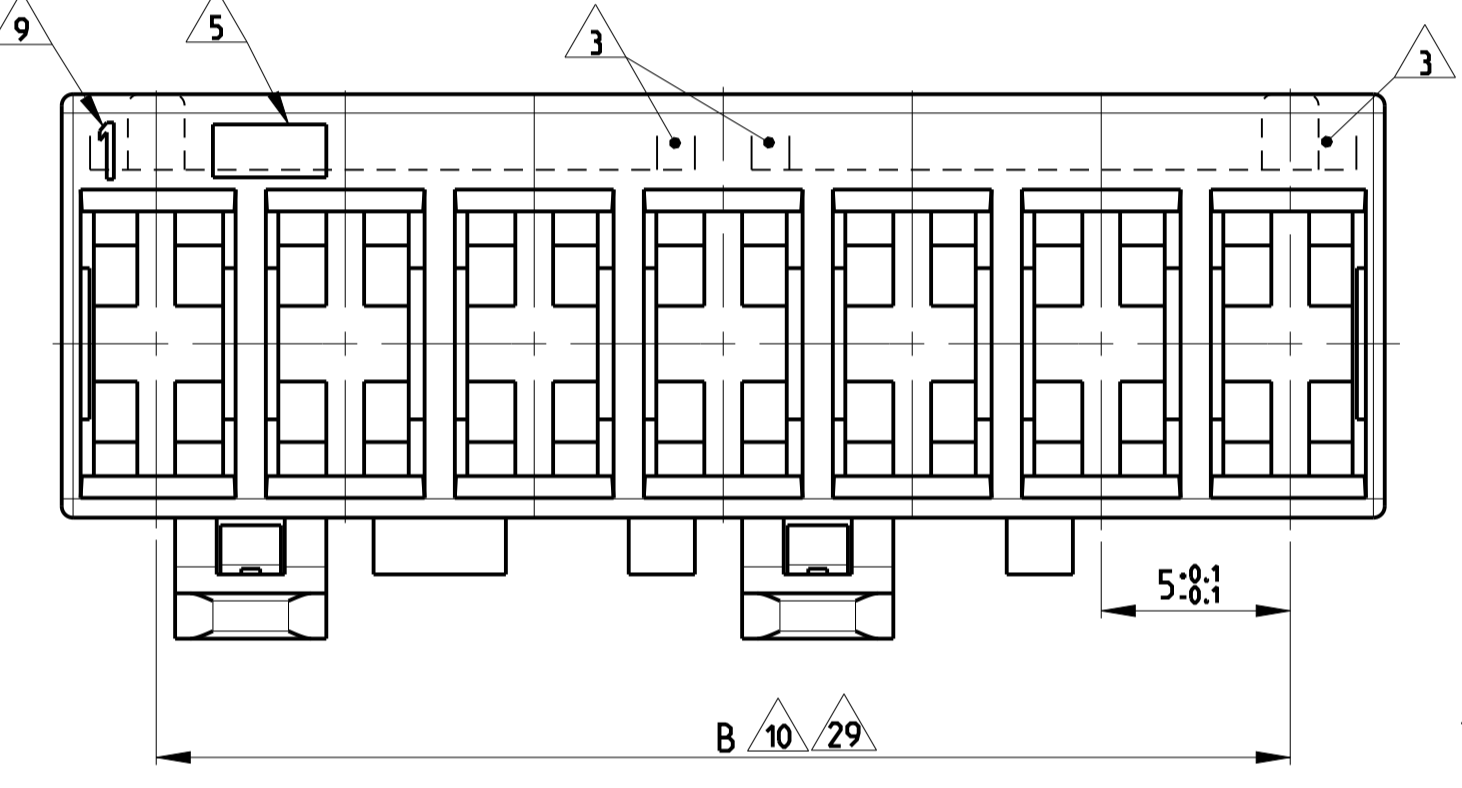
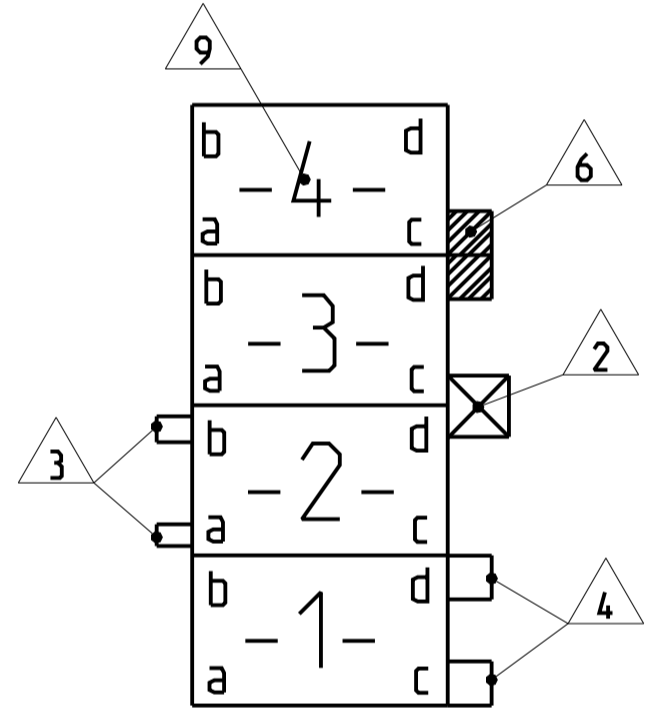
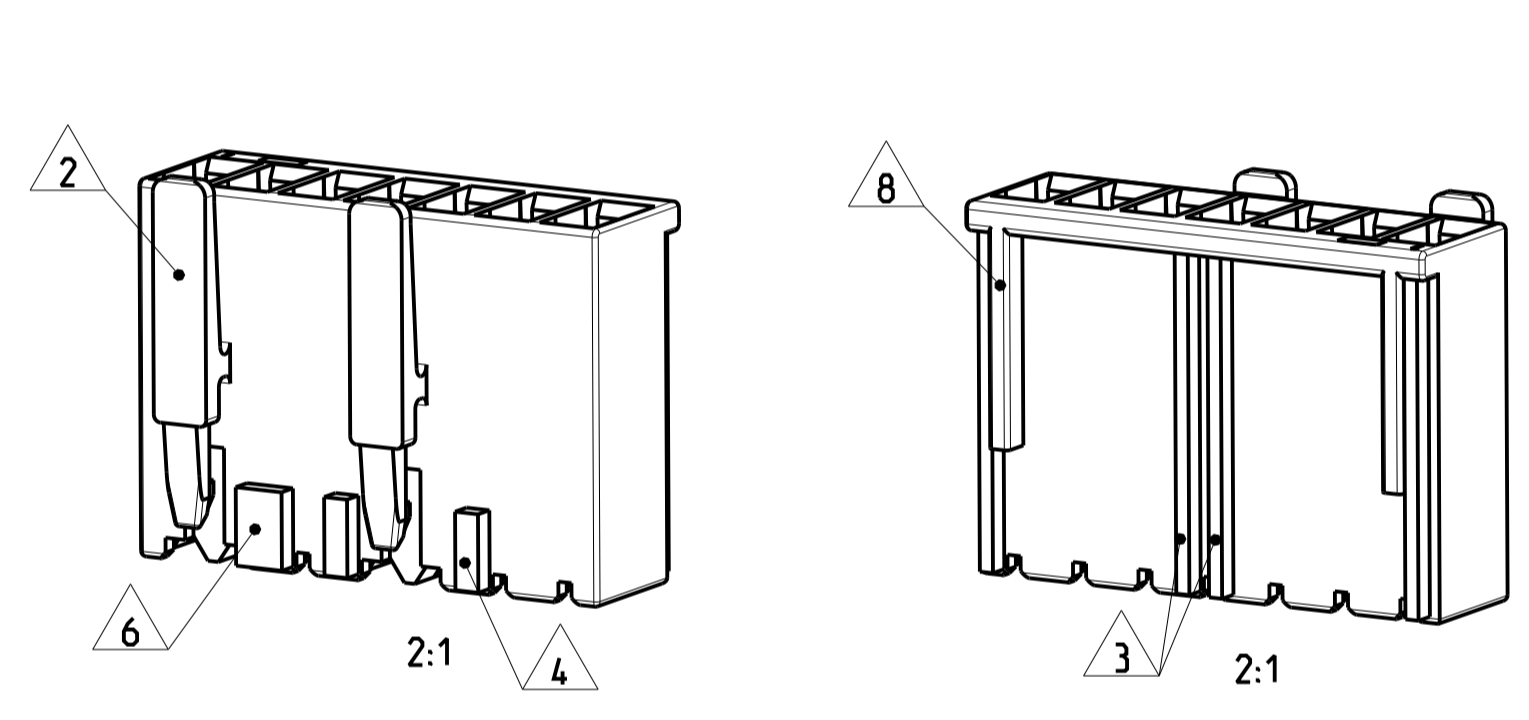


REVISONS		DATE	DWH	APVD
LOC	DIST			
A1	-			
B48	ECR-20-008727	22JAN2020	DC	FL
B49	ECN-20-100216	21JAN2020	DC	FL
B50	ECR-20-101113	22DEC2020	PJ	FL
B51	ECR-21-100139	12JAN2021	KD	FL



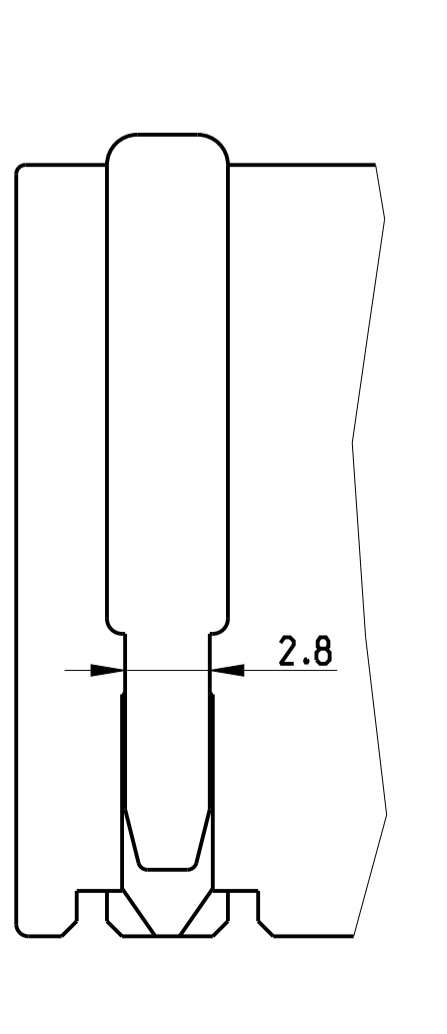
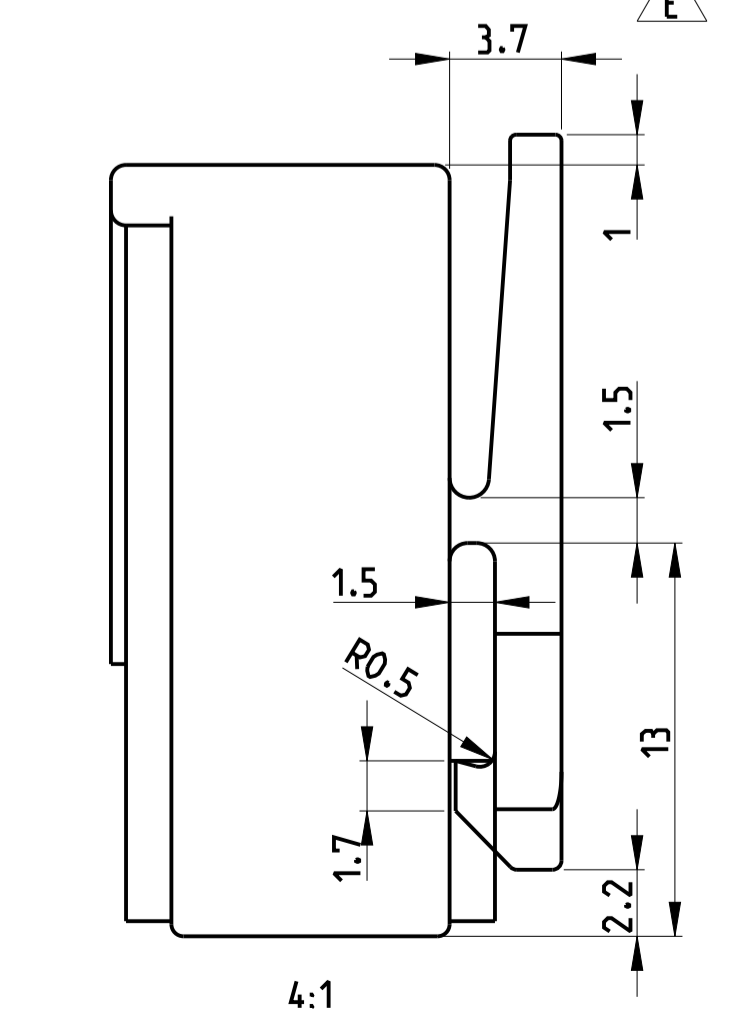
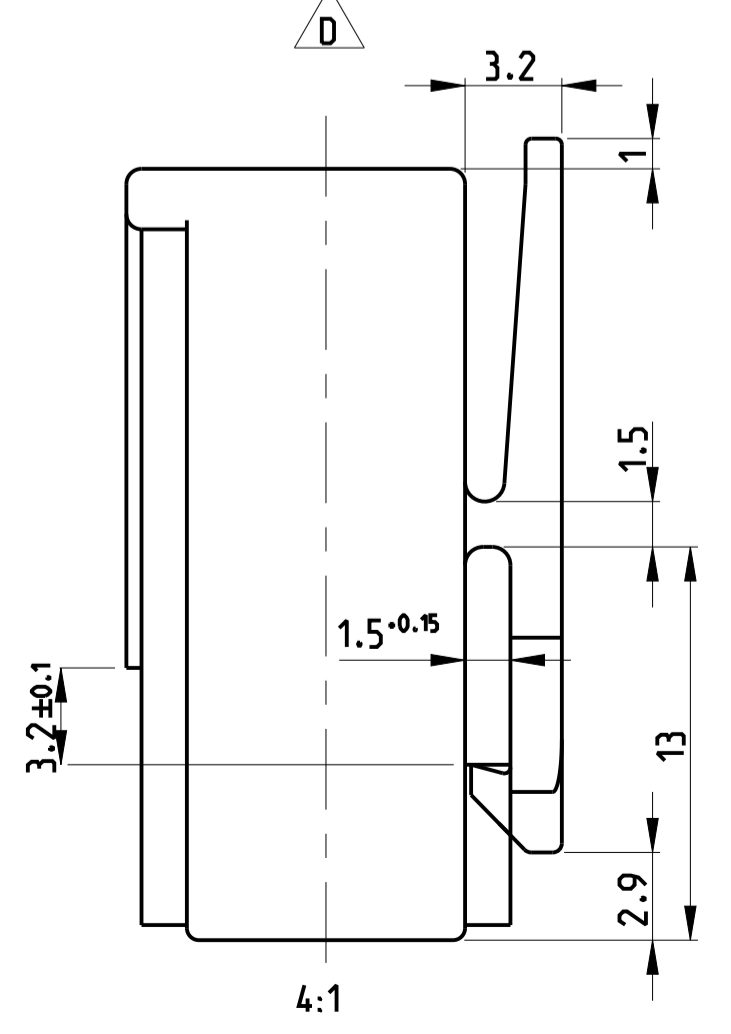
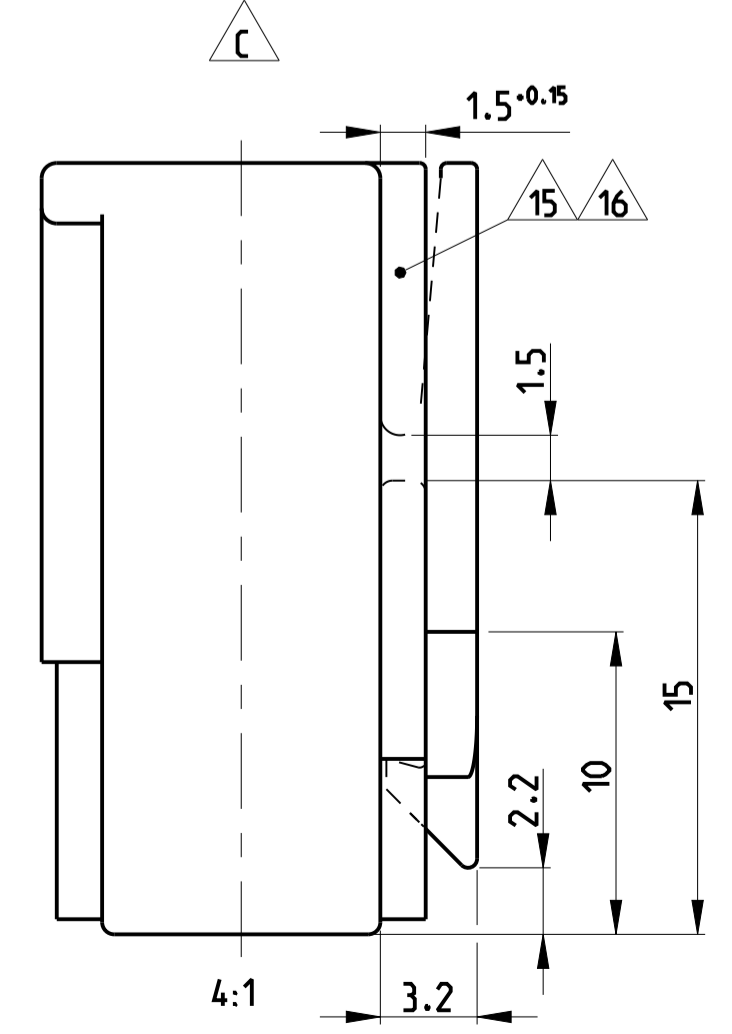
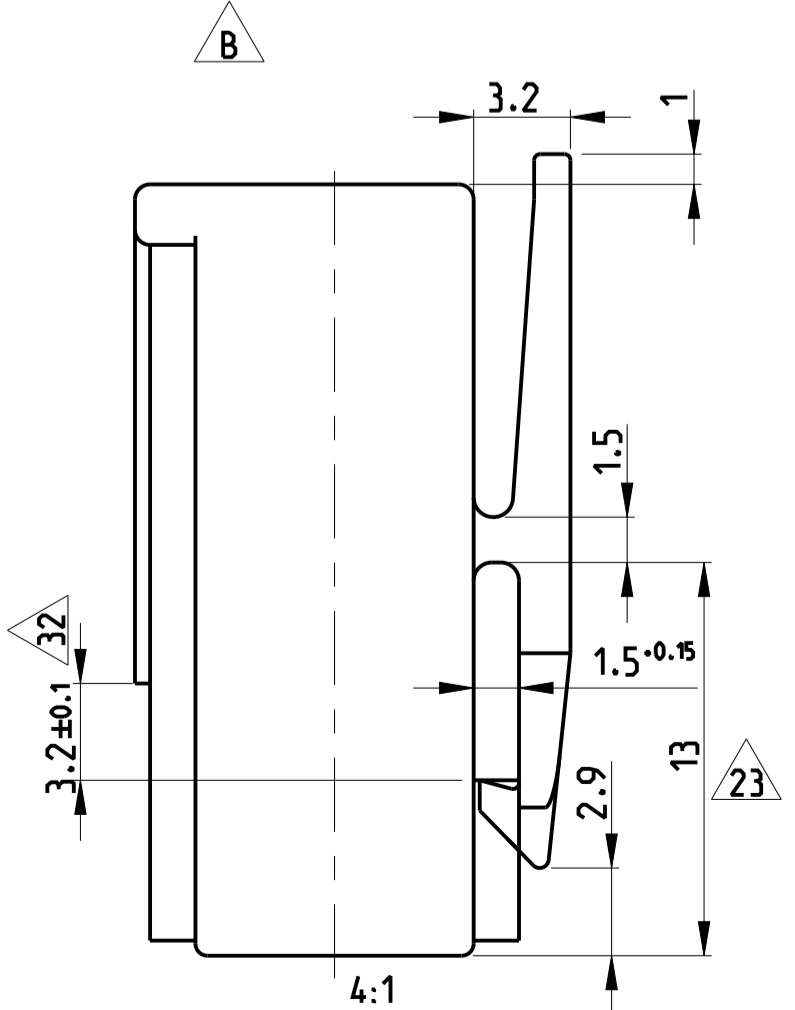
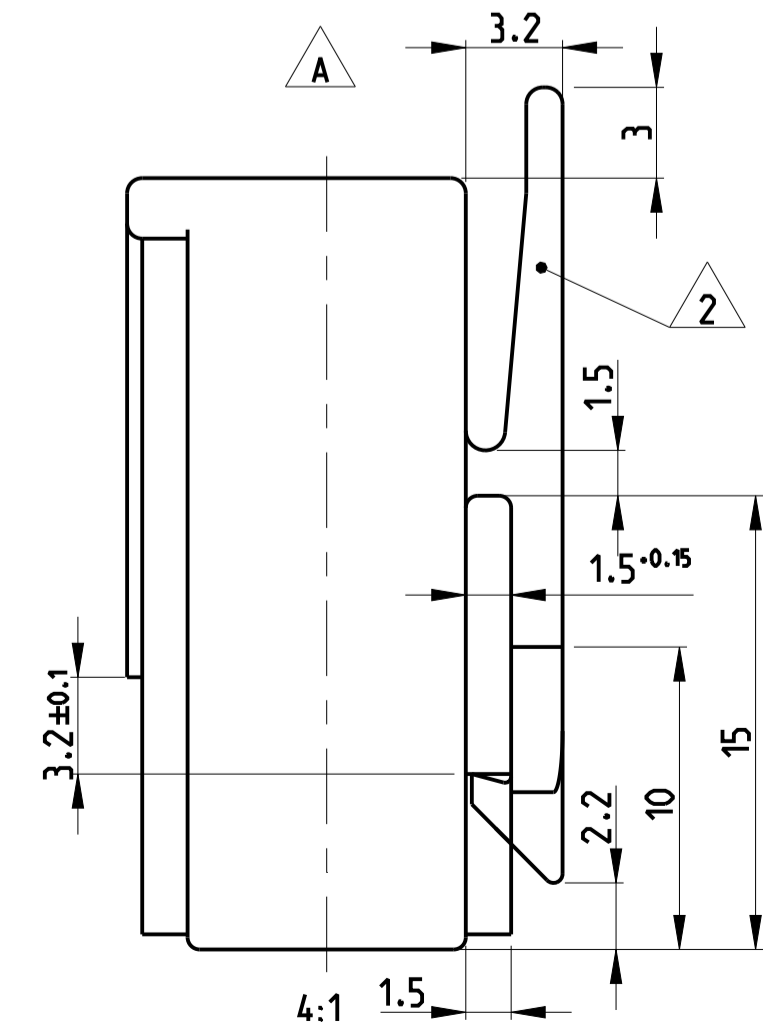
DESCRIPTION
POSITION OF THE KEYING RIBS, POLARISATION RIBS AND THE LOCKING LATCH



SCALE 2:1

ALL OTHER DIMENSIONS ARE SAME

PAY ATTENTION!
DIFFERENT LOCKING LATCHES



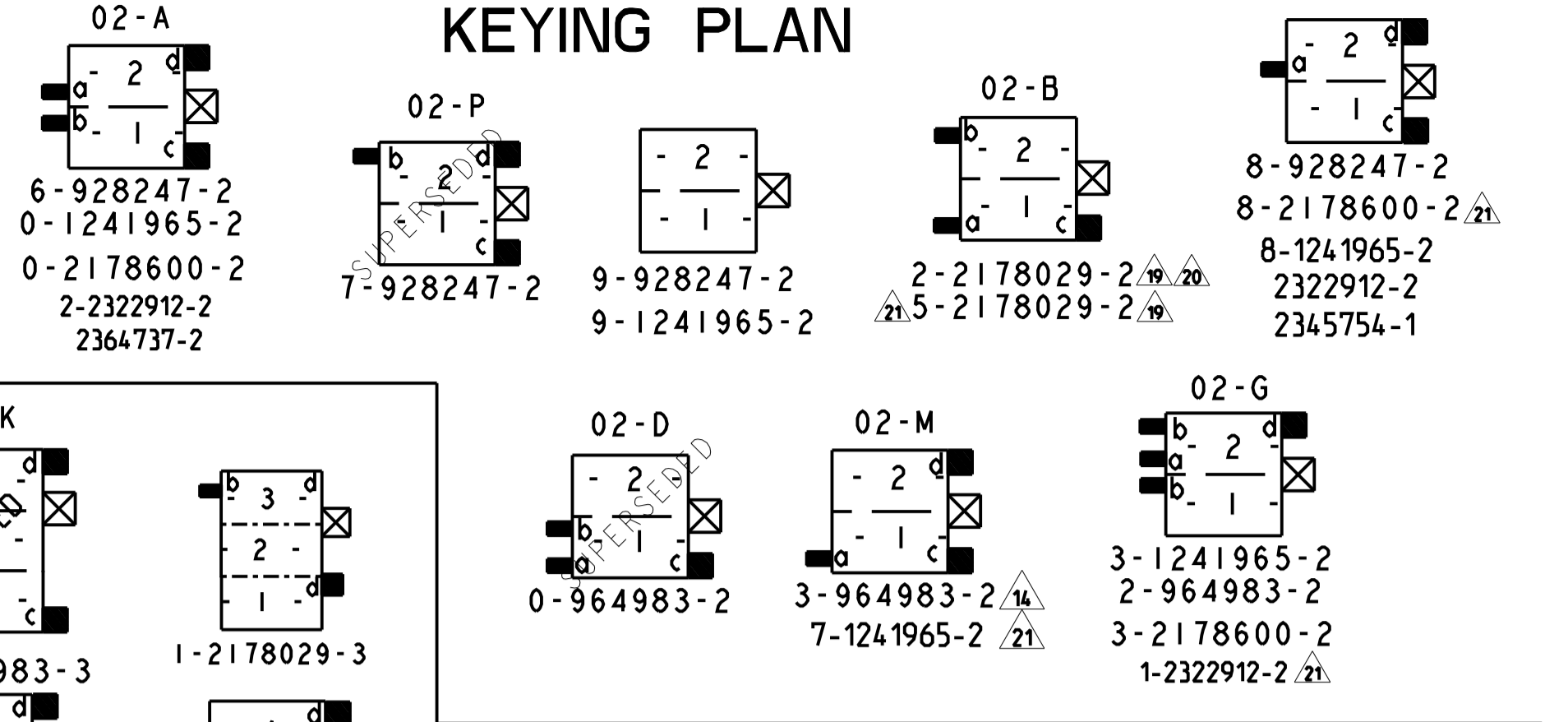
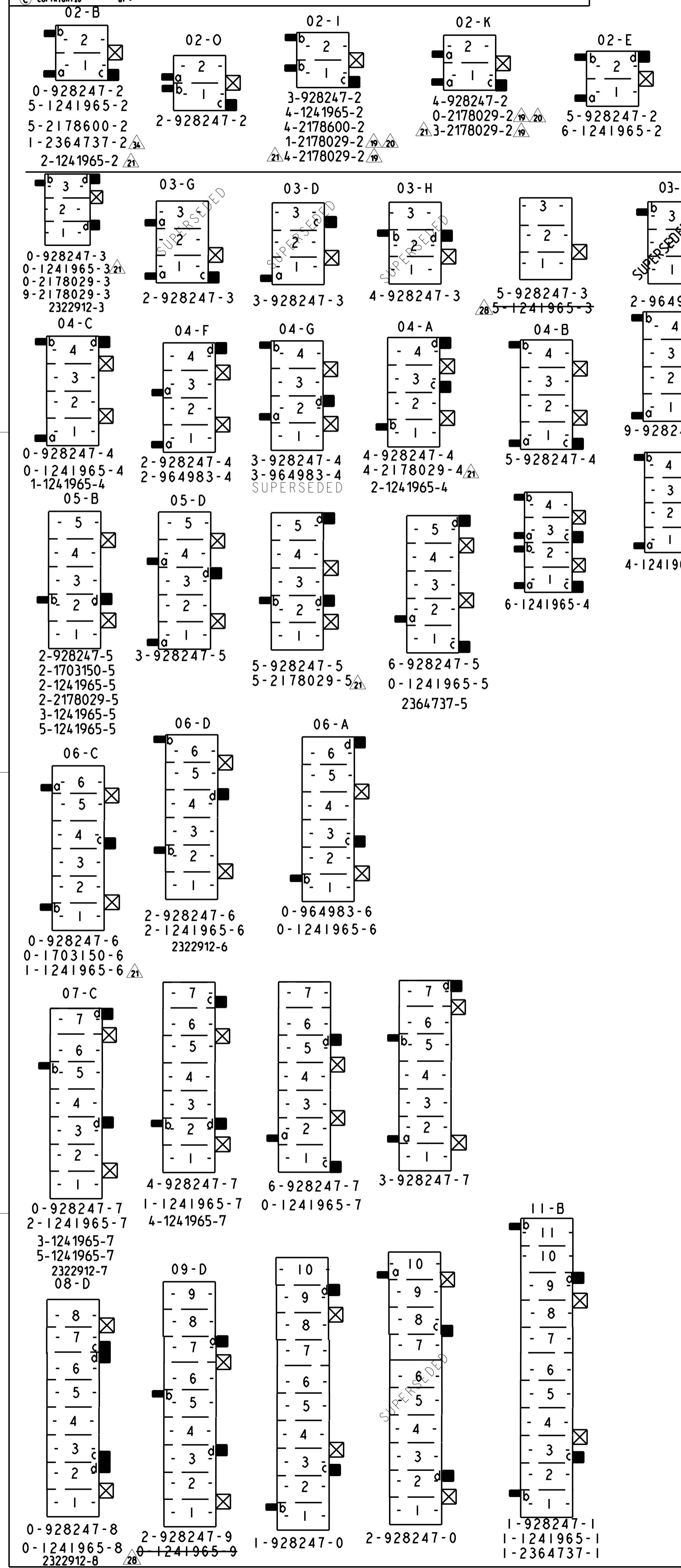
- 1 CAVITY SUITABLE TO STANDARD TIMER CONTACTS LISTED IN PROD: SPEC: 108-18049, ITEM 3.3.2
Kammer geeignet für Standard Timer Kontakte gelistet in Prod. Spec. 108-18049, Punkt 3.3.2
- 2 LOCKING LATCH BETWEEN CAVITY NO. Rasthaken zwischen Kammernummer
- 3 POLARIZATION RIB POSITION "a" OR POSITION "b", AT CAVITY NO..
Polarisierungsrippen (Lage "a") oder (Lage "b") versetzt bei Kammer Nr
- 4 KEYING RIB POSITION "c" OR POSITION "d", AT CAVITY NO.
Kodierungsrippen nach unten (Lage "c") oder oben (Lage "d") versetzt bei Kammernummer
- 5 AREA FOR TE LOGO ACC. TO SPEC 202-36
Bereich für TE Logo nach Spec. 202-36
- 6 WIDTH KEYING RIB BETWEEN CAVITY NO. Breite Kodierrippe zwischen Kammer Nr.
- 7 SUITABLE TO TAB 6.3x0.8mm AND 4.8x0.8mm ACCORDING TO DIN 46244
Geeignet für Flachstecker 6.3x0.8mm und 4.8x0.8mm nach DIN 46244
- 8 MATING STOP BETWEEN CAVITY NO.1 AND 2, ALSO BETWEEN THE LAST AND THE LAST BUT ONE CAVITY
Tiefenanschlag zwischen Kammer Nr.1 und 2, ebenfalls zwischen der letzten und vorletzten Kammer
- 9 CONTACT CAVITY NO. Kammernummer
- 10 DIMENSION A AND DIMENSION B SEE SHEET 2 OF 3
Maß A und Maß B siehe Blatt 2 von 3
- 11 MATED WITH TE CONNECTOR: SEE TABLE, SHEET 2 OF 3
Passender TE Gegenstecker: siehe Tabelle, Seite 2 von 3
- 12 GENERAL SUITABLE TAB HEADER HOUSING SEE RAST 5 PERFORMANCE
Generell passende Flachsteckerwanne, siehe RAST 5 Vorgabe
- 13 CONNECTION TO THE PC BOARD SEE DRAWING 88-9935-4
Leiterplattenanschluß siehe Zeichnung 88-9935-4
- A B SEE TABLE, SHEET 2 OF 3
C D E Siehe Tabelle, Blatt 2 von 3
- 14 MATERIAL CORRESPONDS TO THE REQUIREMENT EN 60335 (INCL. GLOW WIRE TEST 750°C WITHOUT FLAME)
- 15 WIRE TANGLING PROTECTION
- 16 WIRE TANGLING PROTECTION IN COMBINATION WITH CODING RIBS, ONLY VALID FOR VERSIONS 5-964702-3, 0-964702-3, 0-964702-1
- 17 KEYING ACC. TO RAST-5 STANDARD; COLOUR IS DIFFERENT
- 18 8 POS. SPECIAL VERSION WITH SWAGED KEYING RIB
- 19 SPECIAL MATERIAL PA66, UL 94 V0
- 20 DIMENSION "A" IS ACCEPTED WITHIN TOLERANCE +0.05/-0.20.
- 21 PRELIMINARY PART- NOT YET RELEASED FOR PRODUCTION
- 22 ONLY FOR PN 2178600-2, 3-2178600-2, 4-2178600-2, 5-2178600-2, TOLERANCE IS +0.4 -0.2, WORST CASE CAN BE OUT OF RAST STANDARD.
- 23 ONLY FOR PN 2178600-2, 3-2178600-2, 4-2178600-2, 5-2178600-2, TOLERANCE IS +0.4 -0.2
- 24 ONLY FOR PN 2178600-2, 3-2178600-2, 4-2178600-2, 5-2178600-2, TOLERANCE IS ±4°
- 25 ONLY FOR PN 3-1241965-5, 3-1241965-7 TOLERANCE IS +0.3 -0.2
- 26 ONLY FOR PN 3-1241965-5, 3-1241965-7 TOLERANCE IS +0.2 -0.2
- 27 ONLY FOR PN 3-1241965-5, 3-1241965-7 TOLERANCE IS +0.05 -0.2
- 28 OBSOLETE PART
- 29 ONLY FOR 4-1241965-7, 1-2364737-1, TOLERANCE IS -0.3
- 30 ONLY FOR 4-1241965-7, TOLERANCE IS +0.2/-0.25
- 31 ONLY FOR 1-2178029-3, TOLERANCE IS +0.15/-0.2

ADDITIONAL NOTES SEE 3 OF SHEET 4

THIS DRAWING IS A CONTROLLED DOCUMENT.		DWH: Kishor M 18JUL2017		TE Connectivity	
DIMENSIONS: mm		CHK: K. Muntz 07-NOV-06		NAME	
TOLERANCES UNLESS OTHERWISE SPECIFIED:		APVD: T. Klenner 07-NOV-06		PRODUCT SPEC	
1-PLC ±0.2		108-18049-1		APPLICATION SPEC	
2-PLC ±0.05		SIZE		CAGE CODE DRAWING NO	
3-PLC ±0.001		SCALE		RESTRICTED TO	
4-PLC ±0.0001		WEIGHT		A1 00779 C=1241965	
MATERIAL SEE TABLES		Customer Drawing		SHEET 1 OF 4 REV B51	

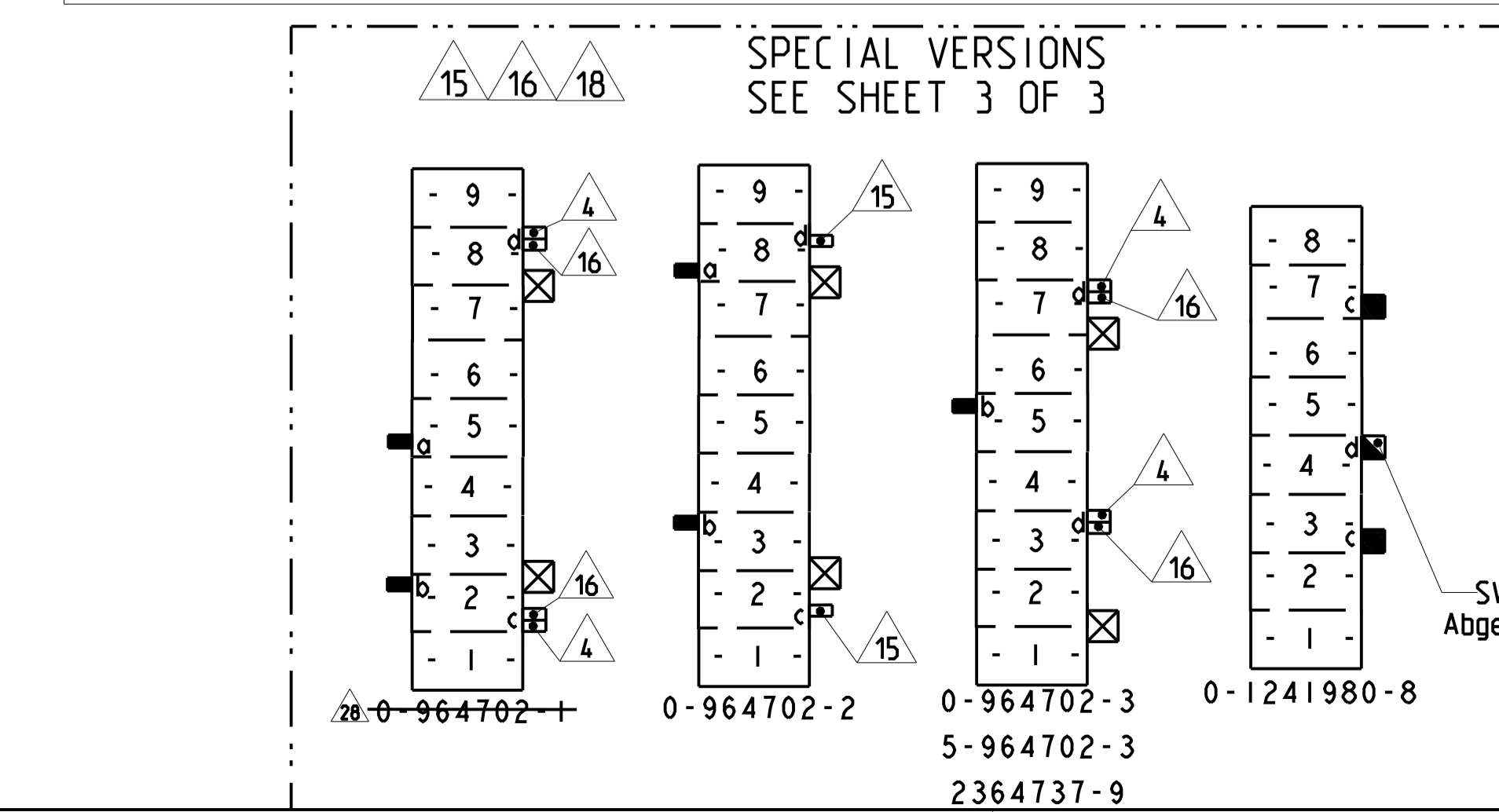
KEYING PLAN

LOC		DIST		REVISONS	
A	I	P	LTN	DESCRIPTION	DATE
				SEE SHEET 1	



PART NO.	POS.	RAST 5	DIM A	DIM B	COLOUR	MATERIAL	LOCKING LATCH	REV.	MATED WITH
Bestell-Nr.	Pol.	Rast 5	Maß A	Maß B	Farbe	Material	Rasthaken	Rev.	Gegenstecker
3-1241965-7	7	07-C	35	30	NATURAL	PA6 GF15 UL94V-2	D	A	12/13
3-1241965-5	5	05-B	25	20	NATURAL	PA6 GF15 UL94V-2	D	A	12/13
8-2178600-2	2	02-C	10	5	NATURAL	PA6 GF15 UL94V-2	B	1	12/13
5-2178600-2	2	02-B	10	5	BLACK	PA6 GF15 UL94V-2	B	B	12/13
4-2178600-2	2	02-I	10	5	RED	PA6 GF15 UL94V-2	B	B	12/13
3-2178600-2	2	02-G	10	5	BLUE	PA6 GF15 UL94V-2	B	B	12/13
0-2178600-2	2	02-A	10	5	NATURAL	PA6 GF15 UL94V-2	B	B	12/13
2-1241965-7	7	07-C	35	30	NATURAL	PA6 GF15 UL94V-2	B	A	12/13
1-1241965-6	6	06-C	30	25	NATURAL	PA6 GF15 UL94V-2	B	1	12/13
0-1241965-6	6	06-A	30	25	NATURAL	PA6 GF15 UL94V-2	B	A	12/13
5-1241965-3	3	-	15	10	NATURAL	PA6 GF15 UL94V-2	A	1	12/13
0-1241965-3	3	-	15	10	NATURAL	PA6 GF15 UL94V-2	B	1	12/13
6-1241965-2	2	02-E	10	5	NATURAL	PA6 GF15 UL94V-2	B	A	12/13

PART NO.	POS.	RAST 5	DIM A	DIM B	COLOUR	MATERIAL	LOCKING LATCH	REV.	MATED WITH
Bestell-Nr.	Pol.	Rast 5	Maß A	Maß B	Farbe	Material	Rasthaken	Rev.	Gegenstecker
5-2178029-5	5	-	25	20	GREEN	PA66 UL94V-0	B	1	12/13
2-2178029-5	5	-	25	20	BLACK	PA66 UL94V-0	B	A	12/13
4-2178029-4	4	-	20	15	NATURAL	PA66 UL94V-0	B	1	12/13
9-2178029-3	3	-	15	10	YELLOW	PA66 UL94V-0	B	A	12/13
1-2178029-3	3	-	15	10	NATURAL	PA66 UL94V-0	B	B	12/13
0-2178029-3	3	-	15	10	NATURAL	PA66 UL94V-0	B	A	12/13
5-2178029-2	2	02-B	10	5	NATURAL	PA66 UL94V-0	B	1	12/13
4-2178029-2	2	02-I	10	5	NATURAL	PA66 UL94V-0	B	1	12/13
3-2178029-2	2	02-K	10	5	NATURAL	PA66 UL94V-0	B	1	12/13
2-2178029-2	2	02-B	10	5	BLACK	PA66 UL94V-0	B	A	12/13
1-2178029-2	2	02-I	10	5	RED	PA66 UL94V-0	B	A	12/13
0-2178029-2	2	02-K	10	5	GREEN	PA66 UL94V-0	B	A	12/13



COLOUR	SUPERSEDED BY PN:	PART NO.	POS.	RAST 5	DIM A	DIM B	COLOUR	MATERIAL	LOCKING LATCH	REV.	MATED WITH
Farbe	Bestell-Nr.	Pol.	Rast 5	Maß A	Maß B	Farbe	Material	Rasthaken	Rev.	Gegenstecker	
NATURE	1-969484-7	3	03-H	15	10	BROWN/braun	UL94V-2	B	A	12/13	
NATURE	1-969484-8	3	03-D	15	10	BLUE/blau	UL94V-2	A	A	12/13	
NATURE	3-969484-7	2	02-B	10	5	VIOLET/violett (lila)	UL94V-2	A	A	12/13	
		0-928247-3	3	-	15	10	YELLOW/gelb	UL94V-2	B	B	12/13
		9-928247-2	2	-	10	5	NATURE/natur	UL94V-2	B	B	12/13
		8-928247-2	2	02-C	10	5	GREY/grau	UL94V-2	B	B	12/13
NATURE	0-969484-3	7	02-P	10	5	PURPLED/purpurröt	UL94V-2	A	A	12/13	
		6-928247-2	2	02-A	10	5	NATURE/natur	UL94V-2	B	B	12/13
		5-928247-2	2	02-E	10	5	GREEN/grün	UL94V-2	B	B	12/13
		4-928247-2	2	02-K	10	5	YELLOW GREEN/gelbgrün	UL94V-2	B	B	12/13
		3-928247-2	2	02-I	10	5	ORANGE/orange	UL94V-2	A	A	12/13
		2-928247-2	2	02-O	10	5	PINK/rosa	UL94V-2	A	A	12/13
		0-928247-2	2	02-B	10	5	BLACK/schwarz	UL94V-2	B	B	12/13
		7-1241965-2	2	02-M	10	5	NATURE/natur	UL94V-2	B	B	12/13
		0-1241980-8	8	-	40	35	NATURE/natur	UL94V-0	-	B	12/13
		5-964702-3	-	-	45	40	NATURE/natur	UL94V-2	-	C	E
		0-964702-3	-	-	45	40	NATURE/natur	UL94V-2	-	C	E
		0-964702-2	-	-	45	40	NATURE/natur	UL94V-2	-	C	E
		280-964702-1	-	-	45	40	NATURE/natur	UL94V-2	-	C	E
		0-964983-6	6	06-A	17	20	25	WHITE/weiß	UL94V-2	B	D
		3-1241817-4	3	04-G	17	20	15	GREY/grau	UL94V-2	B	D
		2-964983-4	4	04-F	17	20	15	ORANGE/orange	UL94V-2	B	D
		2-1241817-3	2	03-K	15	10	10	GREEN/grün	UL94V-2	B	D
		283-964983-2	2	02-M	17	10	5	VIOLET/violett (lila)	UL94V-2	B	D
		2-964983-2	2	02-G	17	10	5	BLUE/blau	UL94V-2	B	D
		3-969484-2	2	02-B	17	10	5	BLACK/schwarz	UL94V-2	B	D
		1-1241965-1	11	11-B	17	55	50	NATURE/natur	UL94V-2	B	D
		280-1241965-9	9	09-D	17	45	40	NATURE/natur	UL94V-2	B	D
		0-1241965-8	8	08-D	17	40	35	NATURE/natur	UL94V-2	B	D
		1-1241965-7	7	-	35	30	30	NATURE/natur	UL94V-2	B	D
		0-1241965-7	7	-	35	30	30	NATURE/natur	UL94V-2	B	D
		2-1241965-6	6	06-D	30	25	20	NATURE/natur	UL94V-2	B	D
		2-1241965-5	5	05-B	25	20	20	NATURE/natur	UL94V-2	B	D
		0-1241965-5	5	-	25	20	20	NATURE/natur	UL94V-2	B	D
		6-1241965-4	4	-	20	15	15	NATURAL	UL94V-2	B	D
		0-1241965-4	4	04-C	20	15	15	NATURE/natur	UL94V-2	B	D
		9-1241965-2	2	-	10	5	5	NATURE/natur	UL94V-2	B	D
		5-1241965-2	2	02-B	10	5	5	BLACK/schwarz	UL94V-2	B	D
		4-1241965-2	2	02-I	17	10	5	RED/rot	UL94V-2	B	D
		3-1241965-2	2	02-G	17	10	5	BLUE/blau	UL94V-2	B	D
		0-1241965-2	2	02-A	10	5	5	NATURE/natur	UL94V-2	B	D
		1-928247-1	11	11-B	17	55	50	YELLOW/gelb	UL94V-2	B	D
		282-928247-0	10	-	50	45	45	GREY/grau	UL94V-2	B	D
		1-928247-0	10	-	50	45	45	BROWN/braun	UL94V-2	B	D
		2-928247-9	9	09-D	45	40	40	BLUE/blau	UL94V-2	B	D
		0-928247-8	8	08-D	40	35	35	BLUE/blau	UL94V-2	B	D
		6-928247-7	7	-	35	30	30	GREEN/grün	UL94V-2	B	D
		4-928247-7	7	-	35	30	30	NATURE/natur	UL94V-2	B	D
		3-928247-7	7	-	35	30	30	NATURE/natur	UL94V-0	A	A
		0-928247-7	7	07-C	35	30	30	GREY/grau	UL94V-2	B	D
		2-928247-6	6	06-D	30	25	25	BLUE/blau	UL94V-2	B	D
		0-1703150-6	6	06-C	30	25	25	GREY/grau	UL94V-2	A	A
		0-928247-6	6	06-C	30	25	25	GREY/grau	UL94V-2	B	D
		6-928247-5	5	-	25	20	20	NATURE/natur	UL94V-2	B	D
		5-928247-5	5	-	25	20	20	GREEN/grün	UL94V-2	B	D
		3-928247-5	5	05-D	25	20	20	BLUE/blau	UL94V-2	A	A
		2-1703150-5	5	05-B	25	20	20	BLACK/schwarz	UL94V-2	A	A
		2-928247-5	5	05-B	25	20	20	BLACK/schwarz	UL94V-2	B	D
		9-928247-4	4	-	20	15	15	NATURE/natur	UL94V-0	A	L
		5-928247-4	4	04-B	20	15	15	BLACK/schwarz	UL94V-0	A	L
		4-928247-4	4	04-A	20	15	15	NATURE/natur	UL94V-0	B	D
		3-928247-4	4	04-G	20	15	15	VIOLET/violett (lila)	UL94V-0	B	D
		2-928247-4	4	04-F	20	15	15	WHITE/weiß	UL94V-0	B	D
		0-928247-4	4	04-C	20	15	15	GREY/grau	UL94V-0	B	D
		5-928247-3	3	-	15	10	10	NATURE/natur	UL94V-2	A	A
		4-928247-3	3	03-H	15	10	10	BROWN/braun	UL94V-2	A	A
		3-928247-3	3	03-D	15	10	10	BLUE/blau	UL94V-2	A	A
		2-928247-3	3	03-G	15	10	10	VIOLET/violett (lila)	UL94V-2	A	A
		0-928247-3	3	-	15	10	10	YELLOW/gelb	UL94V-2	B	D
		9-928247-2	2	-	10	5	5	NATURE/natur	UL94V-2	B	D
		8-928247-2	2	02-C	10	5	5	GREY/grau	UL94V-2	B	D
		7-928247-2	2	02-P	10	5	5	PURPLED/purpurröt	UL94V-2	A	A
		6-928247-2	2	02-A	10	5	5	NATURE/natur	UL94V-2	B	D
		5-928247-2	2	02-E	10	5	5	GREEN/grün	UL94V-2	B	D
		4-928247-2	2	02-K	10	5	5	YELLOW GREEN/gelbgrün	UL94V-2	B	D
		3-928247-2	2	02-I	10	5	5	ORANGE/orange	UL94V-2	A	A
		2-928247-2	2	02-O	10	5	5	PINK/rosa	UL94V-2	A	A
		0-928247-2	2	02-B	10	5	5	BLACK/schwarz	UL94V-2	B	D

LOC	DIST	REV	DATE	BY	APPROV
A1	-				

- 32 ONLY FOR 2322912-3. TOLERANCE IS +0.1/-0.15
- 33 ONLY FOR 2322912-6. 1-2364737-1. TOLERANCE IS -0.30
- 34 CANDIDATE PRELIMINARY P/N. NOT YET OFFICIAL. ONLY FOR DISCUSSION. NOT YET RELEASED FOR PRODUCTION.
- 35 DOUBLE SOURCE RESIN: ALTERNATIVE RESIN UNDER APPROVAL.


PART NO.	POS.	RAST 5	DIM A	DIM B	COLOUR	MATERIAL	LOCKING LATCH	REV.	MATED WITH
5-1241965-5	5	05-B	25	20	NATURAL	UL94-V0 & GWEPT 750 no flame	E	B	12, 13
1-2364737-2	2	02-B	10	5	BLUE		B	2	12, 13
2364737-9	9	-	45	40	BLUE		C	B	12, 13
1-2364737-1	11	11-B	55	50	BLUE		B	B	12, 13
2364737-5	5	-	25	20	BLUE		B	B	12, 13
2364737-2	2	02-A	10	5	BLUE	B	B	12, 13	
2322912-8	8	08-D	40	35	BLUE	PA66 UL94 V0 GW T 750	B	B	12, 13
2322912-7	7	07-C	35	30	GREY		B	B	12, 13
2322912-6	6	06-D	30	25	BLUE		B	B	12, 13
2322912-3	3	-	15	10	YELLOW		B	B	12, 13
2-2322912-2	2	02-A	10	5	NATURE		B	B	12, 13
1-2322912-2	2	02-G	10	5	BLUE	B	1	12, 13	
2322912-2	2	02-C	10	5	GREY	B	B	12, 13	
2-1241965-2	2	-	10	5	NATURAL	PA66 UL94 V0 GW T 750 CT1350	E	1	12, 13
5-1241965-4	4	-	20	15	NATURAL		E	B	12, 13
4-1241965-4	4	-	20	15	NATURAL		E	B	12, 13
3-1241965-4	4	-	20	15	NATURAL		E	1	12, 13
2-1241965-4	4	-	20	15	NATURAL		E	A	12, 13
1-1241965-4	4	04-C	20	15	NATURAL		E	A	12, 13
8-1241965-2	2	02-C	10	5	NATURAL		E	A	12, 13
4-1241965-7	7	-	35	30	NATURAL		E	A	12, 13
5-1241965-7	7	07-C	35	30	NATURAL		E	B	12, 13
5-1241965-5	5	05-B	25	20	NATURAL		E	1	12, 13

SPECIAL VERSION: UL94 V0 & GW T 750

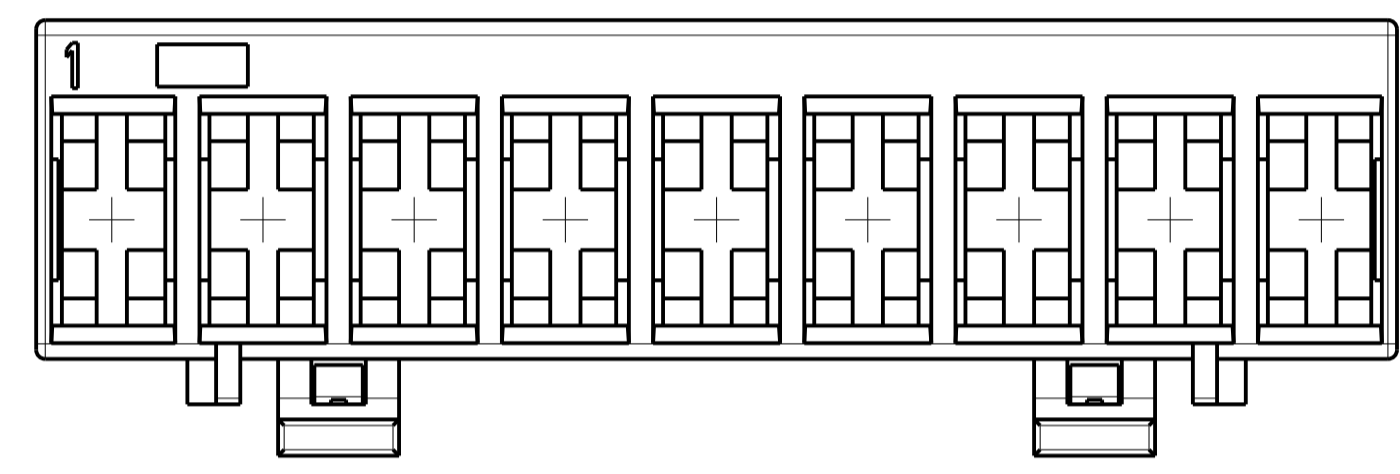
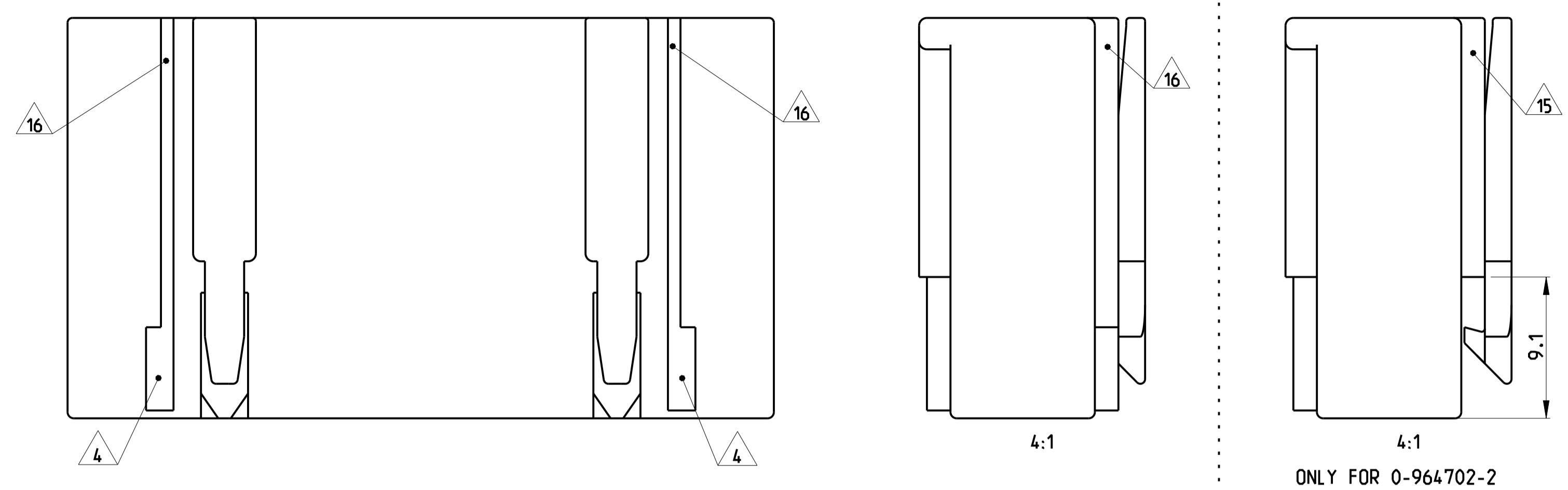
KEYING PLAN SEE SHEET 2 OF 4

PART NO.	POS.	RAST 5	DIM A	DIM B	COLOUR	MATERIAL	LOCKING LATCH	REV.	MATED WITH
2345754-1	2	02-C	10	5	NATURAL	PA66 UL94 V0	E	B	12, 13

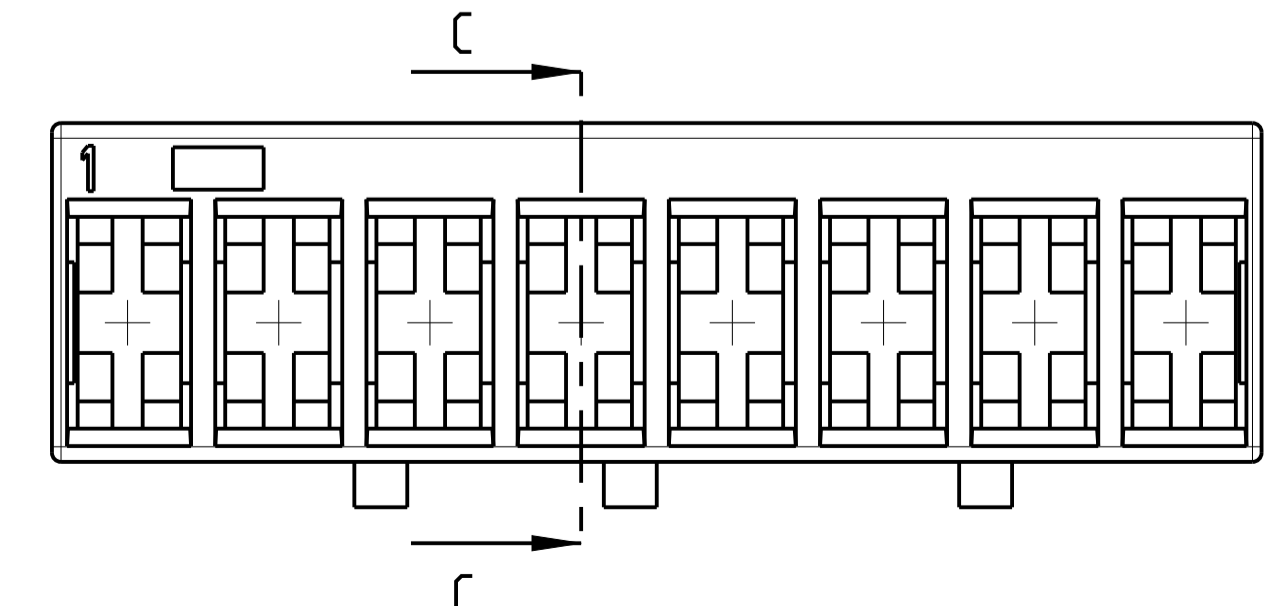
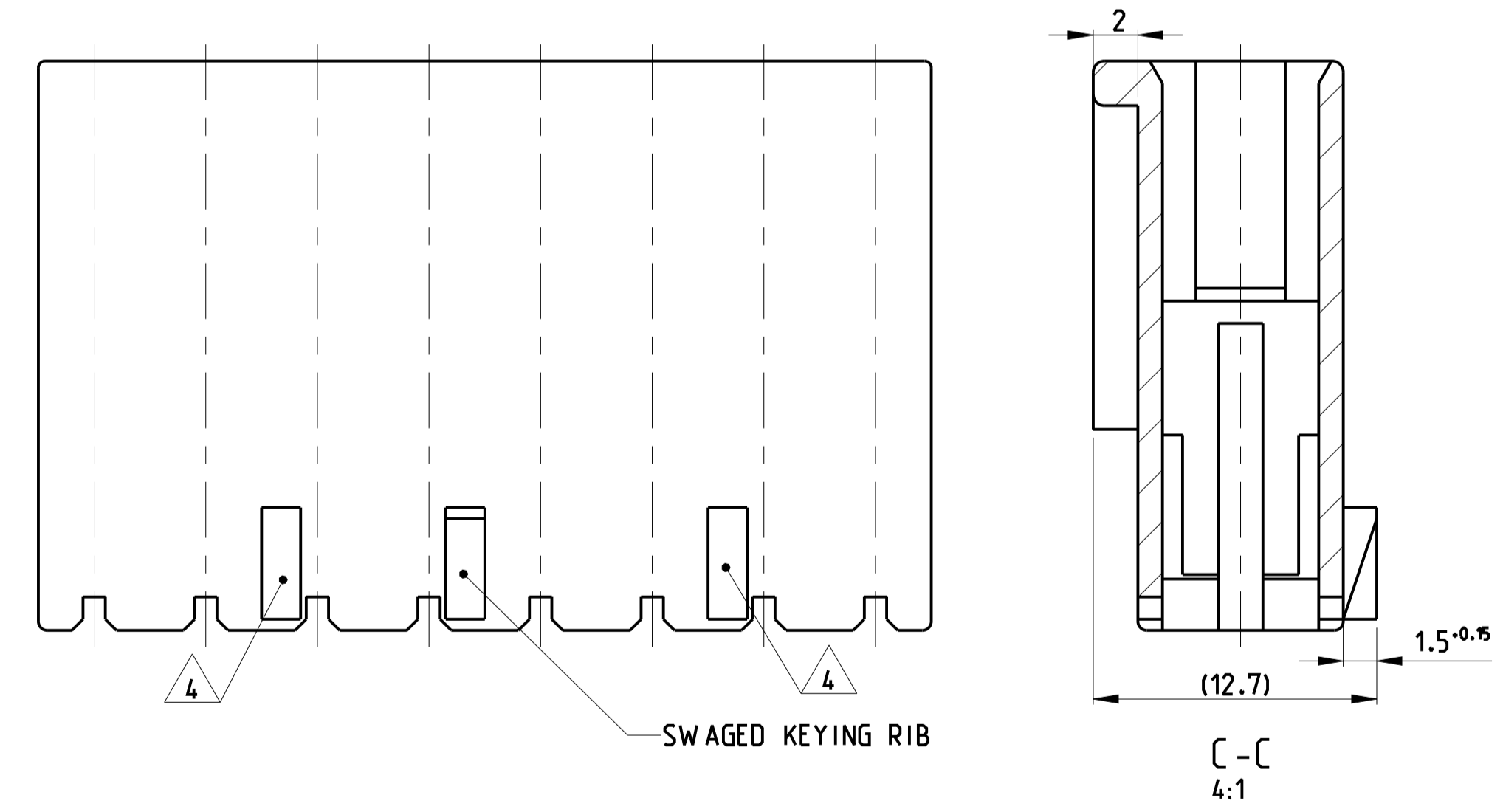
SPECIAL VERSION: UL94 V0

THIS DRAWING IS A CONTROLLED DOCUMENT.		DATE: 18 JUL 2017	 TE Connectivity
DIMENSIONS: mm		DRW: Kishor M	
TOLERANCES UNLESS OTHERWISE SPECIFIED:		CHK: K. Munz	07-NOV-06
0 PLC ± 1 PLC ±0.1 2 PLC ±0.01 3 PLC ±0.001 4 PLC ±0.0001 ANGLES ° FINISH -		APPR: Th. Klennner	07-NOV-06
MATERIAL SEE TABLES		PRODUCT SPEC: 108-18049	NAME: 2-12 POS. STANDARD TIMER HSG WITH EXTERIOR LOCKING
		APPLICATION SPEC: -	SIZE: A1
		WEIGHT: -	CAGE CODE: C=1241965
		Customer Drawing	RESTRICTED TO: -
		SCALE: 5:1	SHEET: 3 of 4

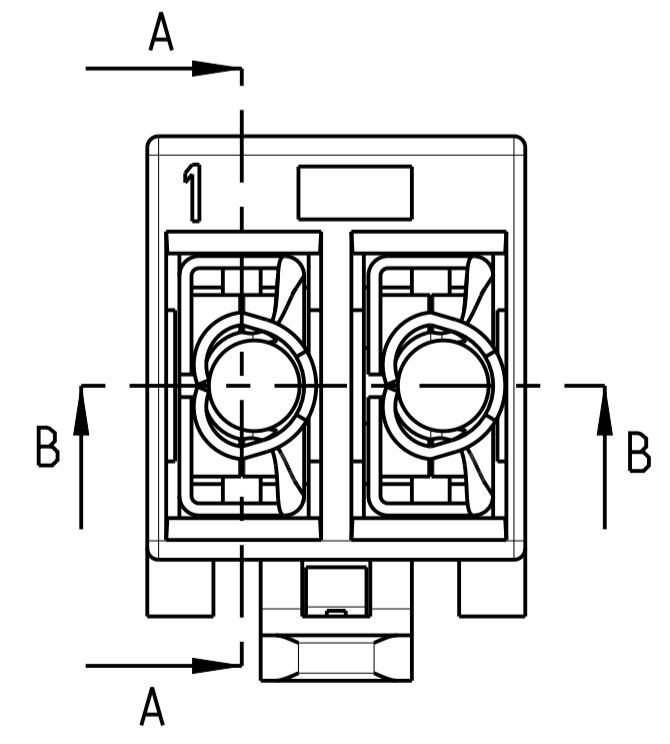
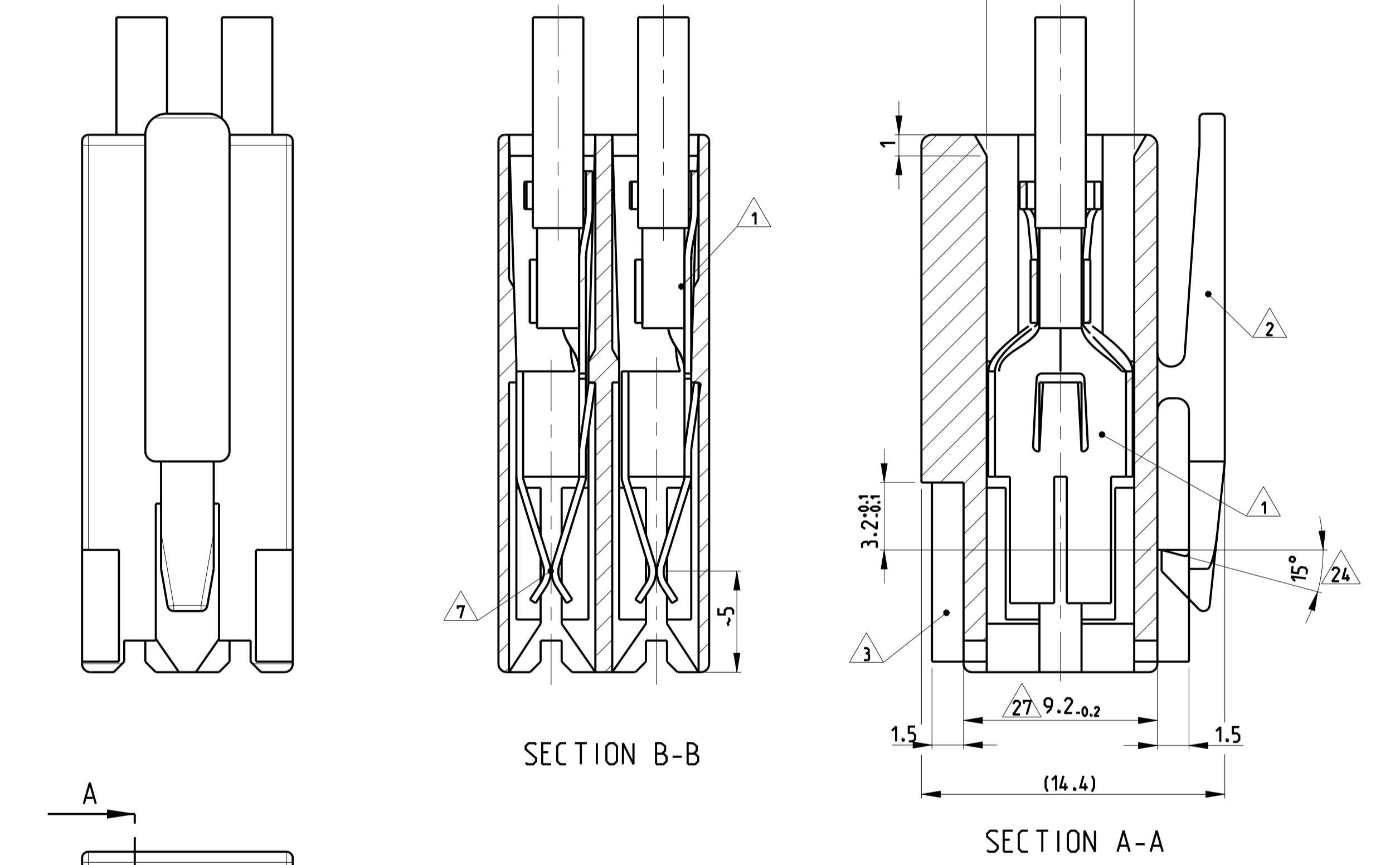
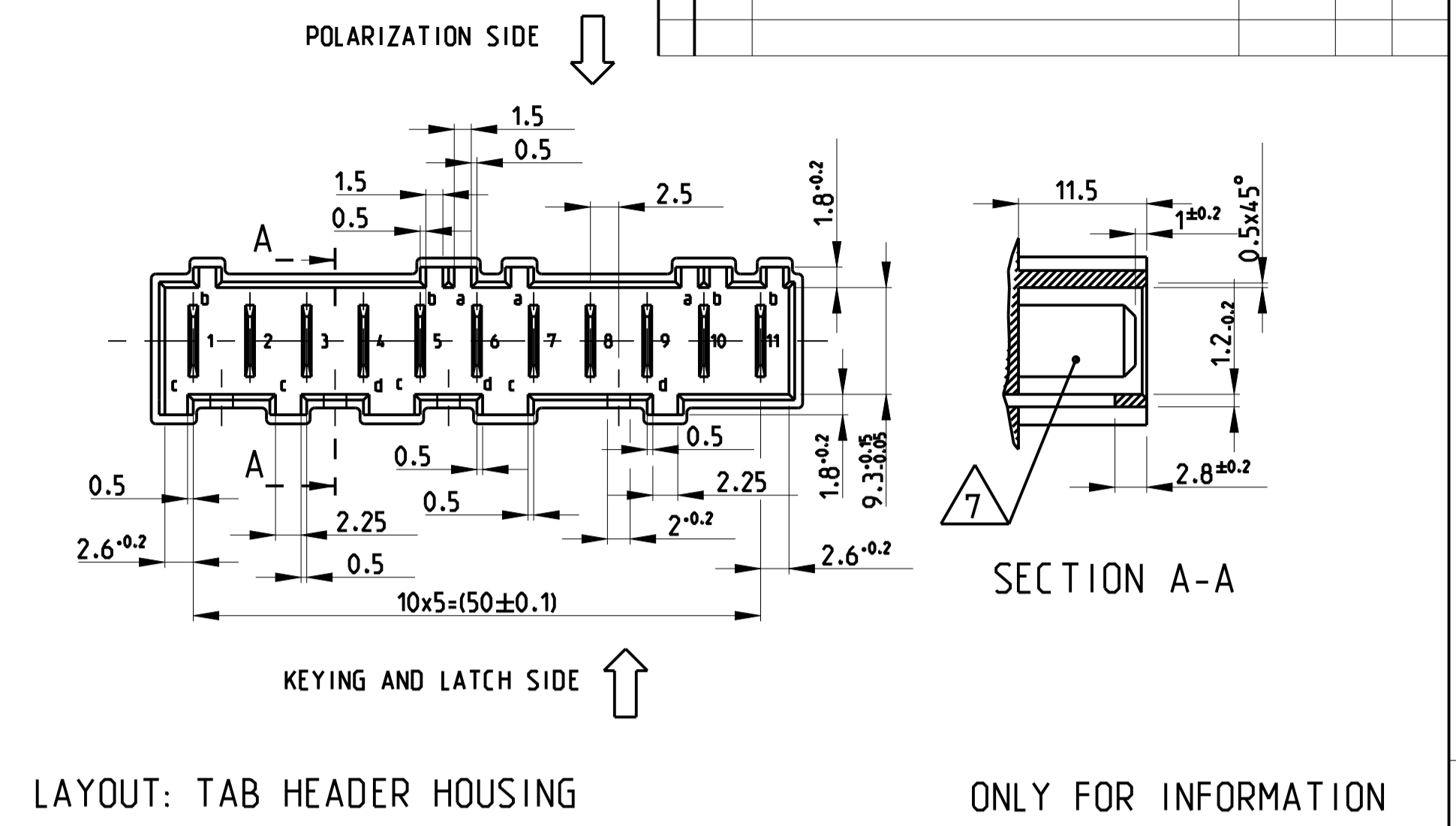
SPECIAL VERSIONS 15 16
9 POS STD. TIMER HSG. WITH TANGLING PROTECTION



SPECIAL VERSION 18
8 POS SPECIAL STD. TIMER HSG.



LOC	DIST	REV	DESCRIPTION	DATE	DRW	APVD
A1	-	-	SEE SHEET 1	-	-	-



THIS DRAWING IS A CONTROLLED DOCUMENT.		DWG: Kishor M 18 JUL 2017		TE Connectivity	
DIMENSIONS: mm		CHK: K. Muntz 07-NOV-06		NAME	
TOLERANCES UNLESS OTHERWISE SPECIFIED: ±0.2		APPD: Th. Klenner 07-NOV-06		PRODUCT SPEC	
1-PLC ±0.1		108-18049		APPLICATION SPEC	
2-PLC ±0.05		108-18049		APPLICATION SPEC	
3-PLC ±0.001		-		-	
4-PLC ±0.0001		-		-	
ANGLES FINISH		WEIGHT		SCALE	
-		-		5:1	
MATERIAL SEE TABLES		Customer Drawing		SHEET 4 OF 4	
-		-		REV B51	

X-ON Electronics

Largest Supplier of Electrical and Electronic Components

Click to view similar products for [Automotive Connectors](#) category:

Click to view products by [TE Connectivity](#) manufacturer:

Other Similar products are found below :

[003-018-000](#) [600858](#) [60403001](#) [60993906-B](#) [60993913-B](#) [629515004020001](#) [M83723/71R1808N L/C](#) [M902-2131](#) [M902-2161](#) [M902-2344](#)
[72.330.1035.1](#) [73.353.4028.0](#) [F118010](#) [F119300-B](#) [F132210](#) [F166900](#) [F180100](#) [F258300](#) [F258300-B](#) [F294300-B](#) [F339100](#) [F339700](#)
[F358300-B](#) [F374110](#) [F407400](#) [F412210](#) [F444110](#) [F487000](#) [F495100](#) [F500900-B](#) [F509500B-B](#) [770444-1](#) [827153-1](#) [881735-1](#)
[8N1515-32-24P](#) [9-1326729-8](#) [925467-1](#) [925474-1](#) [928905-1](#) [936398-2](#) [964562-4](#) [964731-2](#) [968782-1](#) [GT17SA-8DS-HU](#) [GT17VS-10DP-](#)
[5.2CF](#) [98315-0001](#) [98315-0010](#) [98891-1012](#) [98895-2014](#) [98936-1039](#)