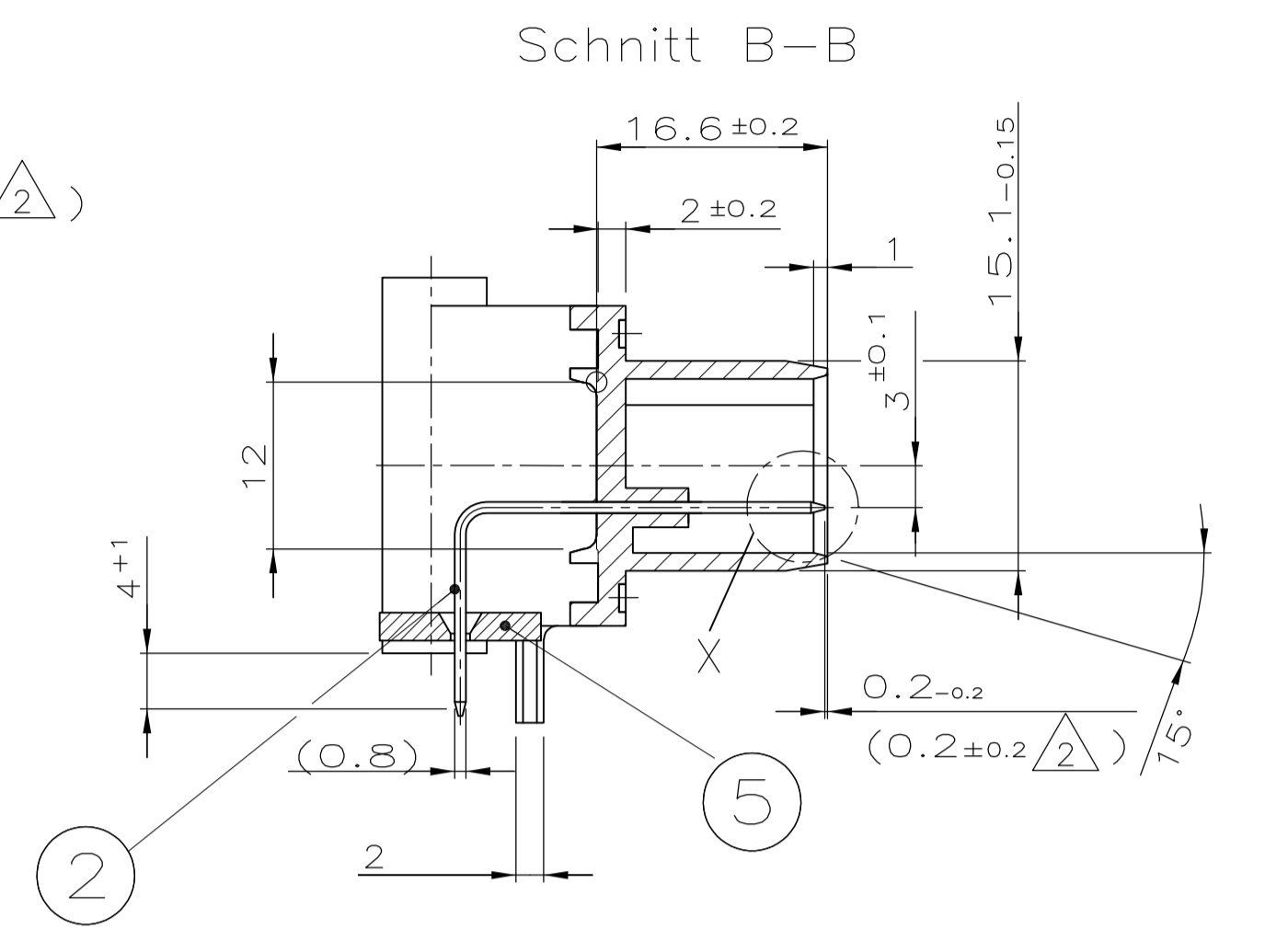
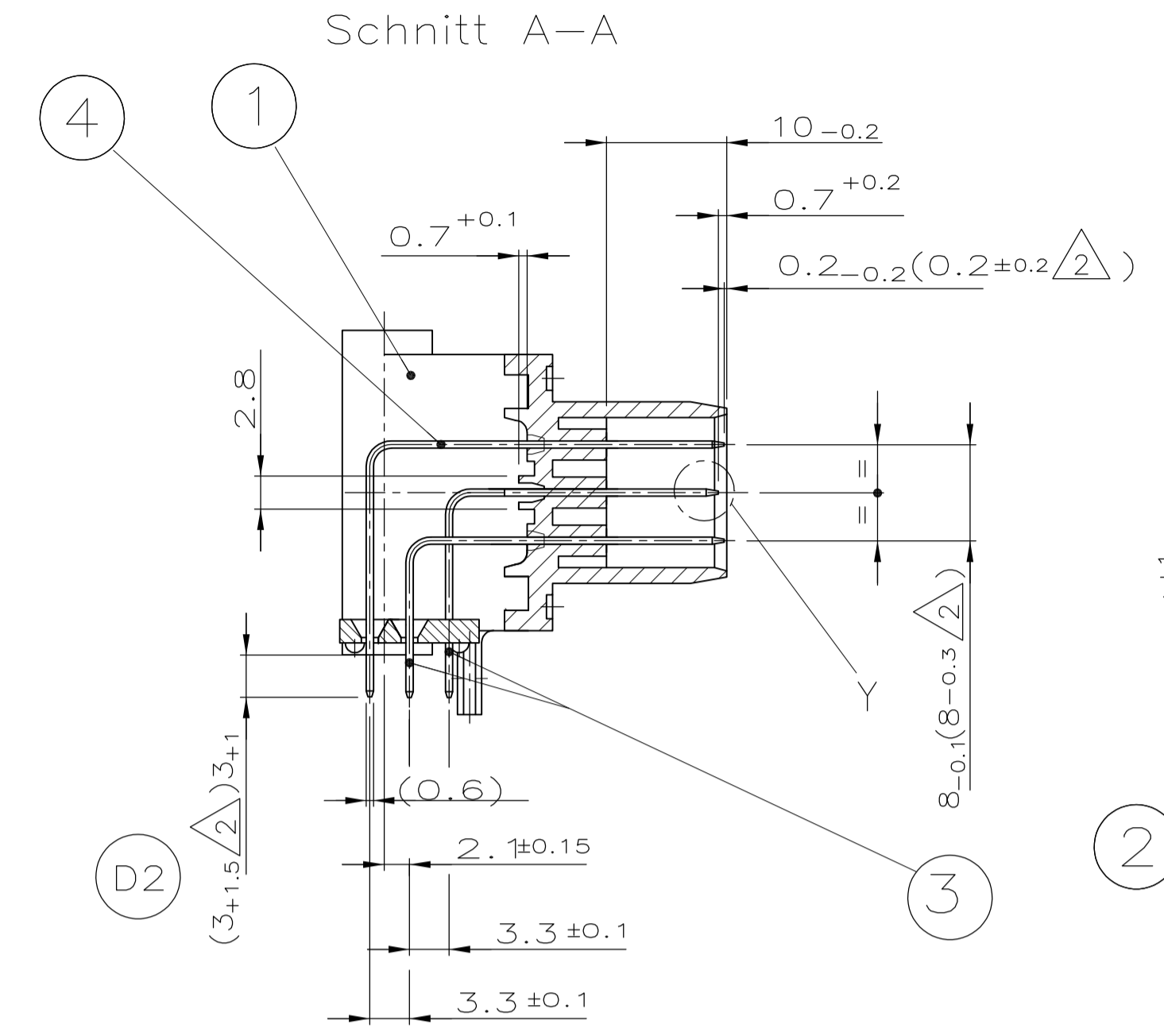
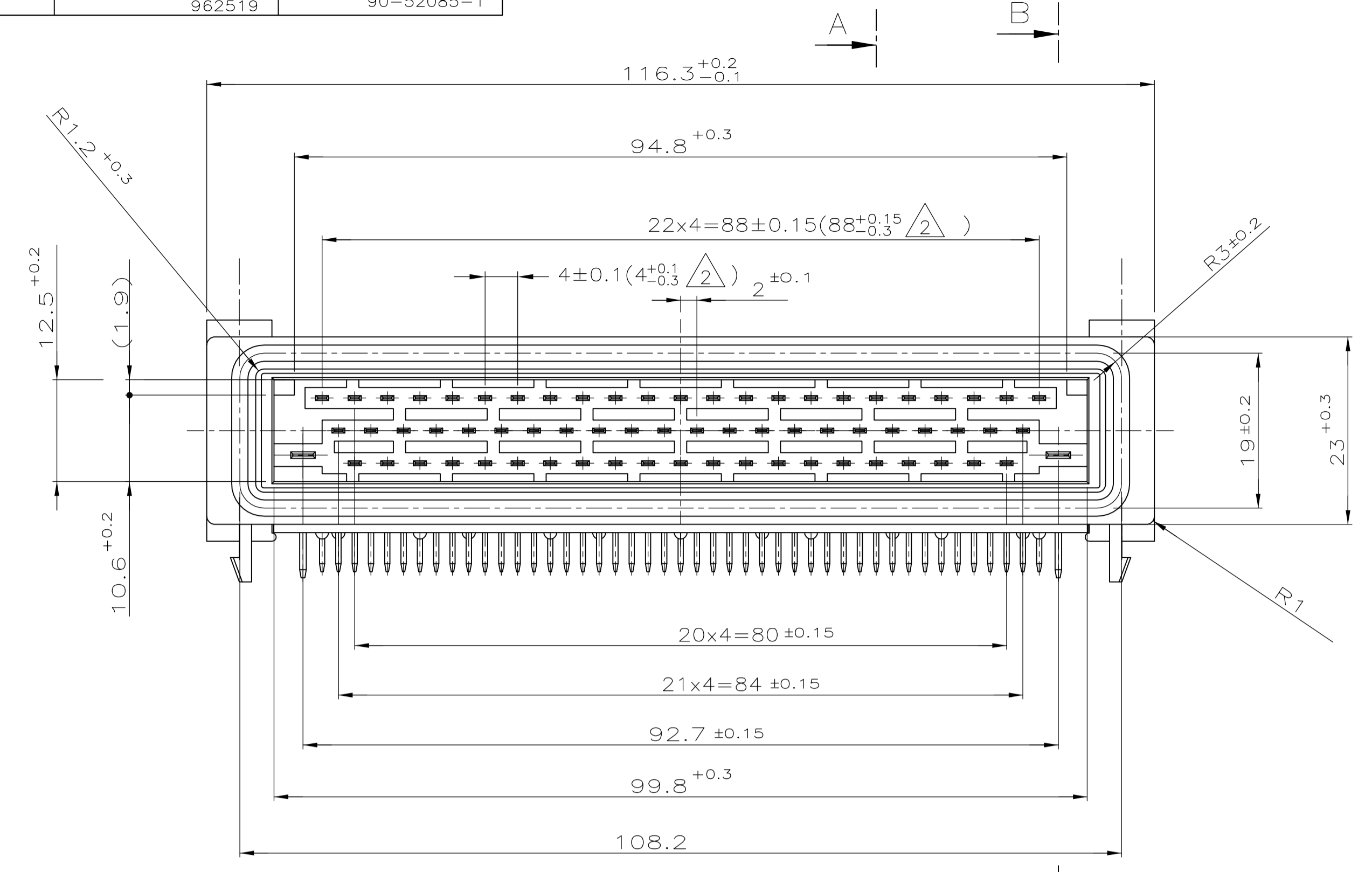
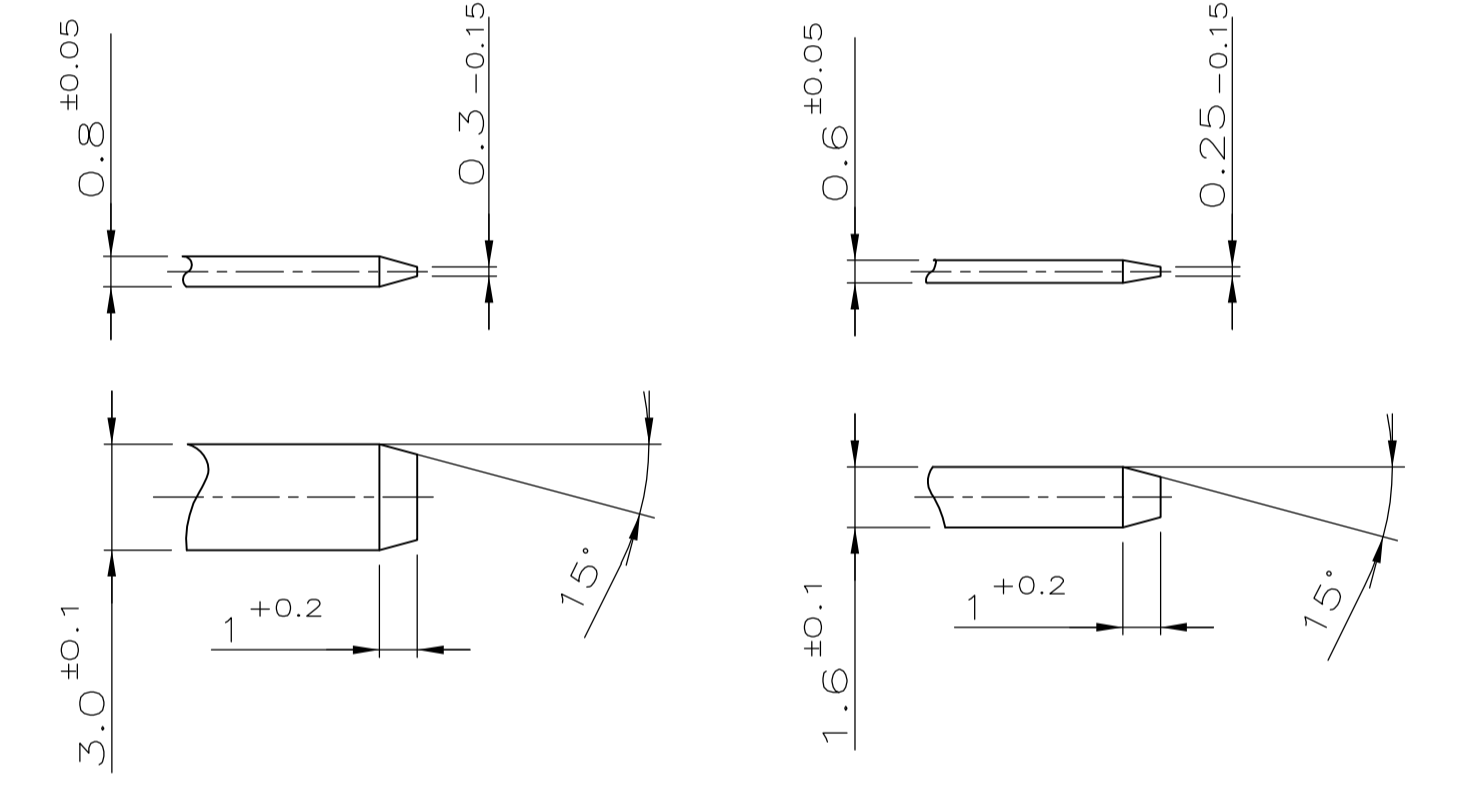


LOC		DIST		REVISIONS			
F	LTR	DESCRIPTION	DATE	DW	APVD		
D		Bemerkung 2 und 3 entfernt. Zeichnungs-Nr. geändert	28.09.95	Alondu			
D1		TOLERANCES ADJUSTED FOR EXISTING TOOL	22MAY12	KK	GP		
D2		TOLERANCES ADJUSTED FOR EXISTING TOOL	15JUN12	KK	GP		

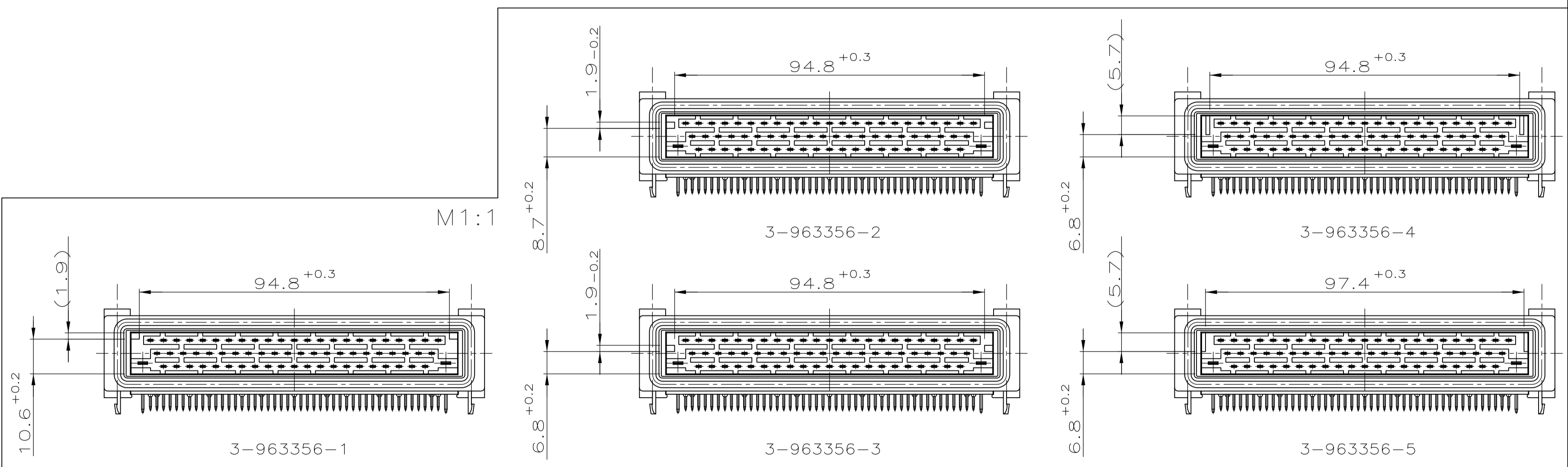
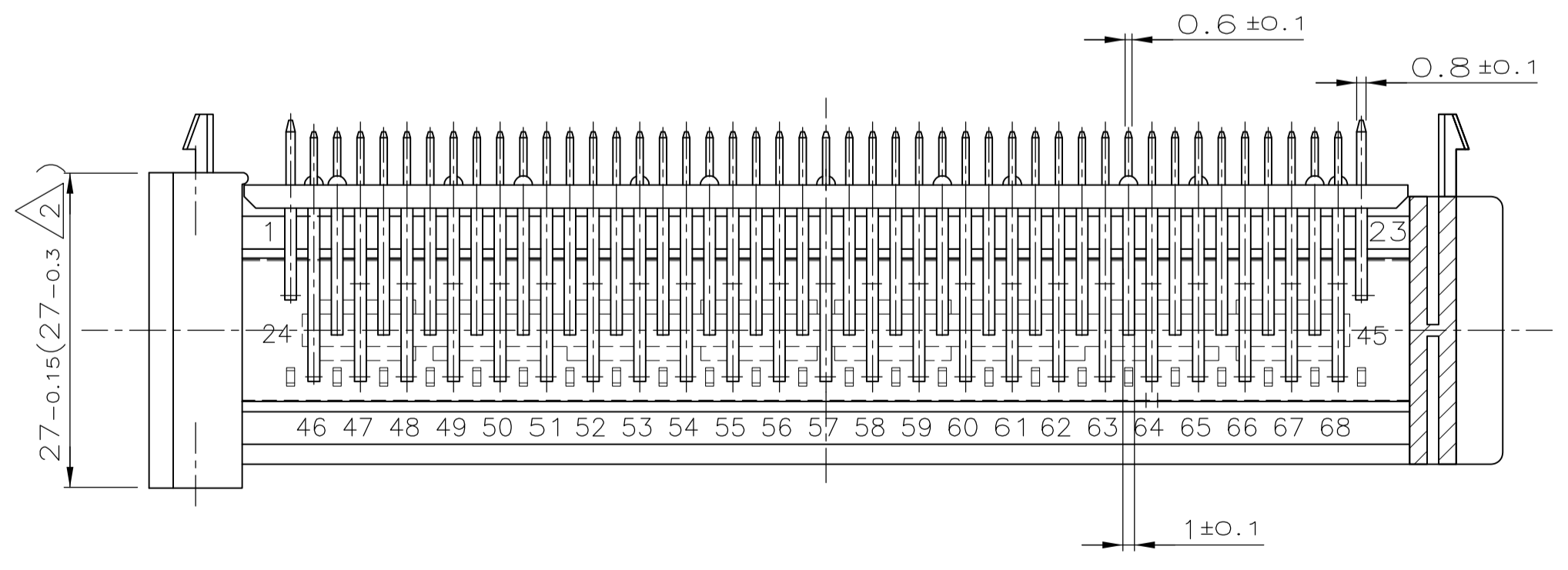
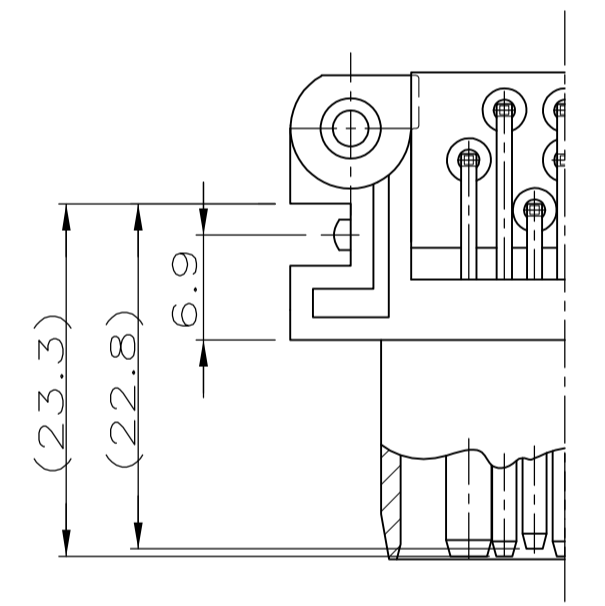
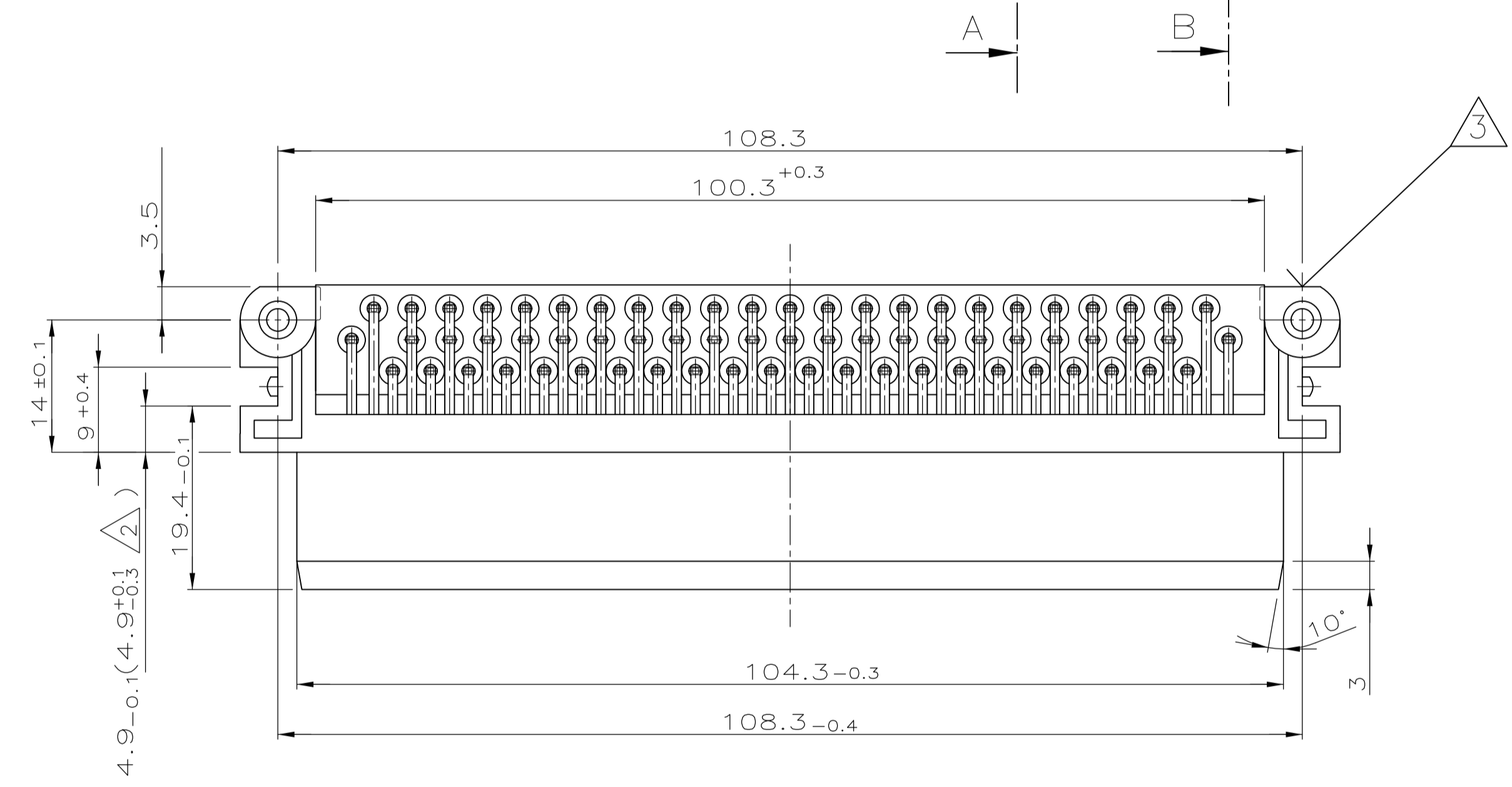


Einzelheit "X" M 5:1

Einzelheit "Y" M 5:1



Zeichnung fuer VW, Bosch, KEN



**Bemerkung:**  
**NOTES:**  
 1. CONTACT AREA 1-3µm HOT DIPPED (BLANK CUTTING EDGES)  
 SOLDERING AREA 6-10µm Sn  
 2. DIMENSIONS AND TOLERANCES ONLY  
 VALID FOR TOOL 30-0238765  
 21-0050258

STÜCK	STÜCK	STÜCK	STÜCK	STÜCK	POS.	BENENNUNG EINZELTEIL	WERKSTOFF	OBERFLÄCHE	FARBE
1	1	1	1	1	5	Zentrierleiste	PA 6.6 GV15	schwarz	
23	23	23	23	23	4	Messer (1.6mm; 49.8 lang)	CuSn6F41 ww. CuSn4		
43	43	43	43	43	3	Messer (1.6mm; 38.5 lang)	CuSn6F41 ww. CuSn4		
2	2	2	2	2	2	Messer (3.0mm; 40.6 lang)	CuSn6F41 ww. CuSn4		
1	1	1	1	1	1	Messerleiste	PA 6.6 GV30	schwarz	
3-963356-5	3-963356-4	3-963356-3	3-963356-2	3-963356-1	BEST.NR.				

THIS DRAWING IS A CONTROLLED DOCUMENT.

DIMENSIONS: mm

TOLERANCES UNLESS OTHERWISE SPECIFIED:

0 PLC	±	-
1 PLC	±	0.3
2 PLC	±	0.2
3 PLC	±	0.1
4 PLC	±	0.05
ANGLES	±	'

MATERIAL: SEE TABLE

FINISH: -

WEIGHT: -

CUSTOMER DRAWING

SCALE: 2:1

SHEET 1 of 2

REV D2

ZEICHNUNG GÜLTIG AB XX/YY.

DIN 11 LÖWER 18.6.90

CIK LINIX 18.6.90

APVD

PRODUCT SPEC

APPLICATION SPEC

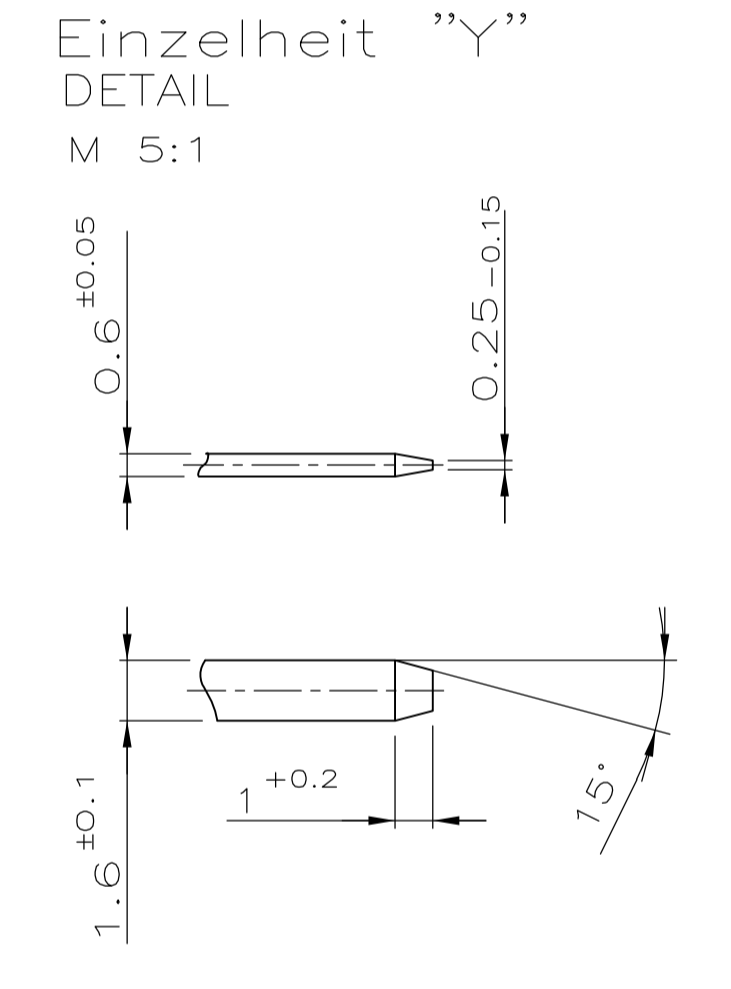
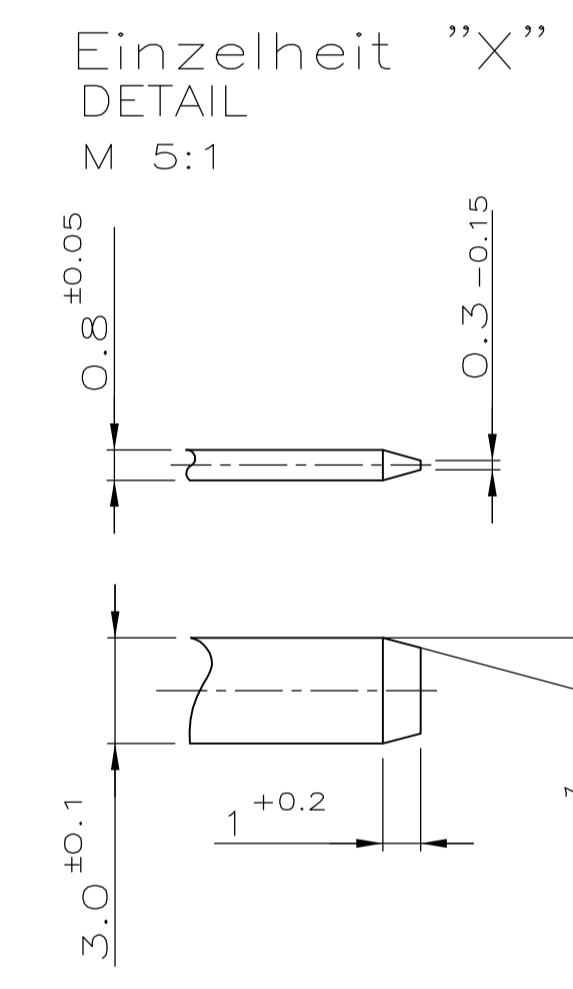
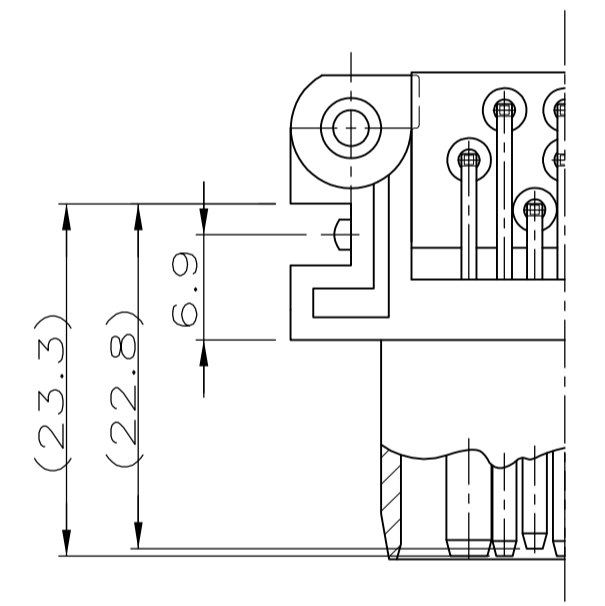
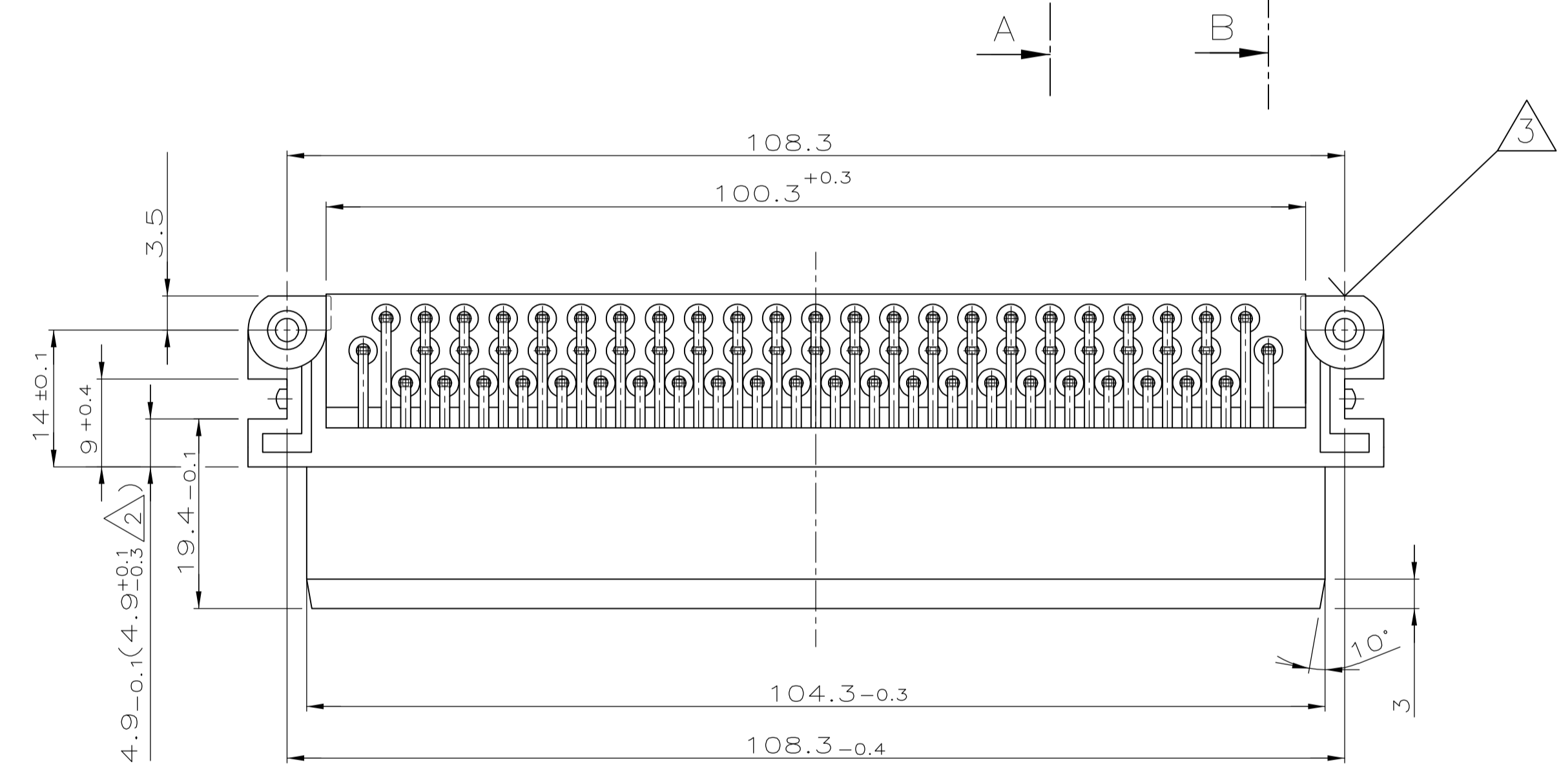
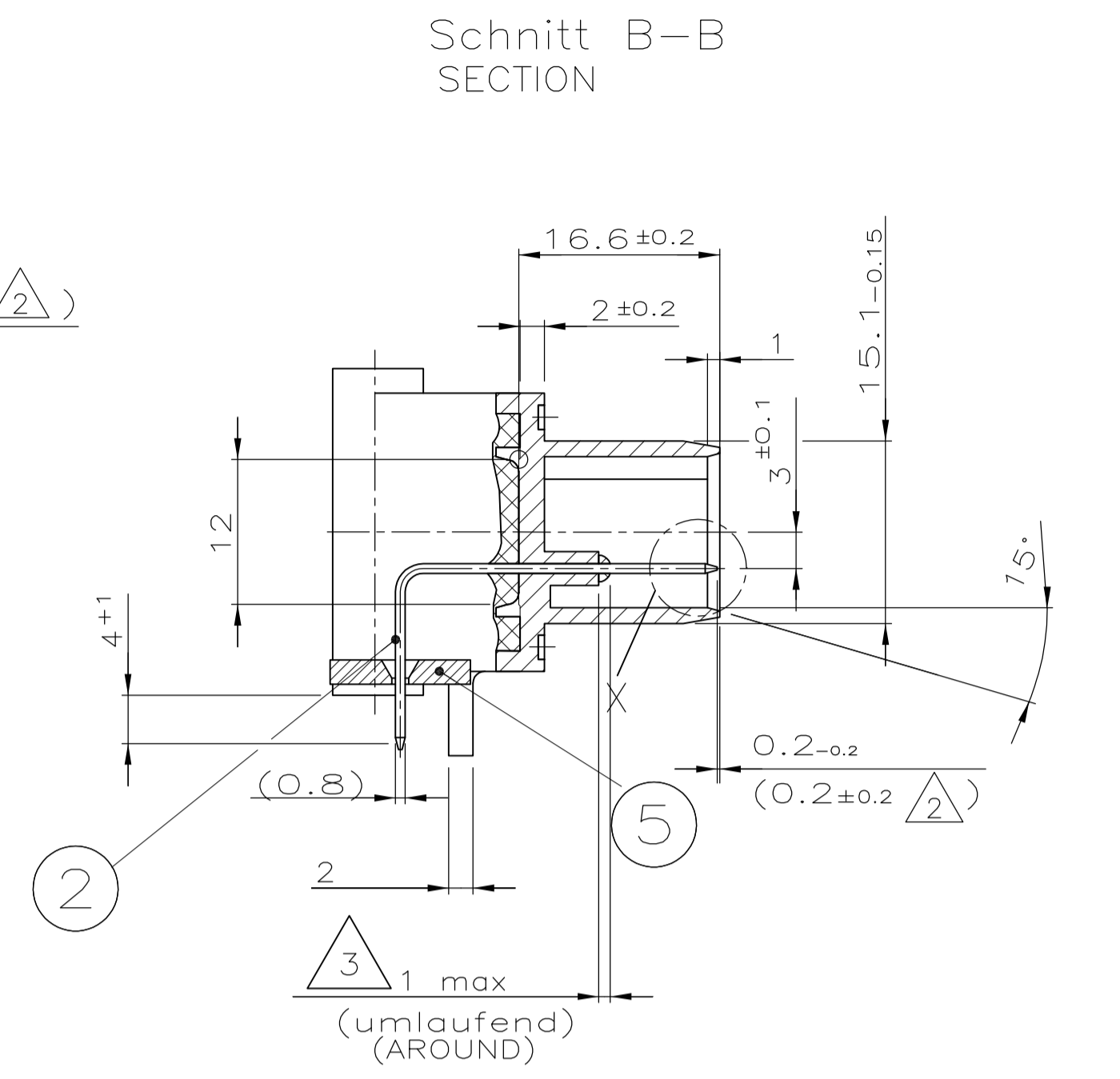
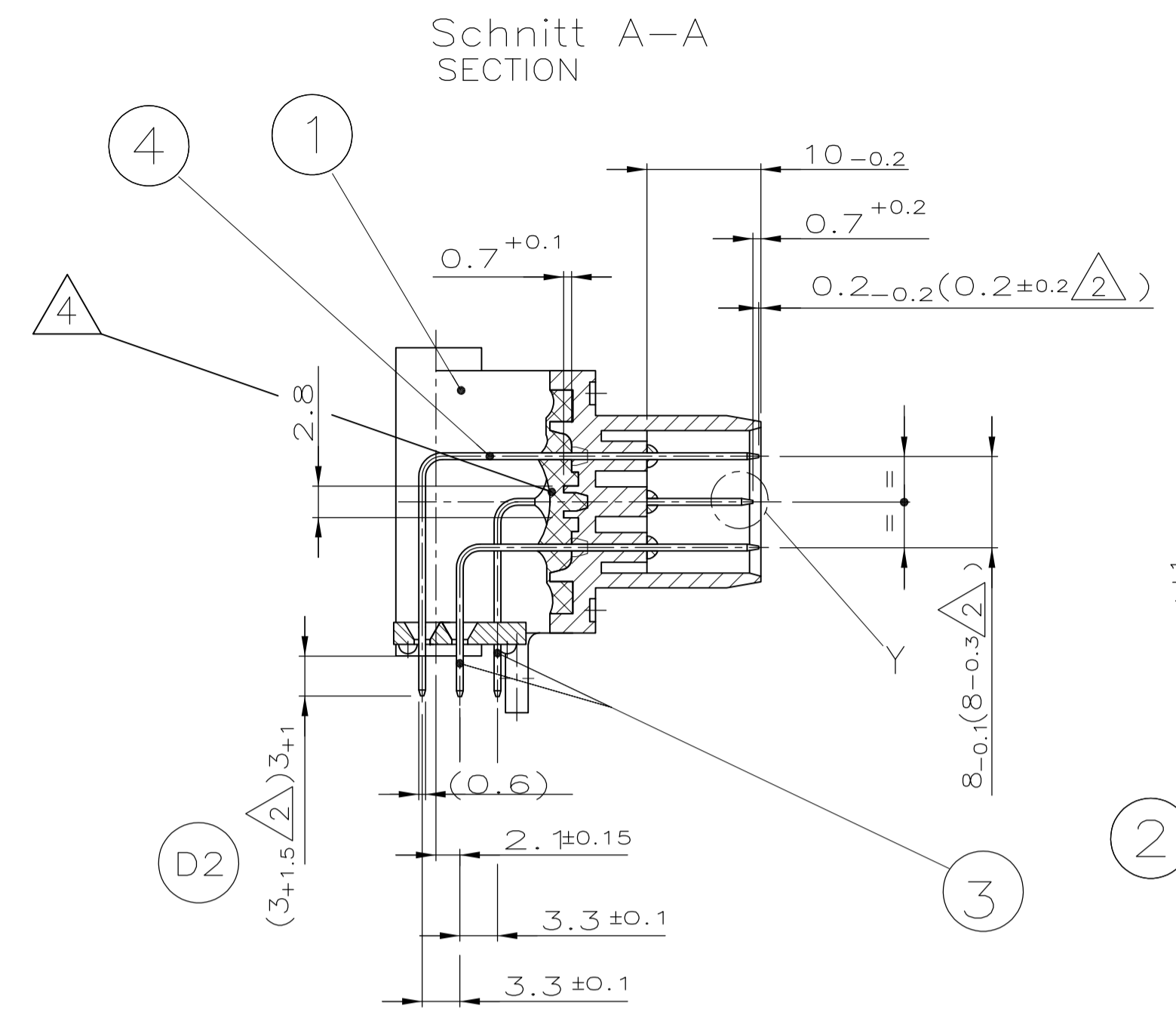
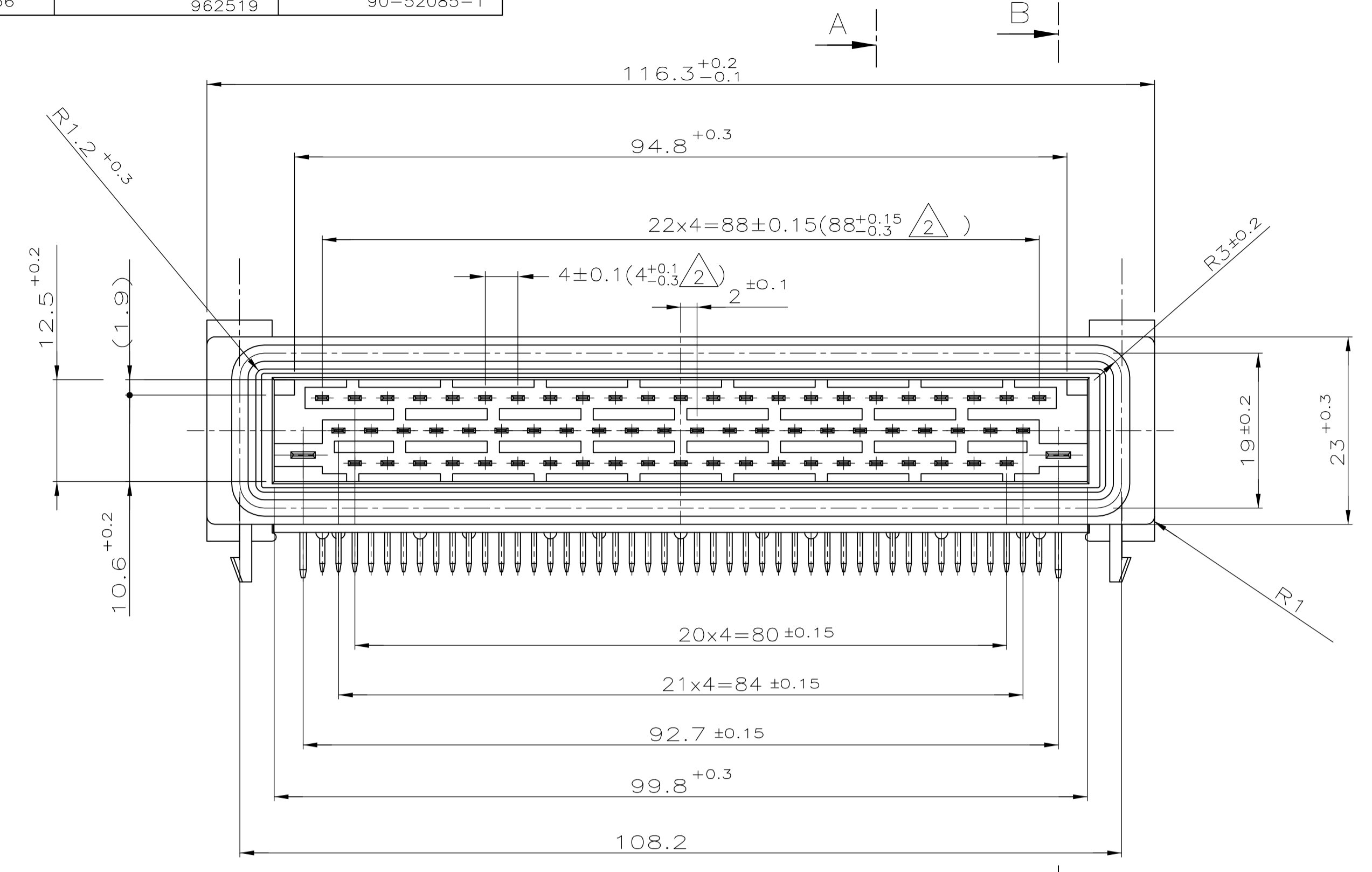
RESTRICTED TO

NAME: 68POL. MESSERLEISTE (2x3mm + 66x1.6mm Messer)

SIZE: A1

CAGE CODE: 00779

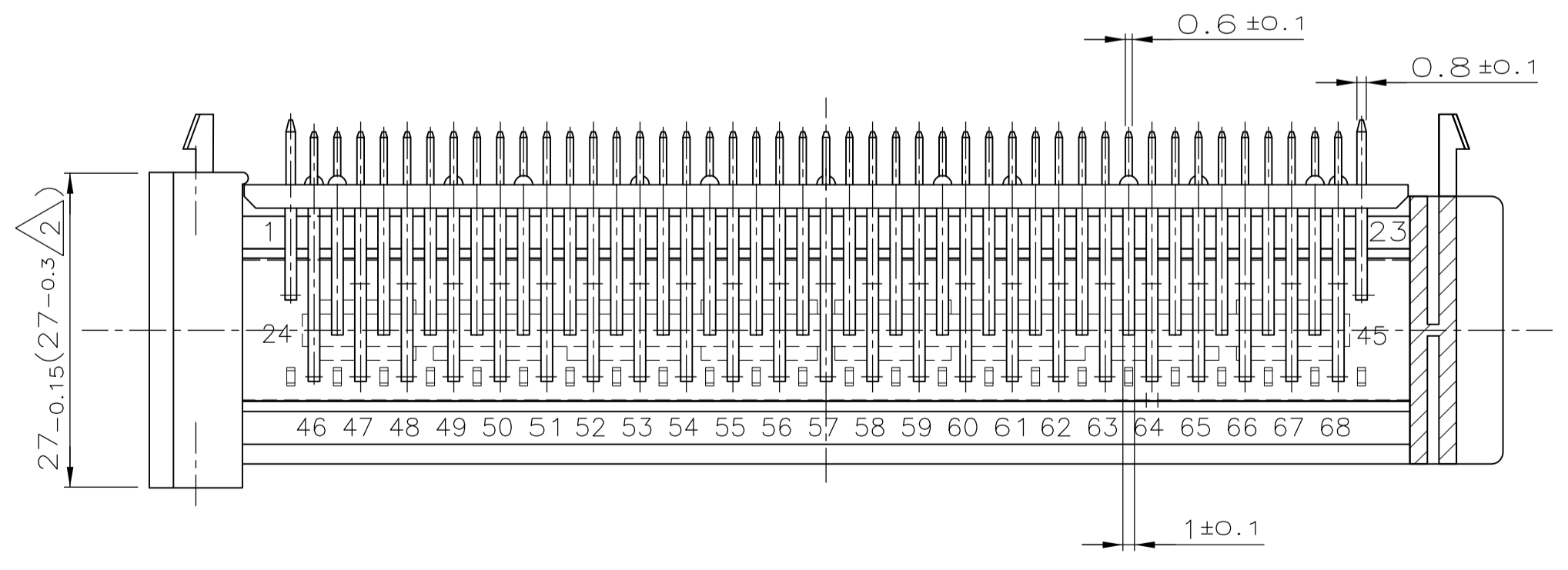
DRAWING NO: 963356



Muß verwendet werden mit:  
 MUST TO BE USED WITH:  
 Verriegelungsbügel - Bestell-Nr. 1-962519-1  
 LOCKING CLIP - Bestell-Nr. 1-962519-1  
 68pol.Flachkontaktgehäuse - Bestell-Nr. 963598-1  
 68POS.HOUSING - ORDER NO. 963598-1  
 Abdeckkappe - Bestell-Nr. 965053-1  
 COVER - ORDER NO. 965053-1

NOTES:

- CONTACT AREA 1-3µm HOT DIPPED (BLANK CUTTING EDGES)  
 SOLDERING AREA 6-10µm Sn
- DIMENSIONS AND TOLERANCES ONLY  
 VALID FOR TOOL 30-0238765  
 21-0050258
- MAXIMUM ALLOWED GLUE COMING THROUGH THE CONTACT  
 CAVITY TO THE INTERFACE SIDE
- FILLED WITH GLUE LOCTITE TYPE 363 UV



BESTELL-NR.	REV	STÜCK	POS.	BENENNUNG EINZELTEIL	WERKSTOFF	OBERFLÄCHE FARBE
3-963356-1	D	1	5	Zentrierleiste	PA 6.6 GF15	schwarz
		23	4	Messer (1.6mm; 49.8 lang)	CuSn6F41 ww. CuSn4	△
		43	3	Messer (1.6mm; 38.5 lang)	CuSn6F41 ww. CuSn4	△
		2	2	Messer (3.0mm; 40.6 lang)	CuSn6F41 ww. CuSn4	△
		1	1	Messerleiste	PA66-GF30	schwarz

THIS DRAWING IS A CONTROLLED DOCUMENT.

DIMENSIONS:	TOLERANCES UNLESS OTHERWISE SPECIFIED:
mm	0 PLC ± -
	1 PLC ± ± 0.3
	2 PLC ± ± 0.5
	3 PLC ± ± 0.7
	4 PLC ± ± 1.0
	ANGLES ± °

DIN B Honigmann 16SEP96		ZEICHNUNG GÜLTIG AB XX/YY.	
CIK L Post 16SEP96		STE TE Connectivity	
NAME		68POL. MESSERLEISTE	
PRODUCT SPEC		(2x3mm + 66x1.6mm Messer)	
APPLICATION SPEC		68POS. TAB HOUSING (2x3mm + 66x1.6mm TABS)	
SIZE	CAGE CODE	DRAWING NO	RESTRICTED TO
A1	00779	963356	
CUSTOMER DRAWING		SCALE 2:1	SHEET 2 OF 2 REV D2

## X-ON Electronics

Largest Supplier of Electrical and Electronic Components

*Click to view similar products for [Automotive Connectors](#) category:*

*Click to view products by [TE Connectivity](#) manufacturer:*

Other Similar products are found below :

[003-018-000](#) [60403001](#) [60993906-B](#) [M902-2131](#) [M902-2161](#) [72.330.1035.1](#) [73.353.4028.0](#) [F119300-B](#) [F166900](#) [F258300-B](#) [F358300-B](#)  
[F407400](#) [F444110](#) [F487000](#) [F509500B-B](#) [827153-1](#) [8N1515-32-24P](#) [9-1326729-8](#) [925474-1](#) [928905-1](#) [964562-4](#) [968782-1](#) [GT17SA-8DS-](#)  
[HU](#) [98891-1012](#) [98947-1016](#) [12004147](#) [12004475-L](#) [12010290](#) [12010309-B](#) [12015454](#) [12020219-B](#) [12020308](#) [12041318-B](#) [12052225-L](#)  
[12052466](#) [12059125](#) [12064869](#) [12004327-B](#) [12010503-B](#) [12015308](#) [12015384](#) [12015909](#) [1-21030-1](#) [12041254](#) [12041318](#) [12047946-B](#)  
[12047957](#) [12047957-L](#) [12059473](#) [12066261](#)