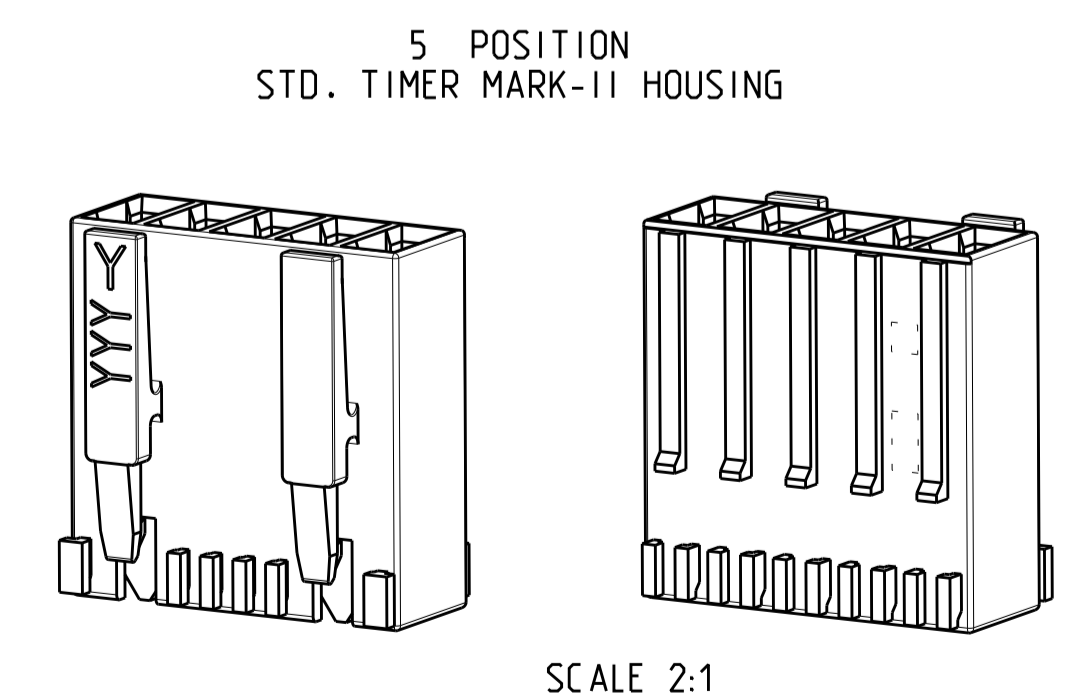
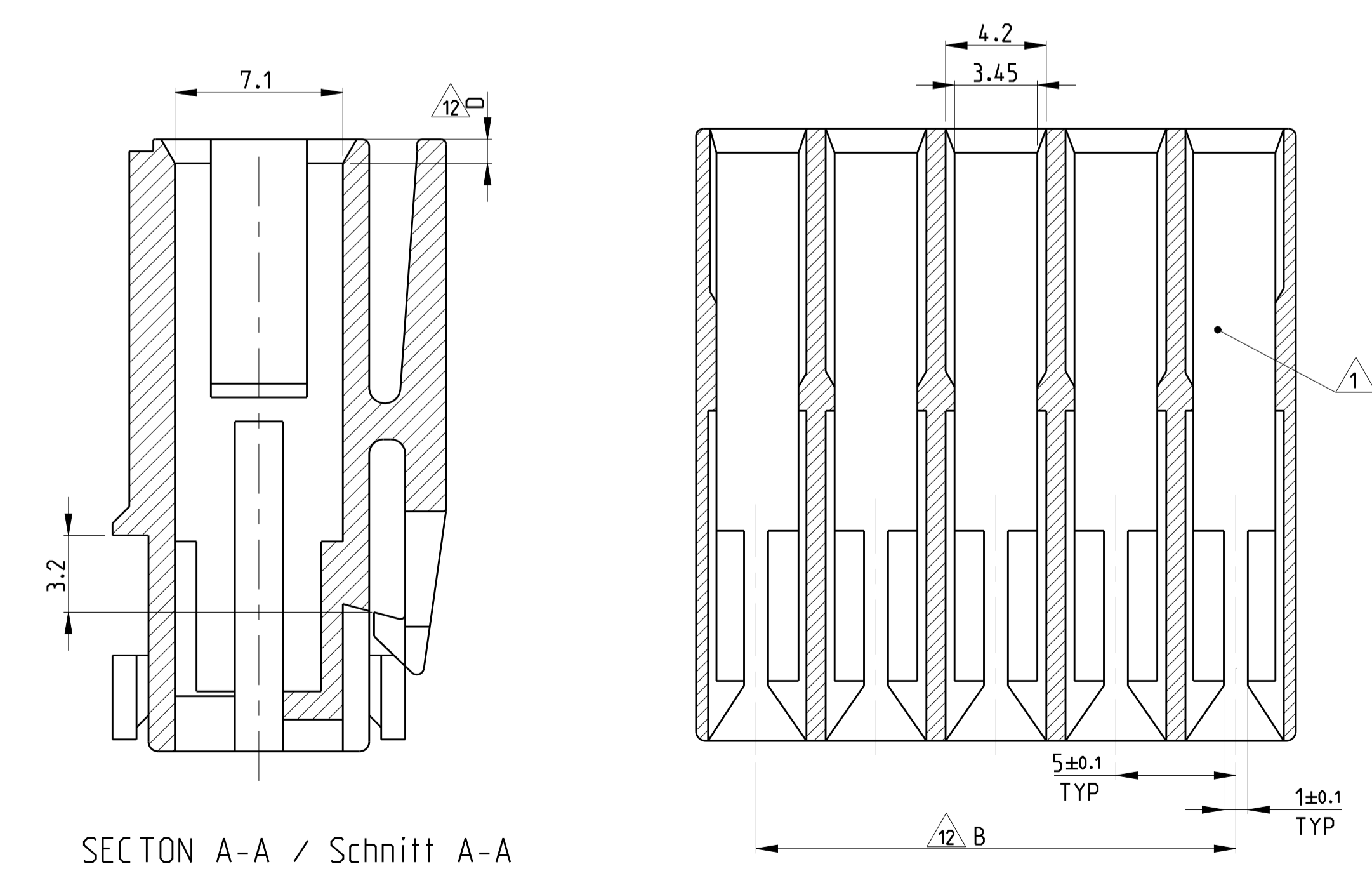
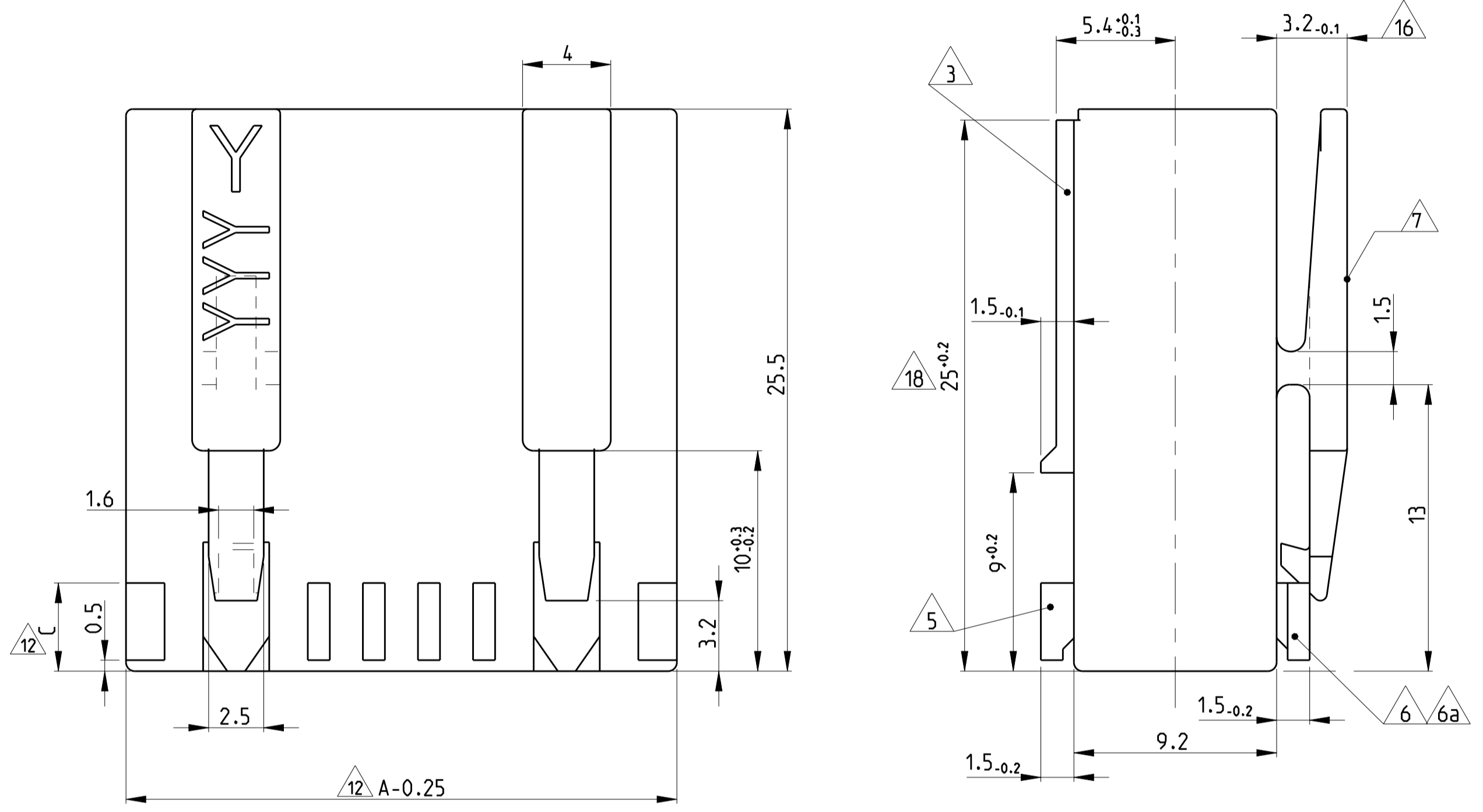
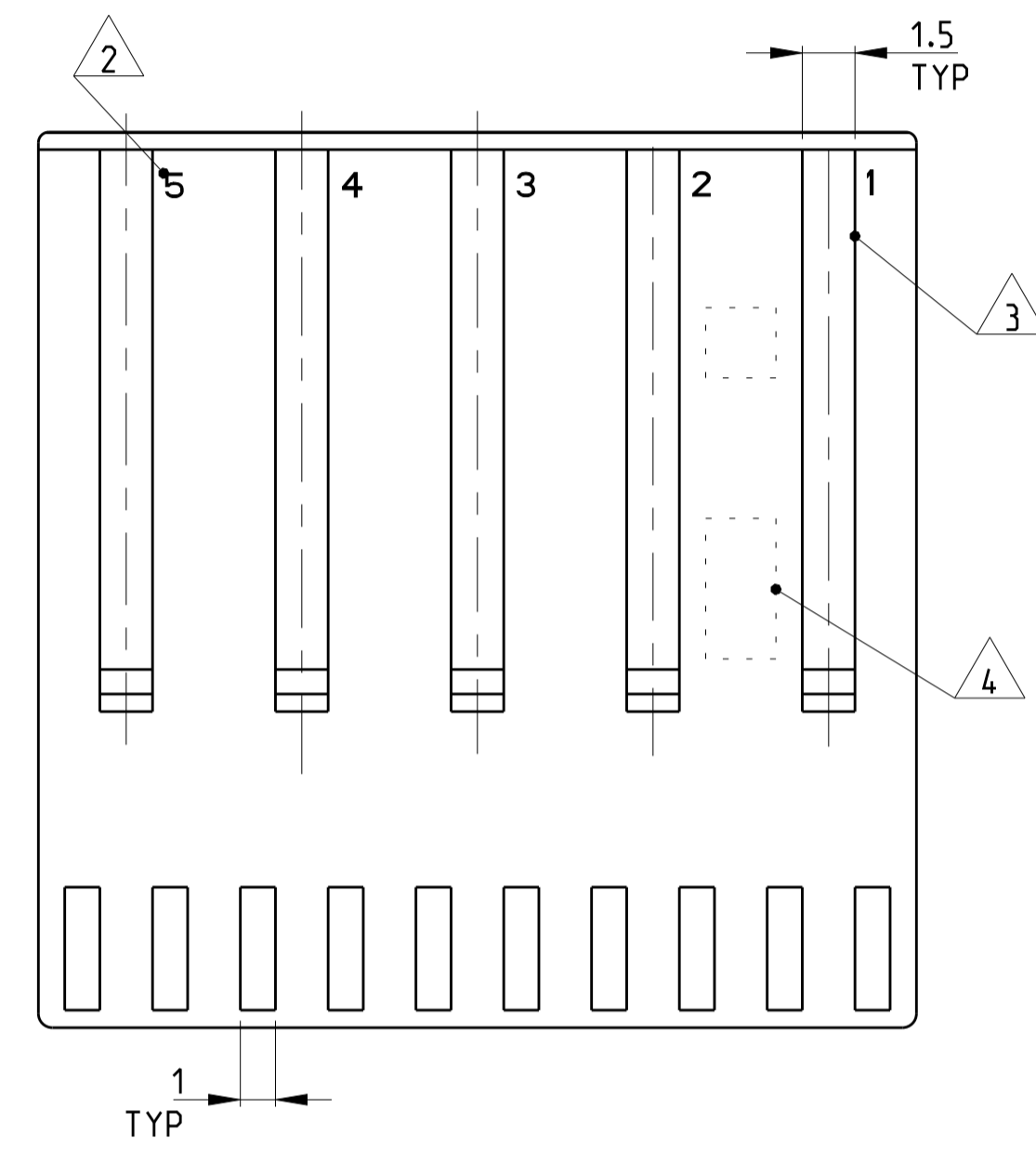
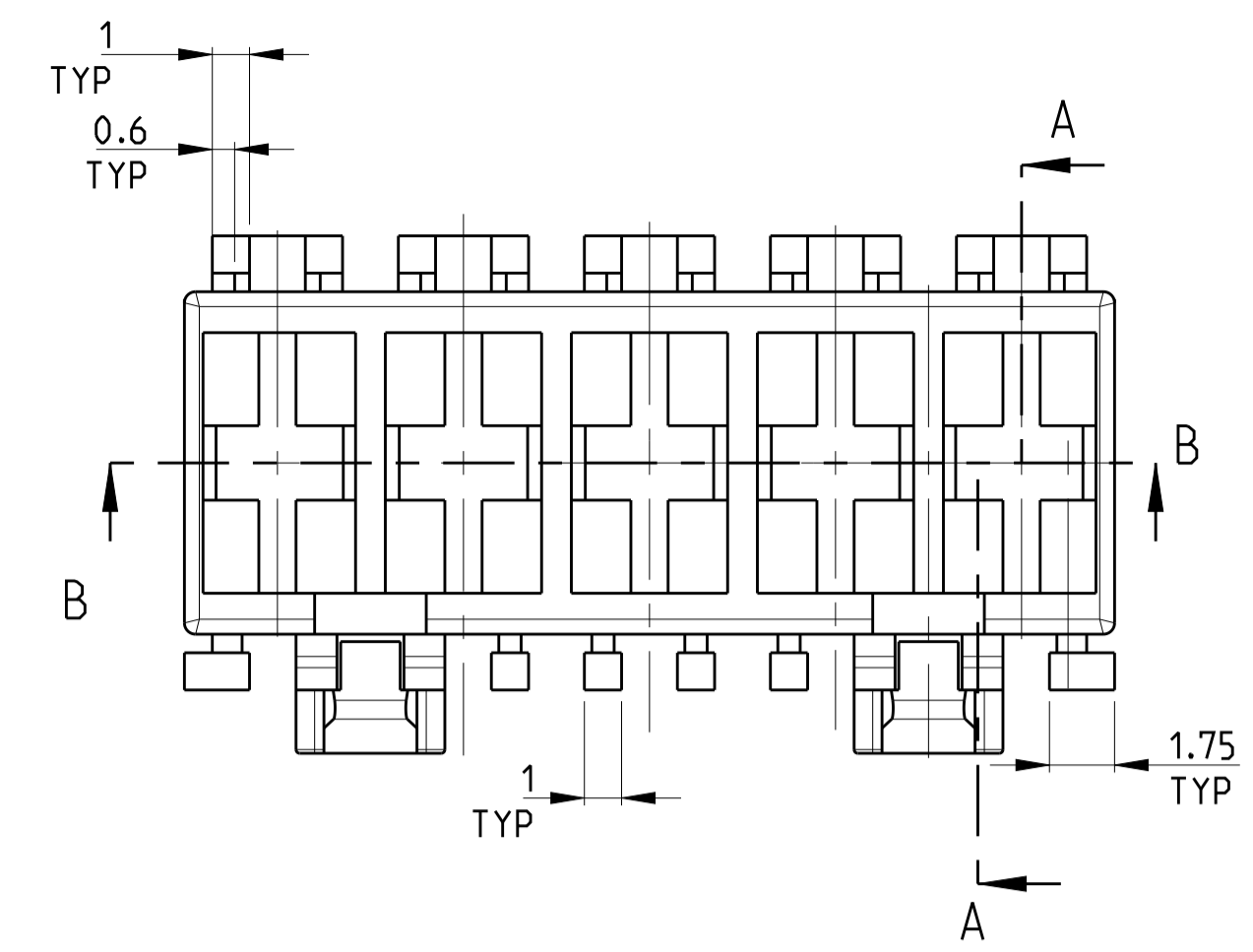


LOC	DIST	REV	DATE	APPV
A1	-	D	09 JUL 2020	KD FL
		D1	12 AUG 2020	KD FL
		E	11 SEP 2020	KD FL
		E1	12 JAN 2021	KD FL

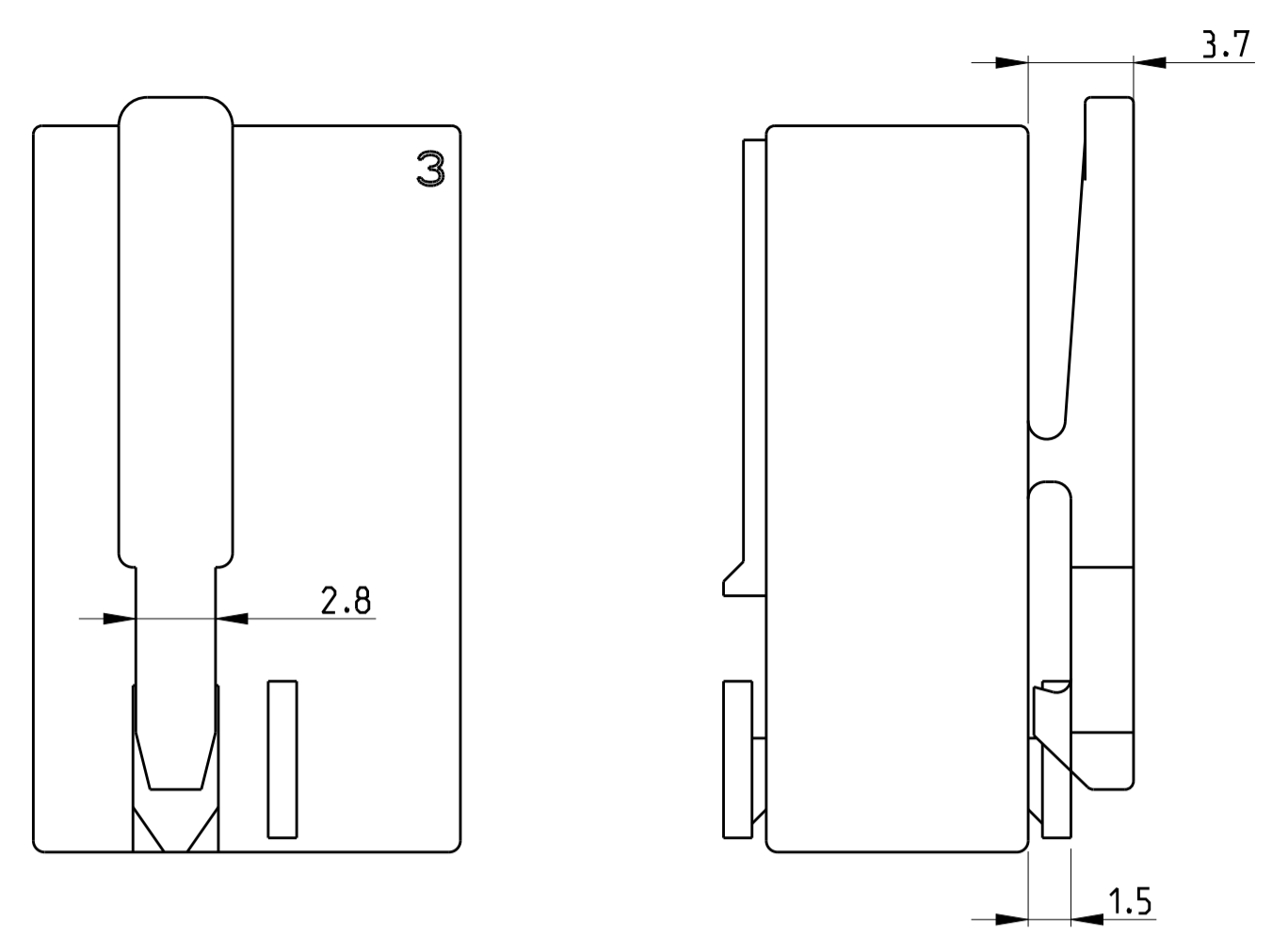
**REMARKS/Bemerkungen**

- 1 CAVITY SUITABLE FOR STANDARD TIMER CONTACTS LISTED IN PROD.SPEC. 108-18049. ITEM 3.3.2  
Kammer geeignet für Standard Timer Kontakte gelistet in Prod. Spec. 108-18049. Punkt 3.3.2
- 2 CONTACT CAVITY NO.  
Kontaktkammernummerierung
- 3 MATING STOP  
Tiefenanschlag
- 4 AREA FOR TE LOGO ACC: TO SPEC 202-36  
Bereich für TE Logo nach Spec. 202-36
- 5 POLARIZATION RIB POSITION "a" AND/OR "b"  
Polarisierungsrippe Position "a" und/oder "b"
- 6 KEYING RIB POSITION "c" AND/OR "d"  
Kodierrippe Position "c" und/oder "d"
- 6a KEYING RIB POSITION "c" AND/OR "d" AT THE END WALLS OF THE HOUSING  
Kodierrippe Position "c" und/oder "d" an den Gehäusestirnseiten
- 7 LOCKING LATCH  
Rasthaken
- 8 TE PART NO (PN)  
TE Bestell Nr. (PN)
- 9 DESIGN OF THE HOUSINGS ACC. TO RAST 5 STANDARD  
Gehäuseausführung gemäss RAST 5 Vorgabe
- 10 GENERAL SUITABLE TAB HEADER SEE RAST 5 PERFORMANCE  
Generell passende Flachsteckerwannen siehe RAST 5 Vorgabe
- 11 PACKAGING: BULK PACKAGING IN CORRUGATED BOX PN 740580-2  
2 POS. 2500 PIECES PER BOX / 3 POS. 2000 PIECES PER BOX  
Verpackung: Schüttgut in Versandkarton Pn 740580-2  
2pol. 2500 Stück per Karton / 3pol. 2000 Stück per Karton
- 12 DIMENSION A, B C AND D SEE SHEET 2 OF 3
- 13 MATERIAL CORRESPONDS TO THE REQUIREMENT EN 60335  
(INCL. GLOW WIRE TEST 750° WITHOUT FLAME)  
Material entspricht den Anforderungen der EN 60335  
(inkl. Glühdrahttest 750° ohne Flamme)
- 14 RATIO NUMBER OF THE KEYING VERSION, INKJET PRINTED. SEE SHEET 2  
Kodierungskennnummer, mit Tintenstrahldrucker aufgebracht. siehe Blatt 2
- 15 PRELIMINARY- NOT RELEASED FOR PRODUCTION
- 16 ONLY FOR 9-1241961-7. DIMENSION 3.2 -0.2
- 17 DOUBLE SOURCE RESIN: ALTERNATIVE RESIN UNDER APPROVAL
- 18 ALLOWED 25±0.2 FOR P/NS X-2364739-X.



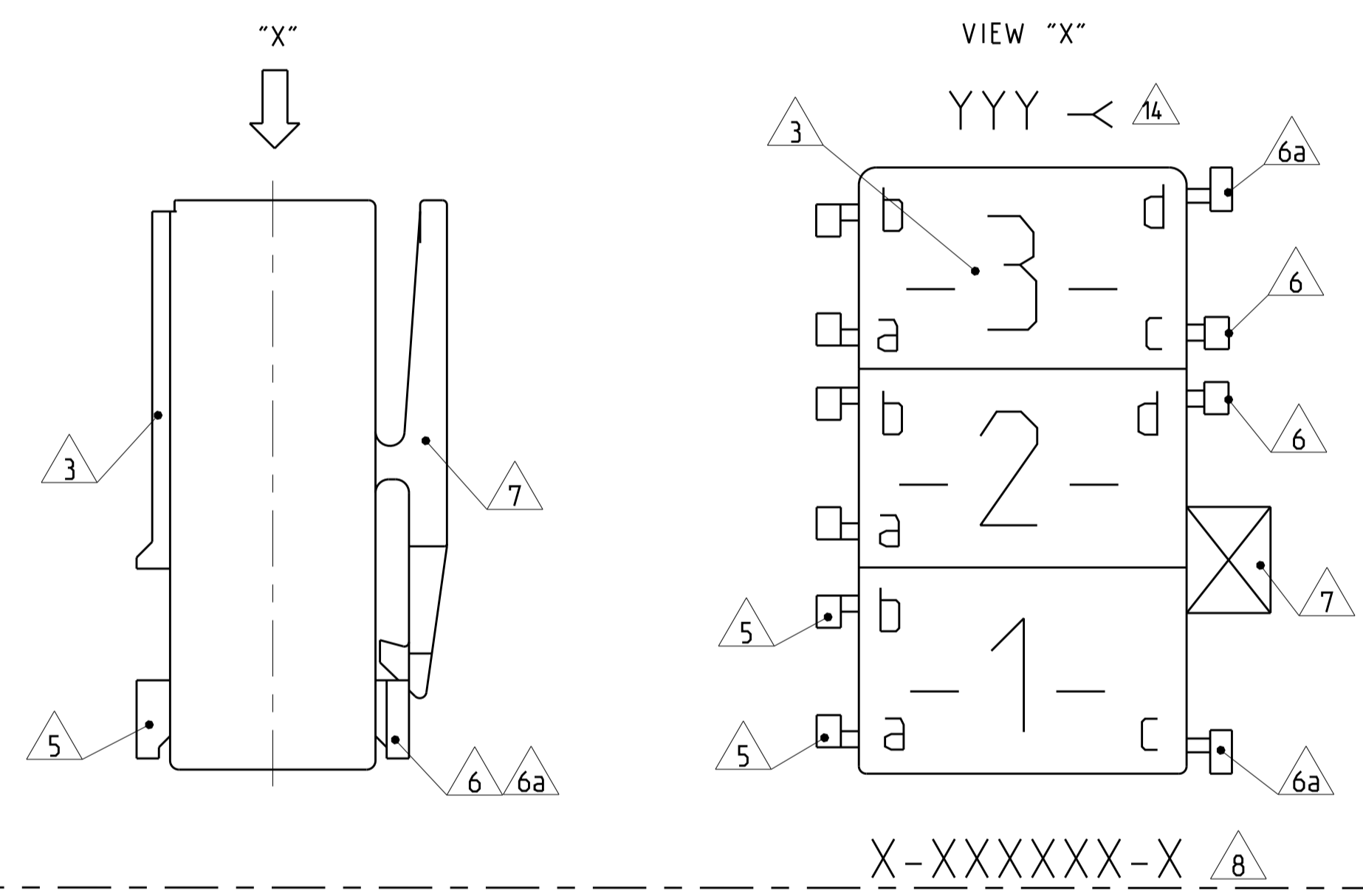
THIS DRAWING IS A CONTROLLED DOCUMENT.		DRW: Kishor M 18-10-07	TE Connectivity
DIMENSIONS: mm		CHK: K. Munz 18-10-07	
TOLERANCES UNLESS OTHERWISE SPECIFIED:		APPV: Th. Klenner 18-10-07	NAME: STANDARD TIMER HSG. RAST 5 MARK II Standard Timer Gehäuse RAST 5 Mark II
0 PLC ±0.2		PRODUCT SPEC: 108-18049-1	
1 PLC ±0.2		APPLICATION SPEC:	SIZE: CAGE CODE: DRAWING NO: RESTRICTED TO A1 00779 C=1241961
2 PLC ±0.2		WEIGHT: -	
3 PLC ±0.2		Customer Drawing	SCALE: 5:1 SHEET 1 OF 4 REV: E1
4 PLC ±0.2			
5 PLC ±0.2			
ANGLES: -			
FINISH: -			

ONLY 5-1241961-7, 1-1241961-9, 7-1241961-7, 2345753-1



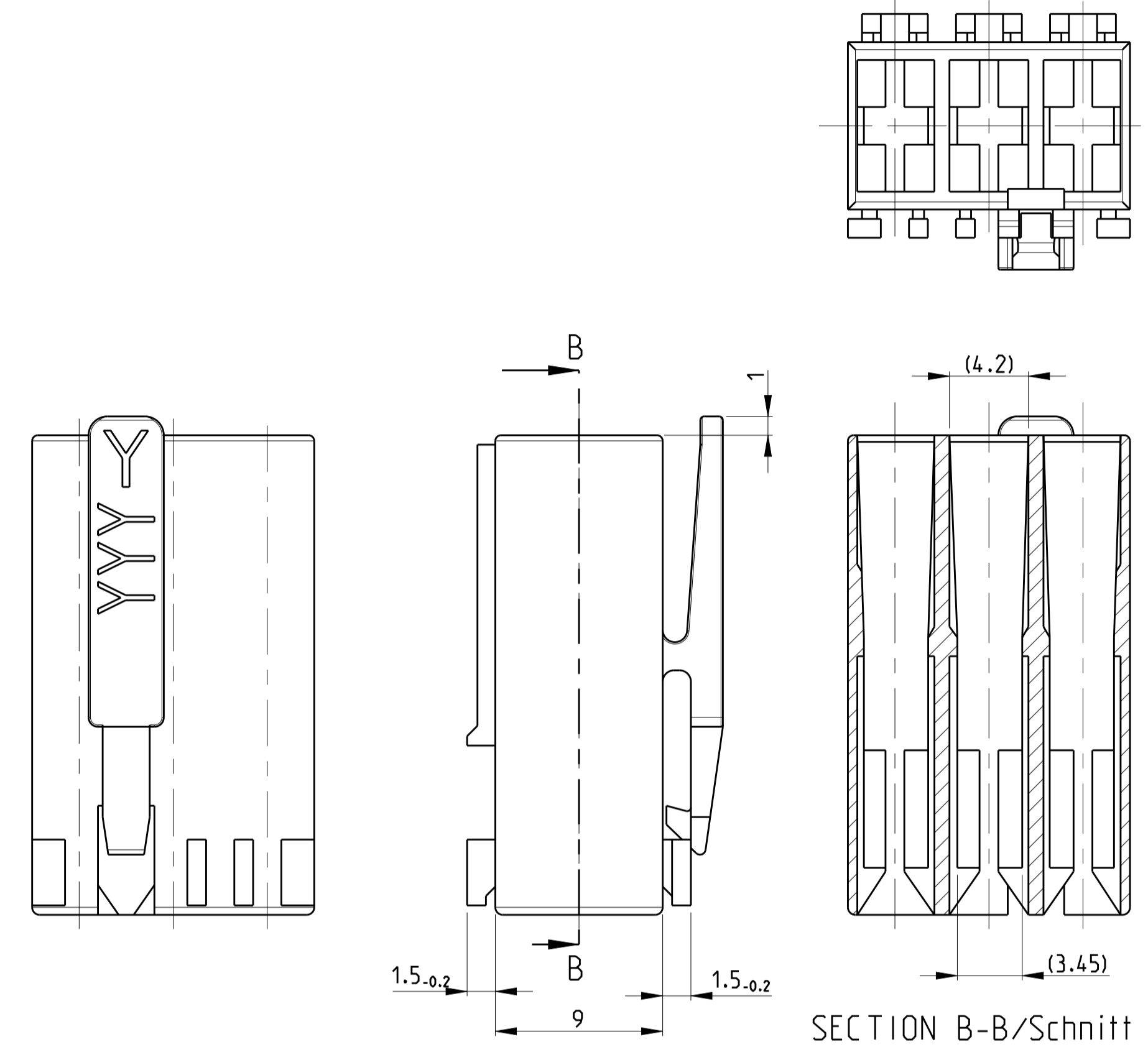
ALL OTHER DIMENSIONS SEE SHEET 1 OF 3

KEY LAYOUT DESCRIPTION



PAY ATTENTION !  
DIFFERENT CAVITY GEOMETRY AND LOCKING LATCH OVERHANG  
Bitte beachten !  
Unterschiedliche Kammergeometrie und Rasthakenuberstand.

FOR 2 POS. AND 3 POS.



ALL OTHER DIMENSIONS SEE SHEET 1 OF 3  
Alle anderen Masse siehe Seite 1 von 3

SPECIAL MATERIAL: UL94 V0								
2345753-1	3	6	1	15	10	PA66	NATURAL	C

SPECIAL MATERIAL								
1955507-4	4	6	1	20	15	PA66	NATURAL	1
9-1955506-2	2	6	1	10	5	UL 94 V0	NATURAL	1

PART NO	POS	DIM C	DIM D	DIM A	DIM B	MATERIAL	COLOUR	REV./Rev.
6-1241961-7	3			15	10	PA 6 UL94V-2	NATURAL	1
4-1241961-7	3			15	10	PA 6 UL94V-2	NATURAL	A
3-1241961-7	3	4	0.5	15	10	PA 6 UL94V-2	NATURAL	A
1-1955422-7	3			15	10	PA 66 UNFILLED UL94 V0	NATURAL	A
5-1955422-7	3			15	10	PA 66 UNFILLED UL94 V0	NATURAL	A
4-1955422-3	2	6	1	10	5	PA 66 UNFILLED UL94 V0	NATURAL	A
2-1241817-3	3	4 or 6	0.5 or 1	15	10	PA 66 UL94 V-2	Green	E
0-1955422-6	3			15	10	PA 66 UNFILLED UL94 V0	NATURAL	A
8-1241961-8	3			15	10	PA 6 UL94V-2	natural	C
0-1241961-8	3			15	10	PA 6 UL94V-2	natural	A
8-1241961-3	2	4	0.5	10	5	PA 6 UL94V-2	NATURAL	C
3-1241961-1	2			10	5	PA 6 UL94V-2	NATURAL	C
0-1955422-1	2			10	5	PA 66 UNFILLED UL94 V0	NATURAL	A

SPECIAL VERSION: UL94 V0 & GWT 750NF							
2178571-3	4			20	15	PA 66. UL94 V-0	NATURAL
2178571-1	3	4	1	15	10	PA 66. UL94 V-0	NATURAL
2178571-2	2			10	5	PA 66. UL94 V-0	NATURAL
1-2178571-3	3			15	10	PA 66. UL94 V-0	NATURAL
PART NO	POS	DIM C	DIM D	DIM A	DIM B	MATERIAL	COLOUR Farbe

REVISIONS									
LOC	DIST	P	LTR	DESCRIPTION	DATE	DWN	APVD	SEE SHEET-01	
0-1241959-5	5			25	10				B
4-1241959-4	4	4	0.5	20	15	PA 6 UL94V-2	Natural/natur		A
2-1241959-4	4			20	15				B
0-1241959-4	4			20	15				B
2-1241817-5	5	6	1	25	20	PA 6.6 UL94V-2	Natural/natur		C
0-1241817-5	4	0.5		25	20		Black/schwarz		
3-1241817-4	4			20	15		Violet/violett		
2-1241817-4	4	6	1	20	15		Grey/grau		
0-1241817-4	4	0.5		20	15		Natural/natur		
2-1241983-2				10	5		Green/grün		
1-1241983-2				10	5		Violet/violett		
0-1241983-2	2	4	0.5	10	5	PA 6 UL94V-2	TARGET RAL 4001		C
8-1241983-2				10	5		Yellow/gelb		
5-1241983-3				10	5		Black/schwarz		
6-1241983-2				10	5		Blue/blau		
6-1241983-2				10	5		Red/rot		
9-1241961-7		4	0.5	15	10				
9-1241961-8		4	0.5	15	10				
6-1241961-8		4	0.5	15	10				
5-1241961-8		4 or 6	0.5 or 1	15	10				
4-1241961-8		4	0.5	15	10				
7-1241961-8		4	0.5	15	10				
1-1241961-8		4 or 6	0.5 or 1	15	10				
3-1241961-8		6	1	15	10				
2-1241961-8				15	10				
2-1241961-7				15	10				
1-1241961-7		4	0.5	15	10				
9-1241961-9				15	10				
0-1241961-6				15	10				
3-1241961-3				10	5				
2-1241961-2				10	5				
5-1241961-2				10	5				
4-1241961-3				10	5				
7-1241961-2				10	5				
7-1241961-3				10	5				
6-1241961-3				10	5				
3-1241961-2				10	5				
5-1241961-3				10	5				
6-1241961-2				10	5				
0-1241961-3				10	5				
8-1241961-2				10	5				
9-1241961-2				10	5				
0-1241961-1				10	5				
9-969484-9	3	6	1	15	10	PA 6.6 UL94V-2	Yellow/gelb		
2-969484-8				15	10				
4-969484-8		4 or 6	0.5 or 1	15	10				
0-969484-8				15	10				
9-969484-7		4	0.5	15	10				
8-969484-7				15	10				
7-969484-7				15	10				
6-969484-7				15	10				
5-969484-7		4	0.5	15	10				
4-969484-7				15	10				
3-969484-7		4	0.5	15	10				
2-969484-7		4	0.5	15	10				
1-969484-7	3	4	0.5	15	10				
0-969484-7				15	10				
9-969484-6				15	10				
8-969484-6		6	1	15	10				
7-969484-6				15	10				
6-969484-6				15	10				
5-969484-6				15	10				
4-969484-6				15	10				
3-969484-6		6	1	15	10				
2-969484-6				15	10				
1-969484-6				15	10				
0-969484-6				15	10				
9-969484-3				10	5				
8-969484-3				10	5				
7-969484-3				10	5				
6-969484-3		4	0.5	10	5				
5-969484-3				10	5				
4-969484-3				10	5				
3-969484-3				10	5				
2-969484-3				10	5				
1-969484-3				10	5				
0-969484-3				10	5				
9-969484-2				10	5				
8-969484-2				10	5				
7-969484-2				10	5				
6-969484-2		4	0.5	10	5				
5-969484-2				10	5				
4-969484-2				10	5				
3-969484-2				10	5				
2-969484-2				10	5				
1-969484-2				10	5				
0-969484-2		6	1	10	5				
9-969484-1				10	5				
8-969484-1		4	1	10	5				
7-969484-1				10	5				
6-969484-1		6	1	10	5				
5-969484-1				10	5				
4-969484-1		6	1	10	5				
3-969484-1				10	5				
2-969484-1		4	0.5	10	5				
1-969484-1				10	5				
0-969484-1				10	5				

THIS DRAWING IS A CONTROLLED DOCUMENT. DWG: Kishor M 18-10-07, CHK: K. Murtz 18-10-07, APVD: T. Klenner 18-10-07

DIMENSIONS: mm. TOLERANCES UNLESS OTHERWISE SPECIFIED: 0 PLC ±0.2, 1 PLC ±0.2, 2 PLC ±0.2, 3 PLC ±0.2, 4 PLC ±0.2, ANGLES FINISH: \*

MATERIAL: SEE TABLES, SHEETS PAGE 2 AND 3 OF 4. WEIGHT: -. RESTRICTED TO: Customer Drawing

STANDARD TIMER HSG. RAST 5 MARK II Standard Timer Gehäuse RAST 5 Mark II

SIZE: A1. CAGE CODE: 00779. DRAWING NO: 1241961. SHEET: 2 OF 4. REV: E1

THIS DRAWING IS UNPUBLISHED. RELEASED FOR PUBLICATION  
 © COPYRIGHT 2011 ALL RIGHTS RESERVED.

LOC	DIST	P	LTR	DESCRIPTION	DATE	DWN	APVD
				SEE SHEET 1			

SPECIAL VERSION: UL94 V0 & GWEPT 750°C NF									
2364739-5	5			25	20			BLUE	C
2364739-4	4			20	15			BLUE	C
1-2364739-3	3			15	10			BLUE	C
2364739-3	3	4	0.5	15	10			BLUE	C
1-2364739-2	2			10	5			BLUE	C
2364739-2	2			10	5			BLUE	C
3-2364739-2	2			10	5			BLUE	C
2-2364739-2	2			10	5			BLUE	C


SPECIAL VERSION: UL94 V0 & GWT 750 NF & CTI 350									
5-1241961-7	3			15	10			NATURAL	A
1-1241961-9	3	6	1	15	10			NATURAL	A
7-1241961-7	3			15	10			NATURAL	A

SPECIAL VERSION: UL94 V0 & GWT 750 NF									
2322164-1	4	4	0.5	20	15			NATURAL	1

SPECIAL VERSION: UL94 V2 & GWT 750 NF									
6-2178575-7	3	4	0.5	15	10			NATURAL	A

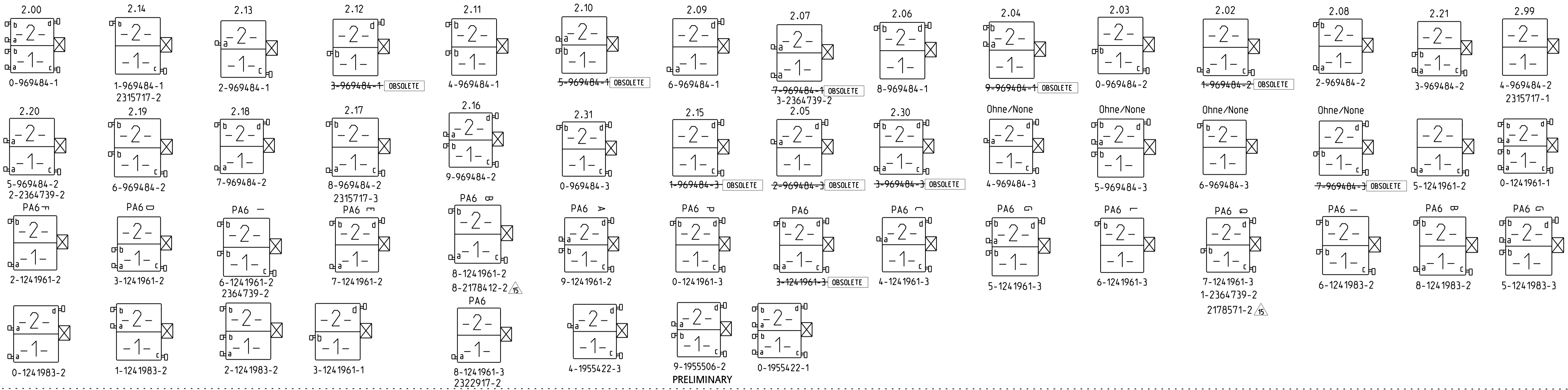
SPECIAL VERSION: UL94 V0 & GWT 750 NF									
3-2178412-7	3			15	10			NATURAL	1
4-2178412-7	3	6	1	15	10			NATURAL	1
8-2178412-2	2			10	5			NATURAL	1

UL94 V0 & GWT 750 NF										
2322917-4	4	4	0.5	20	15			NATURAL	C	
2322917-2	2			10	5			NATURAL	C	
2315717-1	2			10	5			NATURAL	C	
2315717-2	2			10	5			NATURAL	C	
2315717-3	2			10	5			NATURAL	C	
2315717-4	4	4	0.5	20	15			NATURAL	C	
2315717-5	4			20	15			NATURAL	C	
2315717-6	3			15	10			NATURAL	C	
2315717-7	3			15	10			NATURAL	C	
1-2315717-3	3			15	10			NATURAL	1	
PART NO.	POS	DIM C	DIM D	DIMA	DIM B			MATERIAL	COLOUR	REV.

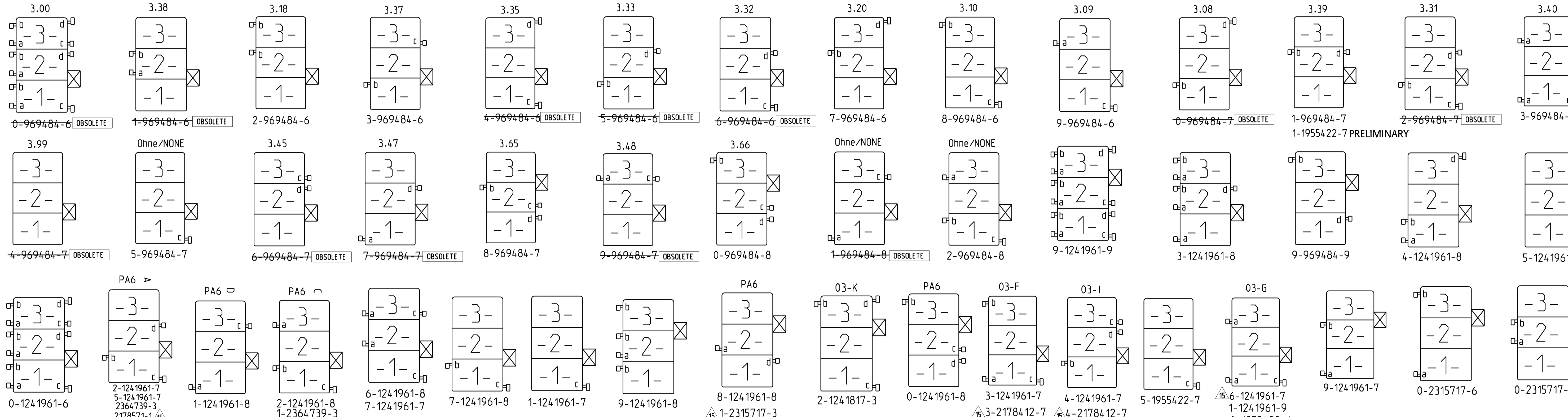
THIS DRAWING IS A CONTROLLED DOCUMENT.		DWN	Kishor M	18-10-07	 TE Connectivity NAME STANDARD TIMER HSG. RAST 5 MARK II Standard Timer Gehäuse RAST 5 Mark II PRODUCT SPEC 108-18049 APPLICATION SPEC SIZE CAGE CODE DRAWING NO A1 00779 C=1241961 RESTRICTED TO
DIMENSIONS: mm		CHK	K. Munz	18-10-07	
TOLERANCES UNLESS OTHERWISE SPECIFIED:		APVD	T. Klenner	18-10-07	
0 PLC ±0.2 1 PLC ±0.2 2 PLC ±0.2 3 PLC ± 4 PLC ± ANGLES *° FINISH -		WEIGHT -		SCALE 5:1 SHEET 3 OF 4 REV E1	
MATERIAL SEE TABLES. SHEETS PAGE 2 AND 3 OF 4		Customer Drawing			

LOC		DIST		REVISIONS			
P	LTN	DESCRIPTION		DATE	DRN	APVD	
SEE SHEET-01							

### 2 POSITION VARIANTS

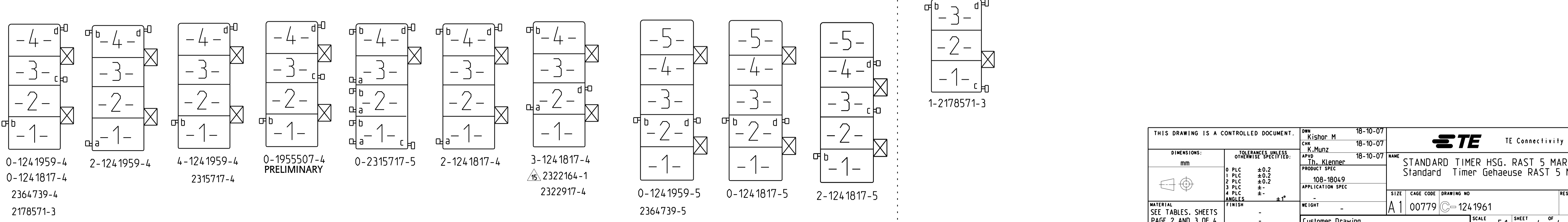


### 3 POSITION VARIANTS



### 4 POSITION VARIANTS

### 5 POSITION VARIANTS



THIS DRAWING IS A CONTROLLED DOCUMENT.		DRN: Kishor M 18-10-07	 TE Connectivity	NAME: STANDARD TIMER HSG. RAST 5 MARK II Standard Timer Gehäuse RAST 5 Mark II
DIMENSIONS: mm		CHK: K. Murtz 18-10-07		
TOLERANCES UNLESS OTHERWISE SPECIFIED:		APVD: T. Klenner 18-10-07	SIZE: A1	
0 PLC ±0.2		PRODUCT SPEC: 108-18049	CAGE CODE: 00779	
1 PLC ±0.2		APPLICATION SPEC: -	DRAWING NO: 1241961	
2 PLC ±0.2		WEIGHT: -	SHEET 4 OF 4	
3 PLC ±0.2		REVISIONS: -	SCALE: 5:1	
4 PLC ±0.2		Customer Drawing	REV: E1	
ANGLES: -				
FINISH: -				

## X-ON Electronics

Largest Supplier of Electrical and Electronic Components

*Click to view similar products for [Automotive Connectors](#) category:*

*Click to view products by [TE Connectivity](#) manufacturer:*

Other Similar products are found below :

[003-018-000](#) [600858](#) [60403001](#) [60993906-B](#) [60993913-B](#) [629515004020001](#) [M83723/71R1808N L/C](#) [M902-2131](#) [M902-2161](#) [M902-2344](#)  
[72.330.1035.1](#) [73.353.4028.0](#) [F118010](#) [F119300-B](#) [F132210](#) [F166900](#) [F180100](#) [F258300](#) [F258300-B](#) [F294300-B](#) [F339100](#) [F339700](#)  
[F358300-B](#) [F374110](#) [F407400](#) [F412210](#) [F444110](#) [F487000](#) [F495100](#) [F500900-B](#) [F509500B-B](#) [770444-1](#) [827153-1](#) [881735-1](#)  
[8N1515-32-24P](#) [9-1326729-8](#) [925467-1](#) [925474-1](#) [928905-1](#) [936398-2](#) [964562-4](#) [964731-2](#) [968782-1](#) [GT17SA-8DS-HU](#) [GT17VS-10DP-](#)  
[5.2CF](#) [98315-0001](#) [98315-0010](#) [98891-1012](#) [98895-2014](#) [98936-1039](#)