

C. J. [Signature]
 DESCRIPTION: 7-16-90
 APP'D./DATE: 5
 REV

SAFETY ORGANIZATION(S):

THIS FILTER HAS BEEN FORMALLY RECOGNIZED, CERTIFIED OR APPROVED BY THE LISTED AGENCY. THEREFORE, ALL TEST/REQUIREMENTS SPECIFIED IN THE LATEST REVISION OF THE FOLLOWING AGENCY STANDARDS HAVE BEEN MET:

- UL RECOGNIZED
- CSA CERTIFIED
- VDE APPROVED
- SEV APPROVED
- UL 1283
- CSA 22.2, NO. 0, 0.4, 8
- VDE 565-3
- SEV 1055/TP1977/5.1.1

OPERATING SPECIFICATIONS:

LINE VOLTAGE/CURRENT:

- 3 AMP., 120/250 VAC
- 3 AMP./40°C, 250 VAC
- 50-60Hz
- 40°C

LINE FREQUENCY:
 MAX. CASE RISE @ RATED CURRENT:
 MAX. LEAKAGE CURRENT, EACH
 LINE TO GROUND

OPERATING AMBIENT TEMP. RANGE:
 IN AN AMBIENT, T_a , HIGHER THAN 40°C, THE MAXIMUM OPERATING CURRENT, I_o , IS AS FOLLOWS:

$$I_o = I_r \sqrt{\frac{85 - T_a}{45}}$$

- 40°C TO +85°C
- 21 DAYS @ 40°C 95% RH
- 6 TIMES RATED CURRENT FOR 8 SECONDS

TEST SPECIFICATIONS:

- INDUCTANCE: 7.06 mH NOMINAL
- CAPACITANCE: (MEASURED @ 1 KHz, 0.25 VAC MAX., 25°C ±1°C)
- LINE TO GROUND: .006µF ±20%
- LINE TO LINE: .54µF ±20%
- DISCHARGE RESISTOR 330 KΩ
- LINE/GROUND AND LINE/LINE 6000 MΩ (MIN) AT 100 VDC
- INSULATION RESISTANCE 20°C AND 50% RH

RECOMMENDED RECEIVING INSPECTION HIPOT:

- LINES TO GROUND: 2250 VDC FOR 1 MINUTE
- LINE TO LINE: 1450 VDC FOR 1 MINUTE

FILTER APPROVAL:

THE BEST WAY TO SELECT AND QUALIFY A FILTER IS FOR YOUR ENGINEERING TO TEST THE UNIT IN YOUR EQUIPMENT.

TOLERANCE EXCEPT AS NOTED

DECIMAL: .XXX .XX .X ANGLES ± 1°
 ENGLISH: ±.025
 METRIC: ±

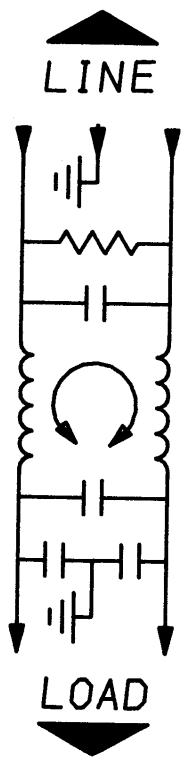
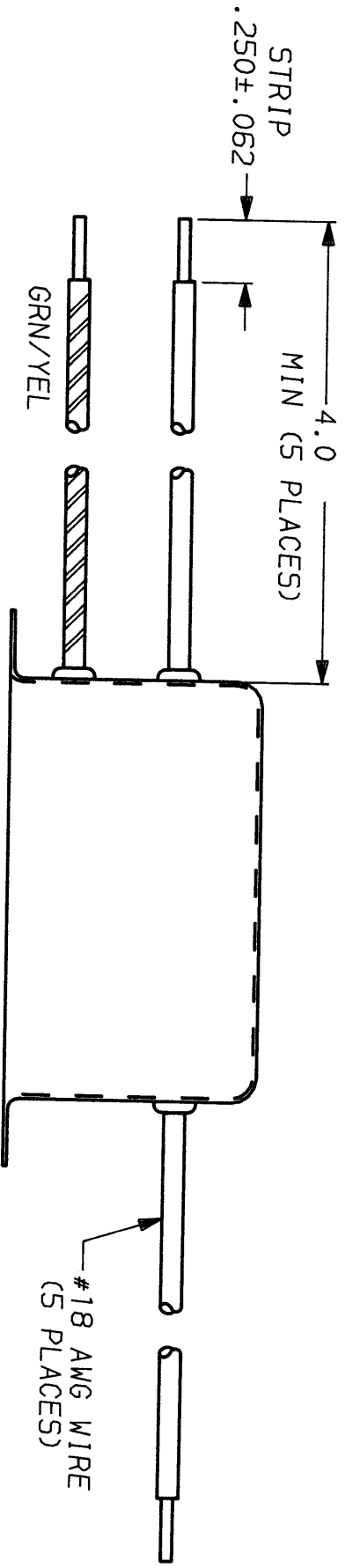
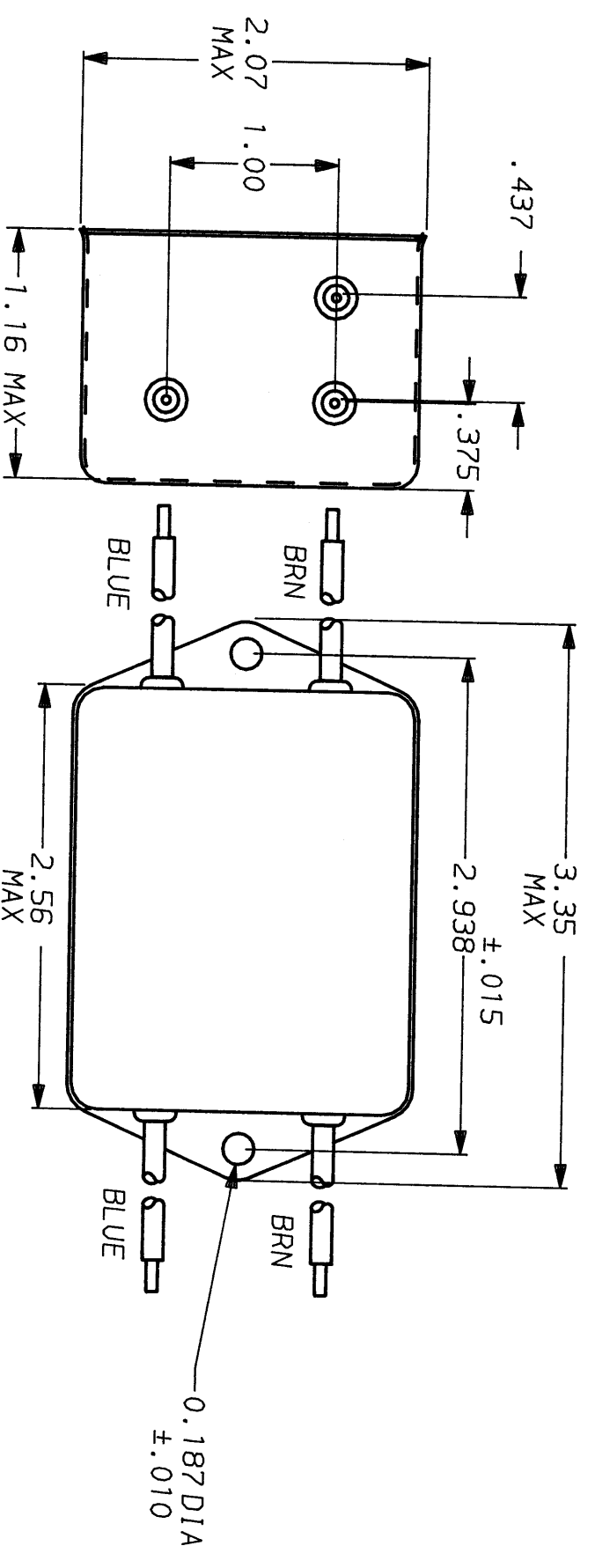
AS SUPPLIED

AS SUPPLIED



POWER LINE FILTER

SCALE: NTS 9-12-89
 DRG. BY: TDL
 ORIGINATOR: CW
 DRG. NO.: 3ESK3.05
 REV.



50Ω - 50Ω (MINIMUM) INSERTION LOSS

FREQUENCY MHZ	.01	.02	.05	.08	.1	.15	.5	1	5	10	20	30
COMMON DB	6	12	20	28	29	32	48	40	38	38	38	35
DIFF. DB	1	1	2	3	10	25	59	65	65	65	50	50

This document is proprietary to CORCOM INC. and is not to be reproduced nor used for manufacturing purposes except on CORCOM's order or prior written consent.

X-ON Electronics

Largest Supplier of Electrical and Electronic Components

Click to view similar products for [Power Line Filters](#) category:

Click to view products by [TE Connectivity](#) manufacturer:

Other Similar products are found below :

[6609019-3](#) [6609026-5](#) [6609030-6](#) [6609973-2](#) [D30A](#) [7-1609090-5](#) [F2810](#) [F4456A](#) [F7382Z](#) [F7863Z](#) [FAHAV3100ZC000](#) [806276](#) [FN2020B-1-06](#) [FN2080B-10-06](#) [FN2410H-32-33](#) [FP144](#) [FS4153-20-06](#) [FS4353-500-99](#) [12-MMB-030-11-D](#) [DB4-393](#) [15811T200](#) [20B1](#) [LC630](#) [2B1](#) [1609080-2](#) [1609993-8](#) [1-6609070-1](#) [F1100AA02](#) [F1150CC10](#) [F1500CA10](#) [F1500CA15](#) [F4041Z](#) [F7585E](#) [1B1](#) [FN2070A-16-06](#) [FN2090A-20-06](#) [FN2090B-12-06](#) [FN2090Z-1-06](#) [FN2410H-25-33](#) [FN2410H-60-34](#) [FN2410H-8-44](#) [FN2412H-8-44](#) [FN323B-6-01](#) [FN3258H-130-35](#) [FN610R-3-06](#) [20EHQ7](#) [20EHZ7](#) [20K1](#) [30B6](#) [3K1](#)