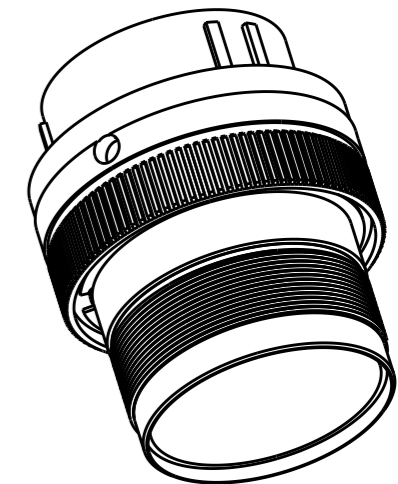
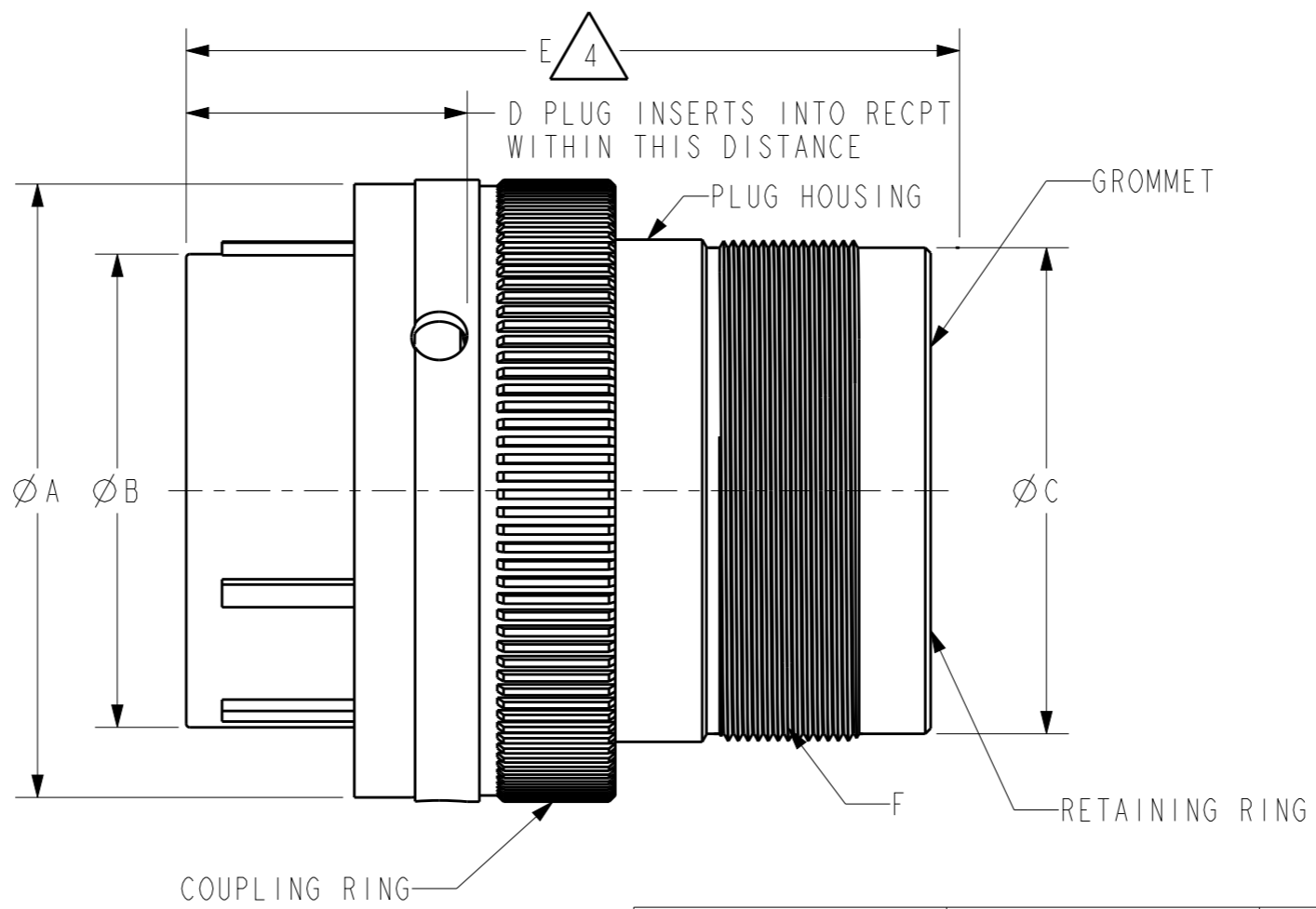
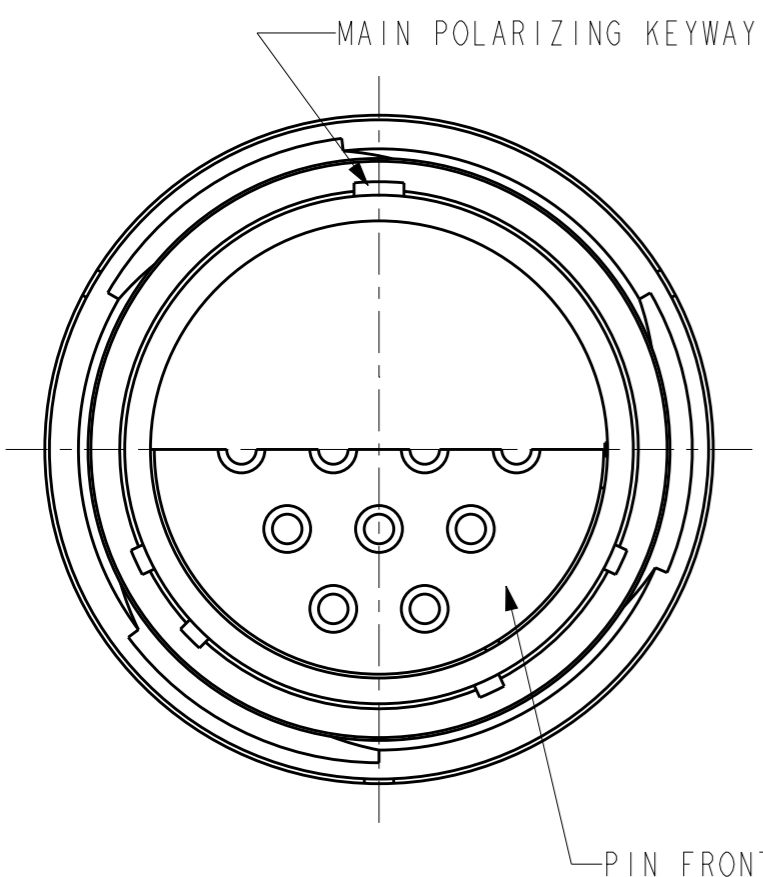


THIS DRAWING IS UNPUBLISHED  
 RELEASED FOR PUBLICATION 2017  
 © COPYRIGHT 2017 BY - TE CONNECTIVITY ALL RIGHTS RESERVED.

REVISIONS					
P	LTR	DESCRIPTION	DATE	DWN	APVD
	B1	REVISED PER PCN E-17-018475	08DEC2017	CM	DM

CONTACT SIZE	MIN. INSUL O.D.	MAX. INSUL O.D.	WIRE RANGE AWG [mm <sup>2</sup> ]
16	.100 [2.54]	.134 [3.40]	16-18 [1.0-0.75]



TE INTERNAL PN	DEUTSCH PN	ARRANGEMENT	CONTACT SIZE	CONTACT TYPE
3T0203-24-20P	3T0203-24-20P	24-20	20 SIZE 16	PIN

6. PART NUMBER INFO: XXXX = SEE TABLE  
 24/32 = PLUG SHELL SIZE; XX = ARRANGEMENT NO.

5. MATERIAL:  
 PLUG HOUSING: ALUMINUM (GOLD CHROMATE)  
 RETAINING RING: PA66 GF10 (GREEN)  
 PIN FRONT: PA66 GF10 (BLACK)  
 GROMMET: VMO (RED-ORANGE)

4. TOTAL DIMENSION WITH WIRE SEAL.

3. FOR CONTACTS AND WIRES PERFORMANCE AND APPLICATION CHARACTERISTICS SEE ENVELOPE DRAWING 4025-001-0000.

2. FOR ARRANGEMENT OF CONTACT LOCATION SEE ENVELOPE DRAWING 4025-006-0000.

1. PLUG IS SUPPLIED WITH DUST CAP PN 6VI824 (NOT SHOWN).

NOTES:

PART NUMBER	SIZE	$\phi A$ REF [mm]	$\phi B$ [mm]	$\phi C$ [mm]	D [mm]	E REF [mm]	F THREAD
3TXXXX-24-XXS/P	24	$\phi 1.716$ [43.59]	$\phi 1.325$ [33.66]	$\phi 1.368$ [34.75]	.780 [19.81]	2.195 [55.75]	1.4375-18UNEF-2A MODIFIED
3TXXXX-32-XXS/P	32	$\phi 2.380$ [60.45]	$\phi 1.915$ [48.64]	$\phi 1.925$ [48.90]	.780 [19.81]	2.195 [55.75]	2.000-18UNS-2A MODIFIED

THIS DRAWING IS A CONTROLLED DOCUMENT.		DWN 06JAN2010 A. MALAGON			
DIMENSIONS: INCHES [mm]		CHK 14JUL2010 R. MILLIGAN			
TOLERANCES UNLESS OTHERWISE SPECIFIED:		APVD 14JUL2010 S. BEARD		NAME PLUG CONNECTOR SHELL SIZE 24 AND 32 C.E. SERIES	
0 PLC ± 1 PLC ± 2 PLC ± 3 PLC ±.025 [.63] 4 PLC ± ANGLES ±0° 30' 0"		PRODUCT SPEC		SIZE A3	
MATERIAL		FINISH		CAGE CODE 4AFU8	
5		WEIGHT		DRAWING NO. 3TXXXX-24/32-XXS/P	
CUSTOMER DRAWING		SCALE 1:1		SHEET 1 OF 1	
		REV B1		RESTRICTED TO	

## X-ON Electronics

Largest Supplier of Electrical and Electronic Components

*Click to view similar products for [Automotive Connectors](#) category:*

*Click to view products by [TE Connectivity](#) manufacturer:*

Other Similar products are found below :

[003-018-000](#) [60403001](#) [60993906-B](#) [M902-2131](#) [M902-2161](#) [M902-2344](#) [72.330.1035.1](#) [73.353.4028.0](#) [F119300-B](#) [F166900](#) [F258300-B](#)  
[F358300-B](#) [F407400](#) [F444110](#) [F487000](#) [F509500B-B](#) [827153-1](#) [8N1515-32-24P](#) [9-1326729-8](#) [925474-1](#) [928905-1](#) [964562-4](#) [968782-1](#)  
[GT17SA-8DS-HU](#) [98891-1012](#) [98947-1016](#) [12004147](#) [12004475-L](#) [12010290](#) [12010309-B](#) [12015454](#) [12020219-B](#) [12041318-B](#) [12052225-](#)  
[L](#) [12052466](#) [12064869](#) [12004327-B](#) [12015308](#) [12015384](#) [12015909](#) [1-21030-1](#) [12041254](#) [12041318](#) [12047946-B](#) [12047957](#) [12047957-L](#)  
[12059473](#) [12066261](#) [12110546](#) [12110546-B](#)