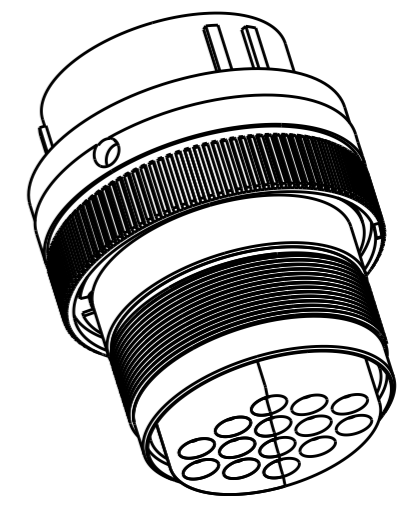
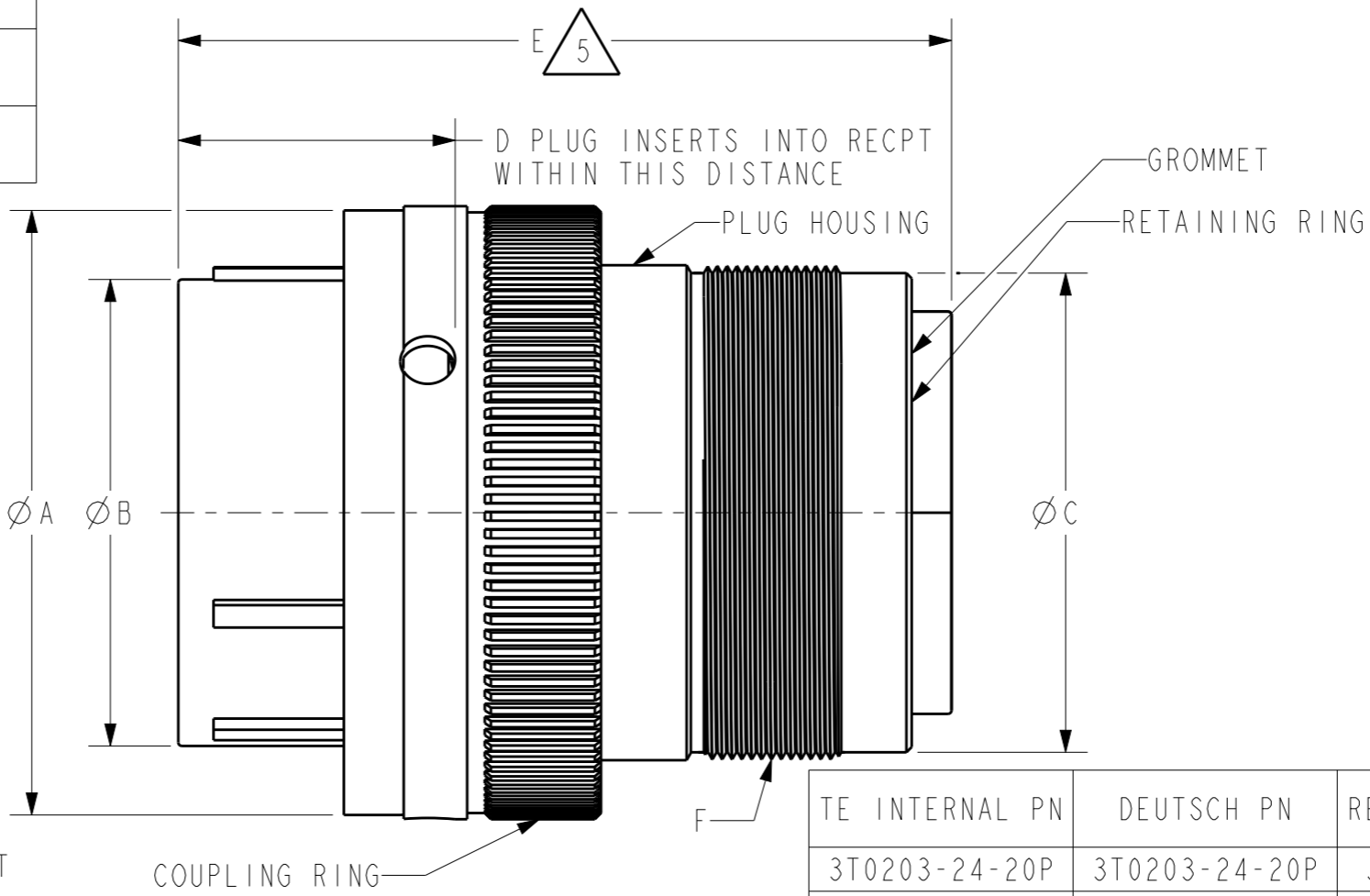
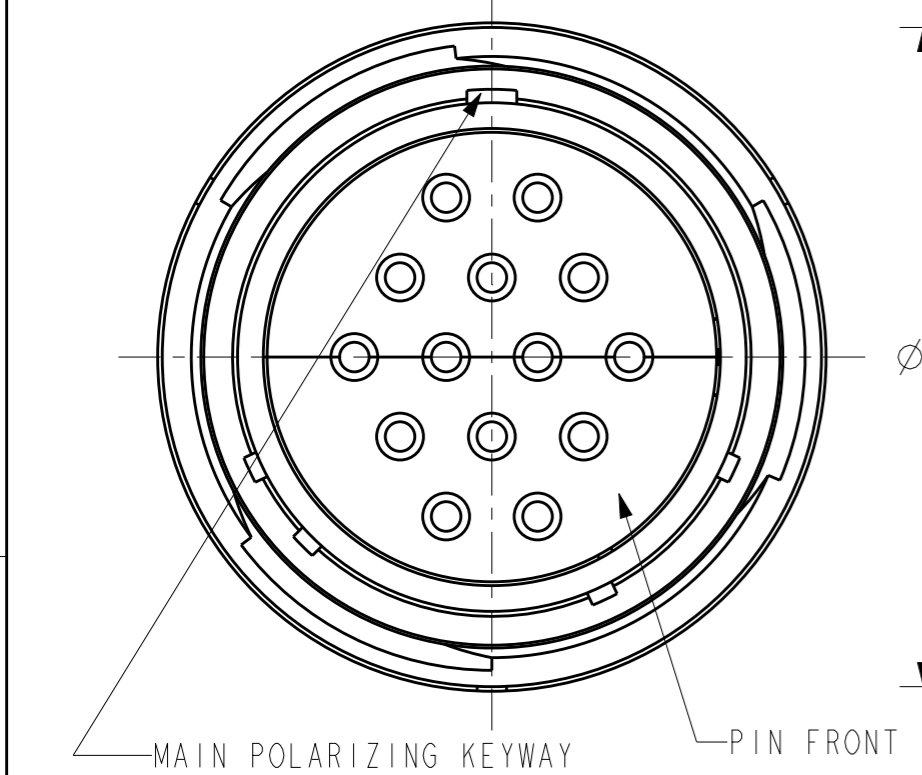


THIS DRAWING IS UNPUBLISHED
 RELEASED FOR PUBLICATION 2017
 © COPYRIGHT 2017 BY - TE CONNECTIVITY ALL RIGHTS RESERVED.

P	LTR	DESCRIPTION	DATE	DWN	APVD
	B1	REVISED PER PCN E-17-018475	08DEC2017	CM	DM
	C	REVISED PER PCN E-18-018867	04DEC2018	AJ	DM
	C1	REVISED PER PCN E-19-007592	09JAN2020	CO	IG

CONTACT SIZE	MIN. INSUL O.D.	MAX. INSUL O.D.	WIRE RANGE [mm ²] REF ONLY
4	.280 [7.111]	.420 [10.67]	4 AWG [21.0]
8	.190 [4.83]	.240 [6.10]	8-10 AWG [8.0-5.0]
12	.134 [3.40]	.170 [4.32]	10-14 AWG [5.0-2.0]
16	.100 [2.54]	.134 [3.40]	14-20 AWG [2.0-0.5]



3D VIEW

7. SEE PAGE 2 FOR CONTINUED NOTES.
6. PART NUMBER INFO:
 XXXX = CATERPILLAR PART NO.
 24/32 = PLUG SHELL SIZE
 XX = ARRANGEMENT NO.
5. TOTAL DIMENSION WITH WIRE SEAL.
4. FOR CONTACTS AND WIRES PERFORMANCE AND APPLICATION CHARACTERISTICS SEE CUSTOMER DRAWING 4025-001-0000.
3. FOR ARRANGEMENT OF CONTACT LOCATION SEE CUSTOMER DRAWING 4025-006-0000.
2. PLUG IS SUPPLIED WITH DUST CAP PN 6V1824 (SIZE 24), AND 5P8922 (SIZE 32) (NOT SHOWN).
1. CONSULT THE FACTORY FOR ELECTRICAL AND MATERIAL SPECIFICATIONS.

NOTES:

TE INTERNAL PN	DEUTSCH PN	REV	ARRANGEMENT	CONTACT SIZE	QTY	CONTACT TYPE
3T0203-24-20P	3T0203-24-20P	J	24-20	16	20	PIN
3T3044-32-25P	3T3044-32-25P	J	32-25	4 8 12 16	2 3 4 16	PIN
3T3412-32-37P	3T3412-32-37P	J	32-37	16	37	PIN

PART NUMBER	SIZE	ØA REF [mm]	ØB [mm]	ØC [mm]	D [mm]	E REF [mm]	F THREAD
3TXXXX-24-XXS/P	24	Ø1.716 [43.59]	Ø1.325 [33.66]	Ø1.368 [34.75]	.780 [19.81]	2.195 [55.75]	1.4375-18UNEF-2A MODIFIED
3TXXXX-32-XXS/P	32	Ø2.380 [60.45]	Ø1.915 [48.64]	Ø1.925 [48.90]	.780 [19.81]	2.195 [55.75]	2.000-18UNS-2A MODIFIED

THIS DRAWING IS A CONTROLLED DOCUMENT.		DWN 06JAN2010 A. MALAGON			
DIMENSIONS: in [mm]		CHK 14JUL2010 R. MILLIGAN			
TOLERANCES UNLESS OTHERWISE SPECIFIED:		APVD 14JUL2010 S. BEARD		NAME PLUG CONNECTOR SHELL SIZE 24 AND 32 C.E. SERIES	
0 PLC ± 1 PLC ± 2 PLC ± 3 PLC ±.025 [.64] 4 PLC ± ANGLES ±0°30'0"		PRODUCT SPEC		SIZE A3	
MATERIAL		APPLICATION SPEC		CAGE CODE 4AFU8	
FINISH		WEIGHT		DRAWING NO. 3TXXXX-24/32-XXS/P	
8		9		RESTRICTED TO	
CUSTOMER DRAWING				SCALE 1:1	
				SHEET 1 OF 2	
				REV C1	

THIS DRAWING IS UNPUBLISHED RELEASED FOR PUBLICATION 2017


© COPYRIGHT 2017 BY - TE CONNECTIVITY ALL RIGHTS RESERVED.

REVISIONS


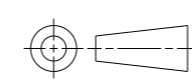


P	LTR	DESCRIPTION	DATE	DWN	APVD
	-	SEE SHEET 1	-	-	-

- 10. ENDBELL MOUNTING TORQUE:
 - SIZE 24
124 ± 17.7 in-lbf [14 ± 2 Nm]
 - SIZE 32
159.31 ± 35.4 in-lbf [18 ± 4 Nm]

 PLATING: CLEAR TRIVALENT CHROMATE CONVERSION COATING (ROHS COMPLIANT).

 MATERIAL:
 PLUG HOUSING: AL 6000 SERIES
 COUPLING RING: AL 6000 SERIES
 RETAINING RING: PA66 GF10 (GREEN)
 PIN FRONT: PA66 GF (BLACK)
 GROMMET: VMQ (RED-ORANGE)

NOTES: (CONTINUED)

THIS DRAWING IS A CONTROLLED DOCUMENT.		DWN A. MALAGON 06 JAN 2010	 TE Connectivity		
DIMENSIONS: in [mm]		CHK R. MILLIGAN 14 JUL 2010			
TOLERANCES UNLESS OTHERWISE SPECIFIED:		APVD S. BEARD 14 JUL 2010	NAME PLUG CONNECTOR SHELL SIZE 24 AND 32 C.E. SERIES		
		PRODUCT SPEC -	RESTRICTED TO		
0 PLC ± 1 PLC ± 2 PLC ± 3 PLC ±.025 [.64] 4 PLC ± ANGLES ±0° 30' 0"		APPLICATION SPEC -	SIZE A3	CAGE CODE 4AFU8	DRAWING NO C-3TXXXX-24/32-XXS/P
MATERIAL 	FINISH 	WEIGHT -	SCALE 1:1	SHEET 2 OF 2	REV C1
		CUSTOMER DRAWING			

X-ON Electronics

Largest Supplier of Electrical and Electronic Components

Click to view similar products for [Automotive Connectors](#) category:

Click to view products by [TE Connectivity](#) manufacturer:

Other Similar products are found below :

[003-018-000](#) [60403001](#) [60993906-B](#) [M902-2131](#) [M902-2161](#) [72.330.1035.1](#) [73.353.4028.0](#) [F119300-B](#) [F166900](#) [F258300-B](#) [F358300-B](#)
[F407400](#) [F444110](#) [F487000](#) [F509500B-B](#) [827153-1](#) [8N1515-32-24P](#) [9-1326729-8](#) [925474-1](#) [928905-1](#) [964562-4](#) [968782-1](#) [GT17SA-8DS-](#)
[HU](#) [98891-1012](#) [98947-1016](#) [12004147](#) [12004475-L](#) [12010290](#) [12010309-B](#) [12015454](#) [12020219-B](#) [12020308](#) [12041318-B](#) [12052225-L](#)
[12052466](#) [12059125](#) [12064869](#) [12004327-B](#) [12010503-B](#) [12015308](#) [12015384](#) [12015909](#) [1-21030-1](#) [12041254](#) [12041318](#) [12047946-B](#)
[12047957](#) [12047957-L](#) [12059473](#) [12066261](#)