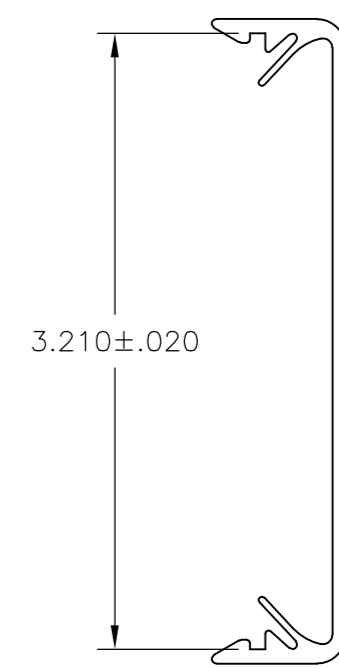
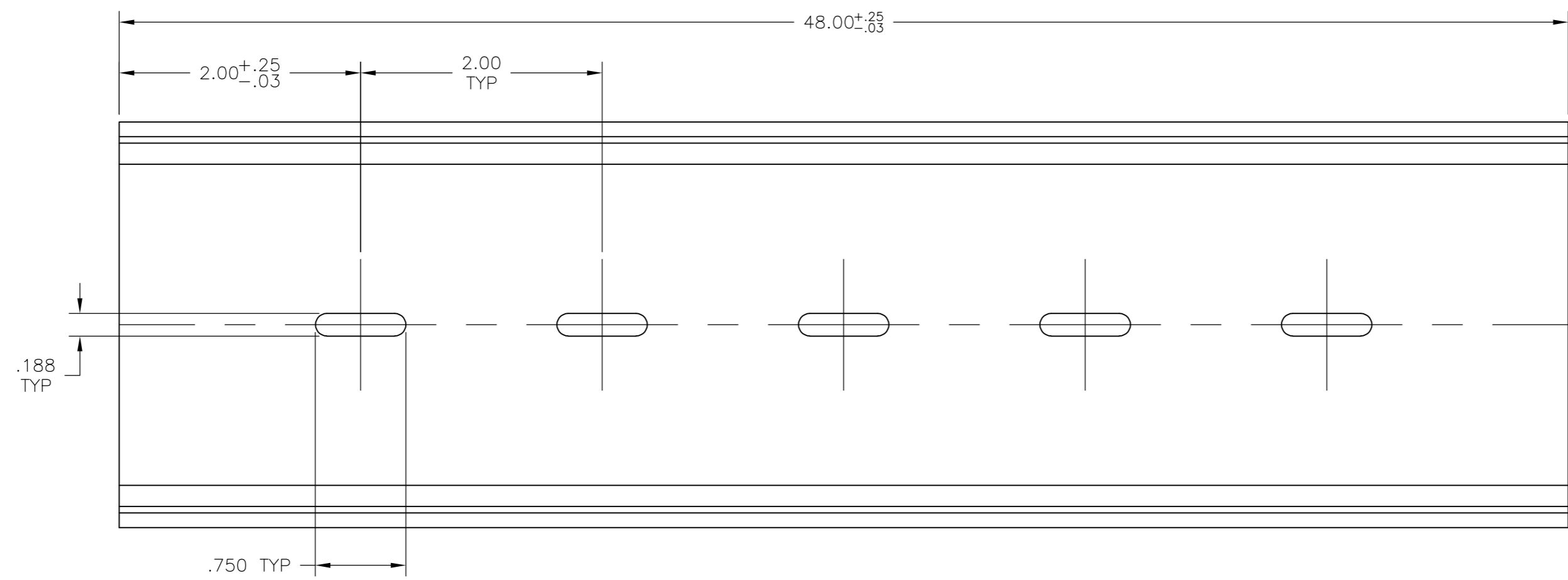


THIS DRAWING IS UNPUBLISHED. RELEASED FOR PUBLICATION
 © COPYRIGHT BY TYCO ELECTRONICS CORPORATION. ALL INTERNATIONAL RIGHTS RESERVED.

| LOC | | DIST | | REVISIONS | | | |
|-----|-----|-------------|------|-----------|------|----|--|
| P | LTR | DESCRIPTION | DATE | DWN | APVD | | |
| - | - | A | - | 5/6/09 | SS | CR | |

1. ALL DIMENSIONS ARE ±.015 UNLESS OTHERWISE NOTED.
2. MATERIAL: RIGID, PVC, COLOR: GRAY
3. RECOMMENDED PC BOARD WIDTH 3.25".



| | |
|----------------|-------------|
| 3TK2-48 | 3-1437685-1 |
| CATALOG NUMBER | PART NUMBER |

| | | | | | | |
|--|--|---------------------|------------|-------------------------|---|------------------|
| THIS DRAWING IS A CONTROLLED DOCUMENT. | | DWN | S SCHLEGEL | 5/6/09 | Tyco Electronics Corporation Harrisburg, PA 17105-3608 | |
| DIMENSIONS: INCHES | | CHK | C RICARD | 5/6/09 | NAME: 3TK2 SNAPTRACK | |
| TOLERANCES UNLESS OTHERWISE SPECIFIED: | | APVD | C RICARD | 5/6/09 | PRODUCT SPEC: - | |
| 0 PLC ± - | | APPLICATION SPEC: - | | SIZE: A2 | | CAGE CODE: 00779 |
| 1 PLC ± - | | WEIGHT: - | | DRAWING NO: 3-1437685-1 | | RESTRICTED TO: - |
| 2 PLC ± .02 | | CUSTOMER DRAWING | | SCALE: NTS | | SHEET: 1 of 1 |
| 3 PLC ± .005 | | FINISH: - | | REV: A | | |
| 4 PLC ± - | | | | | | |
| ANGLES ± 1° | | | | | | |

3-1437685-1

X-ON Electronics

Largest Supplier of Electrical and Electronic Components

Click to view similar products for [Terminal Block Tools & Accessories](#) category:

Click to view products by [TE Connectivity](#) manufacturer:

Other Similar products are found below :

[00171430102](#) [00171420102](#) [600HL](#) [600RJ-07](#) [600RJ-11](#) [600RJ-14](#) [600RJS-10](#) [600RJS-12](#) [600RJS-15](#) [600RJS-21](#) [601RJ-09](#) [602SP](#) [602Z](#)
[604J](#) [CSTSPC1-2](#) [7B941-7](#) [88943-2100](#) [QC102](#) [1437403-6](#) [1437403-9](#) [1437403-8](#) [1453128-1](#) [147832-1](#) [EC0037-000](#) [MT2/H--](#) [MT6/H-N](#)
[MT6/V-GRND](#) [BC2-12](#) [BCC-1-8/10](#) [EP2.5/4UN/BG](#) [1707755](#) [1735590](#) [1755480](#) [1789281](#) [1840227](#) [1840230](#) [2-1437402-1](#) [JA2-03](#) [JB1-](#)
[03/J](#) [JB2-04](#) [JB2-05](#) [JB2-07](#) [JB2-09/J](#) [PARALLELJUMPERLINK](#) [JS601](#) [2204082](#) [2302463](#) [2305949](#) [8PCV-BUSHING](#) [8TK2-24](#)