

C. Westby 5-26-92
 APPROVED BY/DATE
 REV 1

SAFETY ORGANIZATION(S):

THIS FILTER HAS BEEN FORMALLY RECOGNIZED, CERTIFIED OR APPROVED BY THE LISTED AGENCY. THEREFORE, ALL TEST/REQUIREMENTS SPECIFIED IN THE LATEST REVISION OF THE FOLLOWING AGENCY STANDARDS HAVE BEEN MET:

UL RECOGNIZED
 CSA CERTIFIED
 VDE APPROVED (PENDING)

UL 1283
 CSA 22.2, NO. 0, 0.4, 8
 VDE 565-3

OPERATING SPECIFICATIONS:

LINE VOLTAGE/CURRENT:
 3 AMP., 120/250 VAC
 3 AMP./40°C, 250 VAC
 50-60Hz

LINE FREQUENCY:

MAX. LEAKAGE CURRENT, EACH
 LINE TO GROUND
 .50 mA @ 120V 60 Hz
 .83 mA @ 250V 50 Hz

OPERATING AMBIENT TEMP. RANGE:
 -10°C TO +40°C @ RATED CURRENT, I_r

IN AN AMBIENT, T_a , HIGHER THAN 40°C, THE MAXIMUM OPERATING CURRENT, I_o , IS AS FOLLOWS:

$$I_o = I_r \sqrt{\frac{85 - T_a}{45}}$$

RELIABILITY SPECIFICATIONS:

STORAGE TEMPERATURE:
 -40°C TO +85°C

HUMIDITY:
 21 DAYS @ 40°C 95% RH

CURRENT OVERLOAD TEST:
 6 TIMES RATED CURRENT FOR 8 SECONDS

TEST SPECIFICATIONS:

INDUCTANCE:
 1.76 mH NOMINAL

CAPACITANCE, (MEASURED @ 1 KHz, 0.25 VAC MAX., 25°C ±1°C)
 LINE TO GROUND:
 .0055µF ±20%

LINE TO LINE:
 1.08µF ±20%

DISCHARGE RESISTOR
 330KΩ

LINE/GROUND AND LINE/LINE
 INSULATION RESISTANCE
 6000 MΩ (MIN) AT 100 VDC
 20°C AND 50% RH

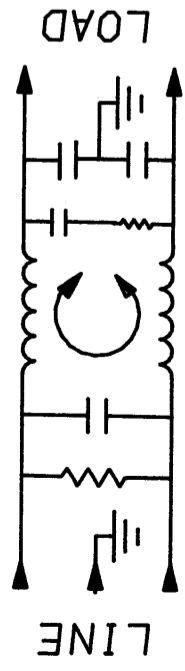
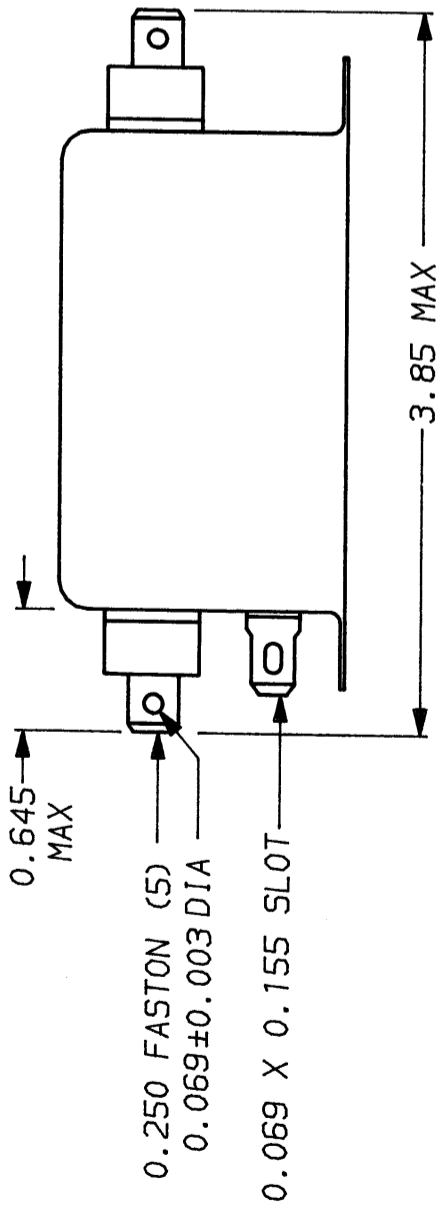
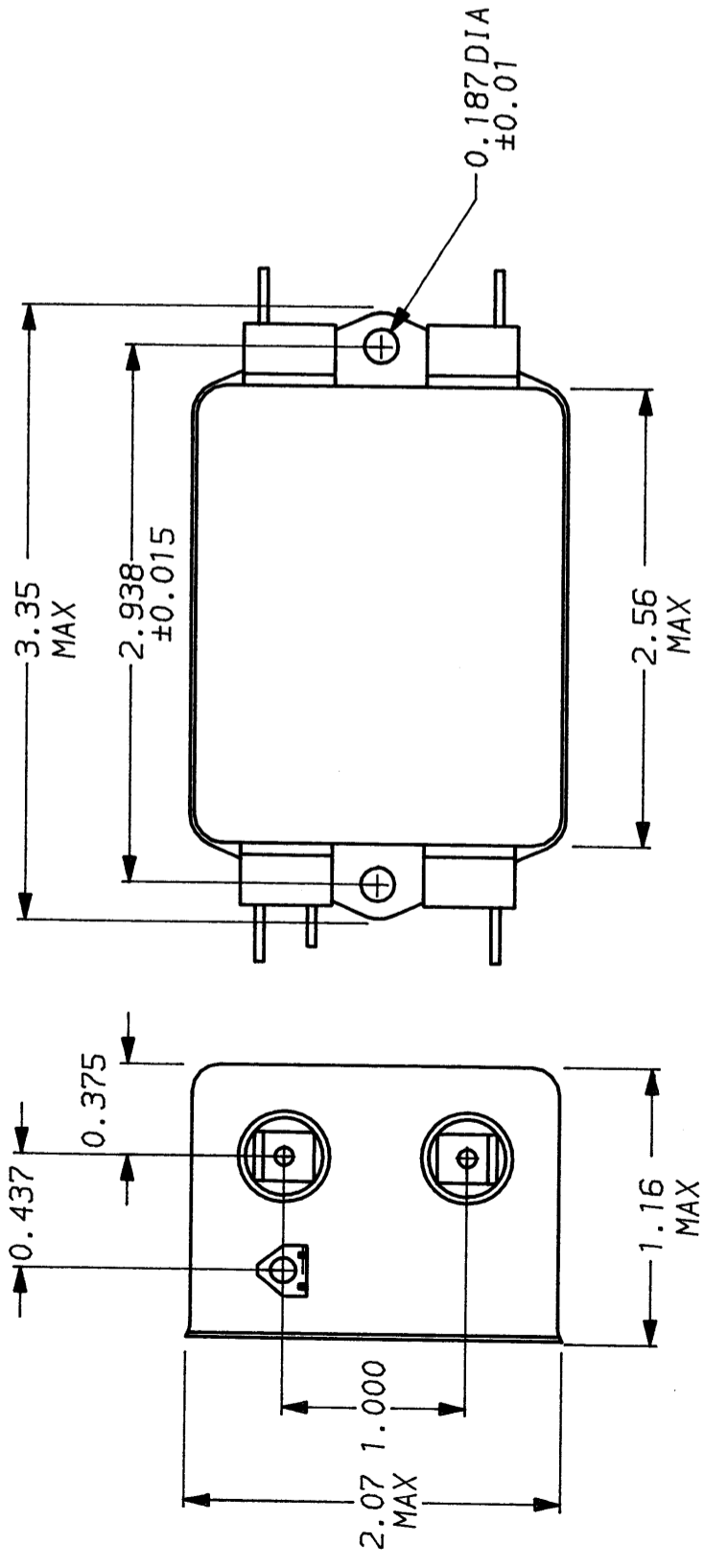
RECOMMENDED RECEIVING INSPECTION HIPOUT:

LINES TO GROUND:
 2250 VDC FOR 1 MINUTE

LINE TO LINE:
 1450 VDC FOR 1 MINUTE

FILTER APPROVAL:

THE BEST WAY TO SELECT AND QUALIFY A FILTER IS FOR YOUR ENGINEERING TO TEST THE UNIT IN YOUR EQUIPMENT.



50g - 50g (MINIMUM) INSERTION LOSS

FREQUENCY MHZ	.15	.5	1	2	5	10	20	30
COMMON dB	20	35	42	46	51	55	55	50
DIFF. dB	30	55	65	65	65	62	62	62

This document is proprietary to CORCOM INC. and is not to be reproduced nor used for manufacturing purposes except on CORCOM's order or prior written consent.

TOLERANCE EXCEPT AS NOTED

DECIMAL: .XXX .XX .X ANGLES
 ENGLISH: ±.025 ± 1°
 METRIC: ±

MATERIAL:

AS SUPPLIED

FINISH:

AS SUPPLIED

LIBERTYVILLE, IL 60048

POWER LINE FILTER

SCALE	DATE	DRG. NO.	REV.
NTS	11-5-90		
DRW. BY	ORIGINATOR		
CFW	CFW		
			3VDK1.01

X-ON Electronics

Largest Supplier of Electrical and Electronic Components

Click to view similar products for [Power Line Filters](#) category:

Click to view products by [TE Connectivity](#) manufacturer:

Other Similar products are found below :

[6609019-3](#) [6609026-5](#) [6609030-6](#) [6609973-2](#) [D30A](#) [7-1609090-5](#) [F2810](#) [F4456A](#) [F7382Z](#) [F7863Z](#) [FAHAV3100ZC000](#) [806276](#) [FN2020B-1-06](#) [FN2080B-10-06](#) [FN2410H-32-33](#) [FN2410H-80-34](#) [FP144](#) [FS4153-20-06](#) [FS4353-500-99](#) [12-MMB-030-11-D](#) [DB4-393](#) [15811T200](#) [20B1](#) [LC630](#) [2B1](#) [1609080-2](#) [1609993-8](#) [1-6609070-1](#) [F1100AA02](#) [F1150CC10](#) [F1500CA10](#) [F1500CA15](#) [F4041Z](#) [F7585E](#) [1B1](#) [FN2070A-16-06](#) [FN2090A-20-06](#) [FN2090B-12-06](#) [FN2090Z-1-06](#) [FN2410H-25-33](#) [FN2410H-60-34](#) [FN2410H-8-44](#) [FN2412H-8-44](#) [FN323B-6-01](#) [FN3258H-130-35](#) [FN610R-3-06](#) [20EHQ7](#) [20EHZ7](#) [20K1](#) [30B6](#)