

SAFETY ORGANIZATION(S):

THIS FILTER HAS BEEN FORMALLY RECOGNIZED, CERTIFIED OR APPROVED BY THE LISTED AGENCY. THEREFORE, ALL TEST/REQUIREMENTS SPECIFIED IN THE LATEST REVISION OF THE FOLLOWING AGENCY STANDARDS HAVE BEEN MET:

UL RECOGNIZED
CSA CERTIFIED (PENDING)
VDE APPROVED (PENDING)

UL 1283
CSA 22.2, NO.0,0.4,8
VDE 565-3

OPERATING SPECIFICATIONS:

LINE VOLTAGE/CURRENT:
3 AMP., 120/250 VAC
3 AMP./40°C, 250 VAC
50-60HZ

LINE FREQUENCY:

MAX. LEAKAGE CURRENT, EACH
LINE TO GROUND
OPERATING AMBIENT TEMP. RANGE:
.50 mA @ 120V 60 Hz
.83 mA @ 250V 50 Hz
-10°C TO +40°C @ RATED CURRENT, I_r

IN AN AMBIENT, T_a, HIGHER THAN 40°C, THE MAXIMUM OPERATING CURRENT, I_o, IS AS FOLLOWS:

$$I_o = I_r \sqrt{\frac{85 - T_a}{45}}$$

RELIABILITY SPECIFICATIONS:

STORAGE TEMPERATURE:
HUMIDITY:
CURRENT OVERLOAD TEST:
-40°C TO +85°C
21 DAYS @ 40°C 95% RH
6 TIMES RATED CURRENT FOR 8 SECONDS

TEST SPECIFICATIONS:

INDUCTANCE:
CAPACITANCE: (MEASURED @ 1 KHZ, 0.25 VAC MAX., 25°C ±1°C)
LINE TO GROUND:
LINE TO LINE:
DISCHARGE RESISTOR
LINE/GROUND AND LINE/LINE
INSULATION RESISTANCE
1.76 mH NOMINAL
6000 MΩ (MIN) AT 100 VDC
20°C AND 50% RH
.0055μF ±20%
1.08μF ±20%
330KΩ

RECOMMENDED RECEIVING INSPECTION HIPOT:

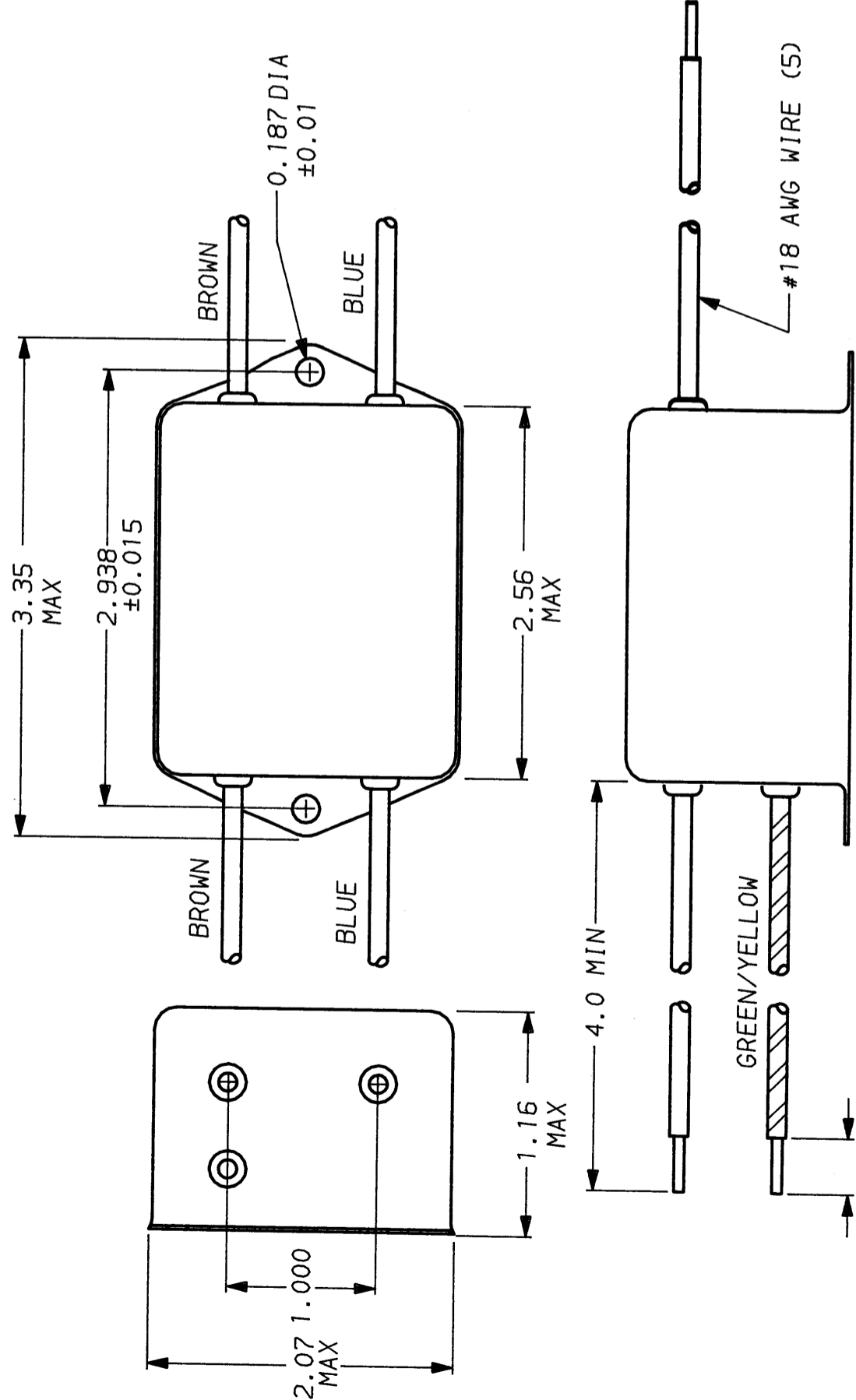
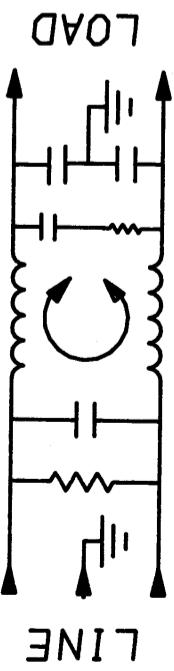
LINES TO GROUND: 2250 VDC FOR 1 MINUTE
LINE TO LINE: 1450 VDC FOR 1 MINUTE

FILTER APPROVAL:

THE BEST WAY TO SELECT AND QUALIFY A FILTER IS FOR YOUR ENGINEERING TO TEST THE UNIT IN YOUR EQUIPMENT.

FREQUENCY MHZ	50Ω - 50Ω (MINIMUM) INSERTION LOSS									
	.15	.5	1	2	5	10	20	30		
COMMON dB	20	35	42	46	51	55	55	50		
DIFF. dB	30	55	65	65	65	62	62	62		

This document is proprietary to CORCOM INC. and is not to be reproduced nor used for manufacturing purposes except on CORCOM's order or prior written consent.



CORCOM
LIBERTYVILLE, IL 60048

POWER LINE FILTER

SCALE	DATE	DRG. NO.	REV.
NTS	11-5-90		
DRW. BY	ORIGINATOR		
CFW	CFW		

TOLERANCE EXCEPT AS NOTED
DECIMAL: .XXX .XX .X ANGLES
ENGLISH: ±.025 .X ANGLES
METRIC: ±
MATERIAL: AS SUPPLIED
FINISH: AS SUPPLIED

3VDK3.00

X-ON Electronics

Largest Supplier of Electrical and Electronic Components

Click to view similar products for [Power Line Filters](#) category:

Click to view products by [TE Connectivity](#) manufacturer:

Other Similar products are found below :

[6609019-3](#) [6609026-5](#) [6609030-6](#) [6609973-2](#) [D30A](#) [7-1609090-5](#) [F2810](#) [F4456A](#) [F7382Z](#) [F7863Z](#) [FAHAV3100ZC000](#) [806276](#) [FN2020B-1-06](#) [FN2080B-10-06](#) [FN2410H-32-33](#) [FN2410H-80-34](#) [FP144](#) [FS4153-20-06](#) [FS4353-500-99](#) [12-MMB-030-11-D](#) [DB4-393](#) [15811T200](#) [20B1](#) [LC630](#) [2B1](#) [1609080-2](#) [1609993-8](#) [1-6609070-1](#) [F1100AA02](#) [F1150CC10](#) [F1500CA10](#) [F1500CA15](#) [F4041Z](#) [F7585E](#) [1B1](#) [FN2070A-16-06](#) [FN2090A-20-06](#) [FN2090B-12-06](#) [FN2090Z-1-06](#) [FN2410H-25-33](#) [FN2410H-60-34](#) [FN2410H-8-44](#) [FN2412H-8-44](#) [FN323B-6-01](#) [FN3258H-130-35](#) [FN610R-3-06](#) [20EHQ7](#) [20EHZ7](#) [20K1](#) [30B6](#)