

SAFETY ORGANIZATION(S):

THIS FILTER HAS BEEN FORMALLY RECOGNIZED, CERTIFIED OR APPROVED BY THE LISTED AGENCY. THEREFORE, ALL TEST/REQUIREMENTS SPECIFIED IN THE LATEST REVISION OF THE FOLLOWING AGENCY STANDARDS HAVE BEEN MET:

UL RECOGNIZED
 CSA CERTIFIED
 VDE APPROVED
 UL 1283
 CSA 22.2, NO. 0, 0.4, 8
 VDE 565-3

OPERATING SPECIFICATIONS:

LINE VOLTAGE/CURRENT:
 3 AMP., 120/250 VAC
 3 AMP./40°C, 250 VAC
 50-60Hz
 40°C
 .5 mA at 120V 60 Hz
 1.0 mA at 250V 50 Hz
 -10°C TO +40°C RATED CURRENT, I_r

IN AN AMBIENT, T_a, HIGHER THAN 40°C, THE MAXIMUM OPERATING CURRENT, I_o, IS AS FOLLOWS:

$$I_o = I_r \sqrt{\frac{85 - T_a}{45}}$$

RELIABILITY SPECIFICATIONS:

STORAGE TEMPERATURE:
 -40°C TO +85°C
 HUMIDITY:
 21 DAYS @ 40°C 95% RH
 CURRENT OVERLOAD TEST:
 6 TIMES RATED CURRENT FOR 8 SECONDS

TEST SPECIFICATIONS:

INDUCTANCE:
 7.06 mH NOMINAL
 CAPACITANCE: (MEASURED @ 1 KHz, 0.25 VAC MAX., 25°C ±1°C)
 .011µF ±20%
 .54µF ±20%
 LINE TO GROUND:
 LINE TO LINE:
 DISCHARGE RESISTOR
 330 KΩ
 6000 MΩ (MIN) AT 100 VDC
 20°C AND 50% RH
 LINE/GROUND AND LINE/LINE
 INSULATION RESISTANCE

RECOMMENDED RECEIVING INSPECTION HIPOT:

LINES TO GROUND:
 2250 VDC FOR 1 MINUTE
 LINE TO LINE:
 1450 VDC FOR 1 MINUTE

FILTER APPROVAL:

THE BEST WAY TO SELECT AND QUALIFY A FILTER IS FOR YOUR ENGINEERING TO TEST THE UNIT IN YOUR EQUIPMENT.

50Ω - 50Ω (MINIMUM) INSERTION LOSS

FREQUENCY MHz	.01	.02	.05	.08	.1	.15	.5	1	5	10	20	30
COMMON dB	6	12	20	25	27	32	52	48	46	46	46	40
DIFF. dB	1	1	2	3	10	25	59	65	65	60	40	40

This document is proprietary to CORCOM INC. and is not to be reproduced nor used for manufacturing purposes except on CORCOM's order or prior written consent.

TOLERANCE EXCEPT AS NOTED

DECIMAL: .XXX .XX .X ANGLES ± 1°
 ENGLISH: ±.025
 METRIC: ±

MATERIAL:

AS SUPPLIED

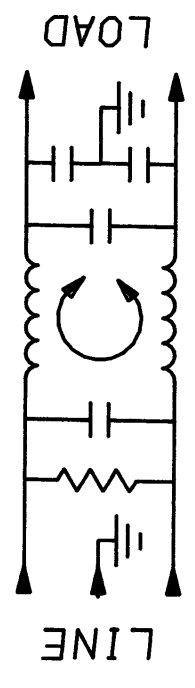
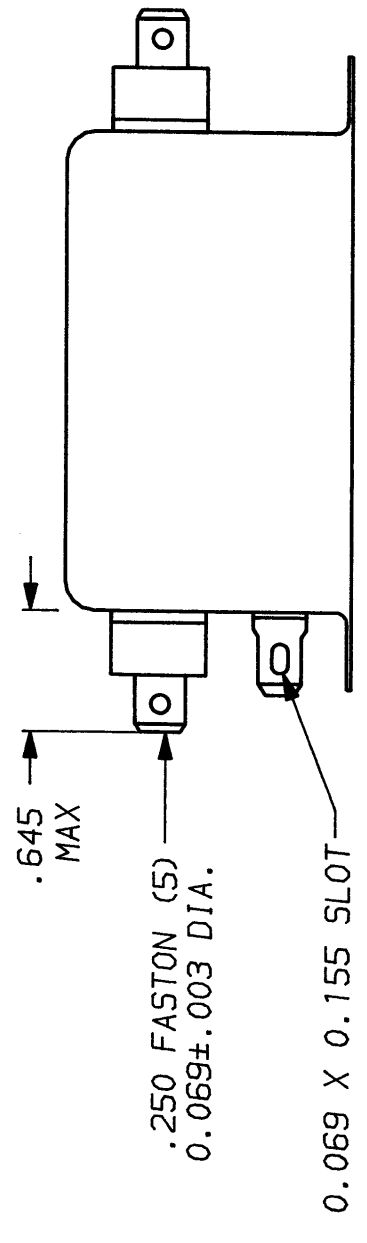
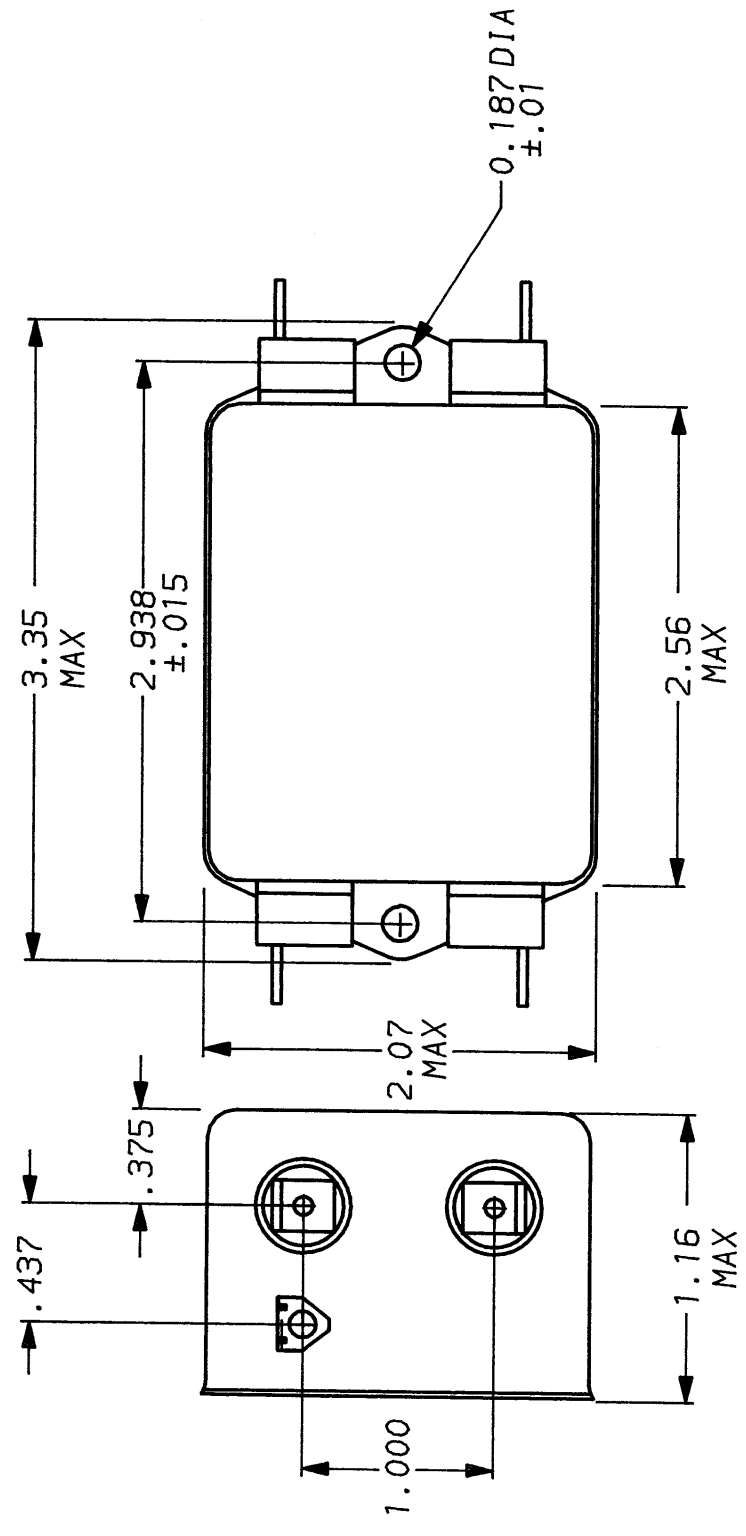
FINISH:

AS SUPPLIED



POWER LINE FILTER

SCALE	DATE	DRG. NO.	REV.
NTS	8-7-90	3VSK1	06
DRW. BY	ORIGINATOR		
CFW	CFW		



X-ON Electronics

Largest Supplier of Electrical and Electronic Components

Click to view similar products for [Power Line Filters](#) category:

Click to view products by [TE Connectivity](#) manufacturer:

Other Similar products are found below :

[6609019-3](#) [6609026-5](#) [6609030-6](#) [6609973-2](#) [D30A](#) [7-1609090-5](#) [F2810](#) [F4456A](#) [F7382Z](#) [F7863Z](#) [FAHAV3100ZC000](#) [806276](#) [FN2020B-1-06](#) [FN2080B-10-06](#) [FN2410H-32-33](#) [FP144](#) [FS4153-20-06](#) [FS4353-500-99](#) [12-MMB-030-11-D](#) [DB4-393](#) [15811T200](#) [20B1](#) [LC630](#) [2B1](#) [1609080-2](#) [1609993-8](#) [1-6609070-1](#) [F1100AA02](#) [F1150CC10](#) [F1500CA10](#) [F1500CA15](#) [F4041Z](#) [F7585E](#) [1B1](#) [FN2070A-16-06](#) [FN2090A-20-06](#) [FN2090B-12-06](#) [FN2090Z-1-06](#) [FN2410H-25-33](#) [FN2410H-60-34](#) [FN2410H-8-44](#) [FN2412H-8-44](#) [FN323B-6-01](#) [FN3258H-130-35](#) [FN610R-3-06](#) [20EHQ7](#) [20EHZ7](#) [20K1](#) [30B6](#) [3K1](#)