

SAFETY ORGANIZATION(S):

THIS FILTER HAS BEEN FORMALLY RECOGNIZED, CERTIFIED OR APPROVED BY THE LISTED AGENCY. THEREFORE, ALL TEST/REQUIREMENTS SPECIFIED IN THE LATEST REVISION OF THE FOLLOWING AGENCY STANDARDS HAVE BEEN MET:

- UL 1283
- UL RECOGNIZED
- CSA 22.2, NO.0,0.4,8
- CSA CERTIFIED
- VDE 565-3
- VDE APPROVED

OPERATING SPECIFICATIONS:

- LINE VOLTAGE/CURRENT: 3 AMP., 120/250 VAC
- 50-60Hz
- 40°C
- LINE FREQUENCY: 3 AMP./40°C, 250 VAC
- MAX. CASE RISE θ RATED CURRENT: .5 mA at 120V 60 Hz
- MAX. LEAKAGE CURRENT, EACH LINE TO GROUND: 1.0 mA at 250V 50 Hz
- OPERATING AMBIENT TEMP. RANGE: -10°C TO +40°C θ RATED CURRENT, I_r

IN AN AMBIENT, T_a , HIGHER THAN 40°C, THE MAXIMUM OPERATING CURRENT, I_o , IS AS FOLLOWS:

$$I_o = I_r \sqrt{\frac{85-T_a}{45}}$$

RELIABILITY SPECIFICATIONS:

- STORAGE TEMPERATURE: -40°C TO +85°C
- HUMIDITY: 21 DAYS θ 40°C 95% RH
- CURRENT OVERLOAD TEST: 6 TIMES RATED CURRENT FOR 8 SECONDS

TEST SPECIFICATIONS:

- INDUCTANCE: 7.06 mH NOMINAL
- CAPACITANCE: (MEASURED θ 1 KHz, 0.25 VAC MAX., 25°C \pm 1°C) .011 μ F \pm 20%
- LINE TO GROUND: .54 μ F \pm 20%
- LINE TO LINE: 330 K Ω
- DISCHARGE RESISTOR: 6000 M Ω (MIN) AT 100 VDC
- LINE/GROUND AND LINE/LINE INSULATION RESISTANCE: 20°C AND 50% RH

RECOMMENDED RECEIVING INSPECTION HIPOUT:

- LINES TO GROUND: 2250 VDC FOR 1 MINUTE
- LINE TO LINE: 1450 VDC FOR 1 MINUTE

FILTER APPROVAL:

THE BEST WAY TO SELECT AND QUALIFY A FILTER IS FOR YOUR ENGINEERING TO TEST THE UNIT IN YOUR EQUIPMENT.

TOLERANCE EXCEPT AS NOTED

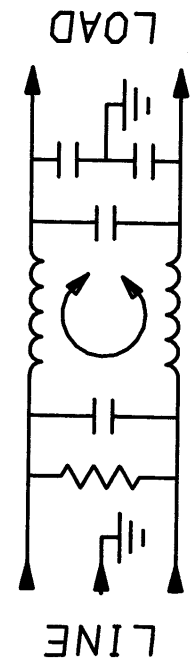
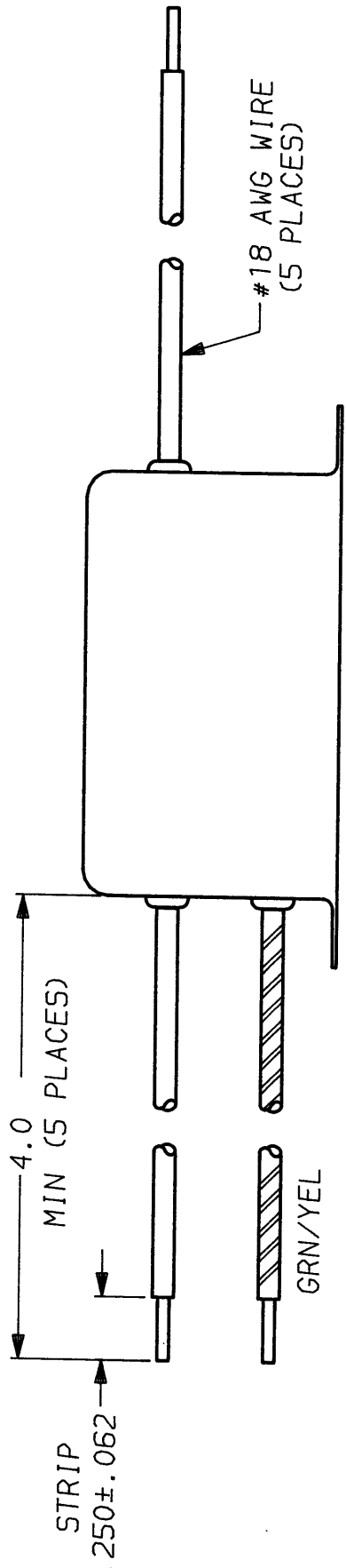
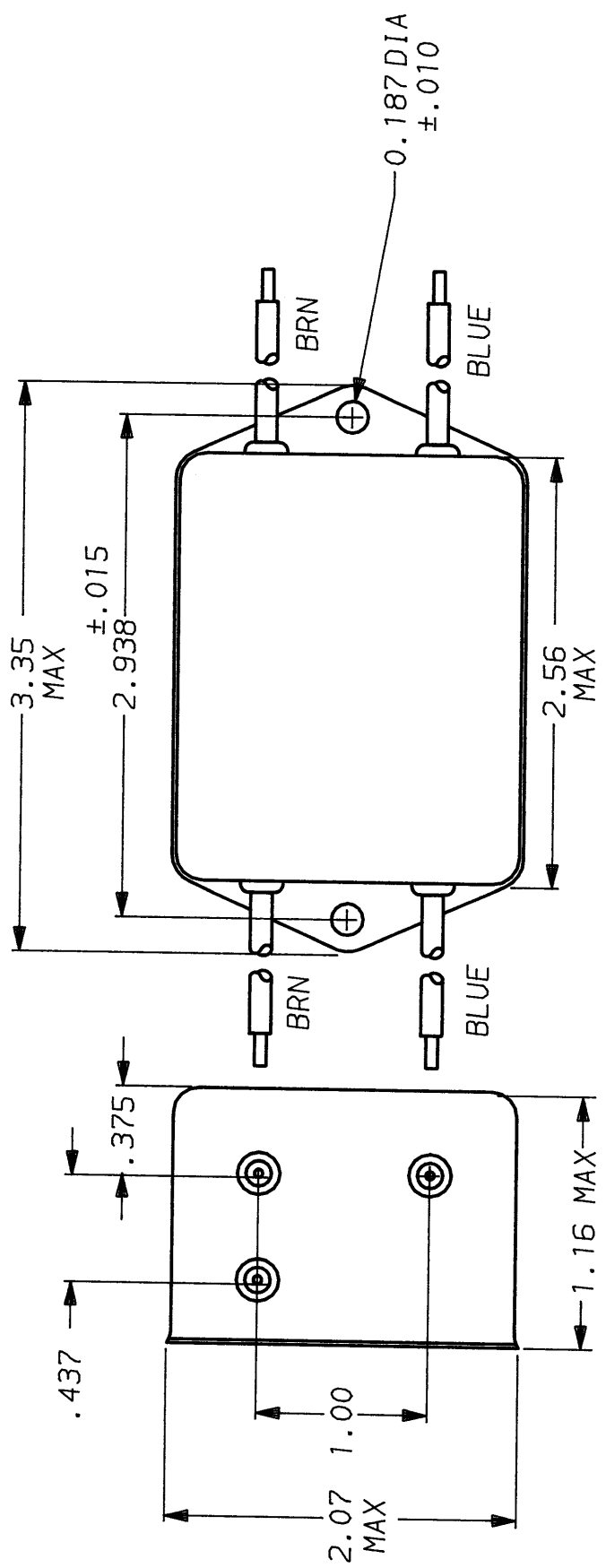
- DECIMAL: .XXX .XX .X ANGLES \pm 1°
- ENGLISH: \pm .025
- METRIC: \pm —

MATERIAL:

AS SUPPLIED

FINISH:

AS SUPPLIED



| 50 Ω - 50 Ω (MINIMUM) | | INSERTION LOSS | | | | | | | | | | |
|-------------------------------------|-----------|----------------|-----|----|-----|----|----|----|----|----|----|----|
| FREQUENCY MHz | COMMON dB | DIFF. dB | 1 | 2 | 3 | 10 | 25 | 59 | 65 | 65 | 50 | 50 |
| .01 | .02 | .05 | .08 | .1 | .15 | .5 | 1 | 5 | 10 | 20 | 30 | 30 |
| 6 | 12 | 20 | 25 | 28 | 33 | 50 | 45 | 45 | 45 | 45 | 45 | 45 |
| 1 | 1 | 1 | 2 | 3 | 10 | 25 | 59 | 65 | 65 | 50 | 50 | 50 |

This document is proprietary to CORCOM INC. and is not to be reproduced nor used for manufacturing purposes except on CORCOM's order or prior written consent.



LIBERTYVILLE, IL 60048

POWER LINE FILTER

| | | | |
|---------|------------|----------|------|
| SCALE | DATE | DRG. NO. | REV. |
| NTS | 8-7-90 | | |
| DRN. BY | ORIGINATOR | | |
| CFW | CFW | | |

3VSK3.05

X-ON Electronics

Largest Supplier of Electrical and Electronic Components

Click to view similar products for [Power Line Filters](#) category:

Click to view products by [TE Connectivity](#) manufacturer:

Other Similar products are found below :

[6609019-3](#) [6609026-5](#) [6609030-6](#) [6609973-2](#) [D30A](#) [7-1609090-5](#) [F2810](#) [F4456A](#) [F7382Z](#) [F7863Z](#) [FAHAV3100ZC000](#) [806276](#) [FN2020B-1-06](#) [FN2080B-10-06](#) [FN2410H-32-33](#) [FN2410H-80-34](#) [FP144](#) [FS4153-20-06](#) [FS4353-500-99](#) [12-MMB-030-11-D](#) [DB4-393](#) [15811T200](#) [20B1](#) [LC630](#) [2B1](#) [1609080-2](#) [1609993-8](#) [1-6609070-1](#) [F1100AA02](#) [F1150CC10](#) [F1500CA10](#) [F1500CA15](#) [F4041Z](#) [F7585E](#) [1B1](#) [FN2070A-16-06](#) [FN2090A-20-06](#) [FN2090B-12-06](#) [FN2090Z-1-06](#) [FN2410H-25-33](#) [FN2410H-60-34](#) [FN2410H-8-44](#) [FN2412H-8-44](#) [FN323B-6-01](#) [FN610R-3-06](#) [20EHQ7](#) [20EHZ7](#) [20K1](#) [30B6](#) [3K1](#)