

THIS DRAWING IS UNPUBLISHED.

RELEASED FOR PUBLICATION

LOC

DIST

REVISIONS

© COPYRIGHT BY TYCO ELECTRONICS CORPORATION. ALL RIGHTS RESERVED.

GZ

00

P

LTR

DESCRIPTION

DATE

DWN

APVD

B

0611-0162-03

16MAY2003

TCS

KH

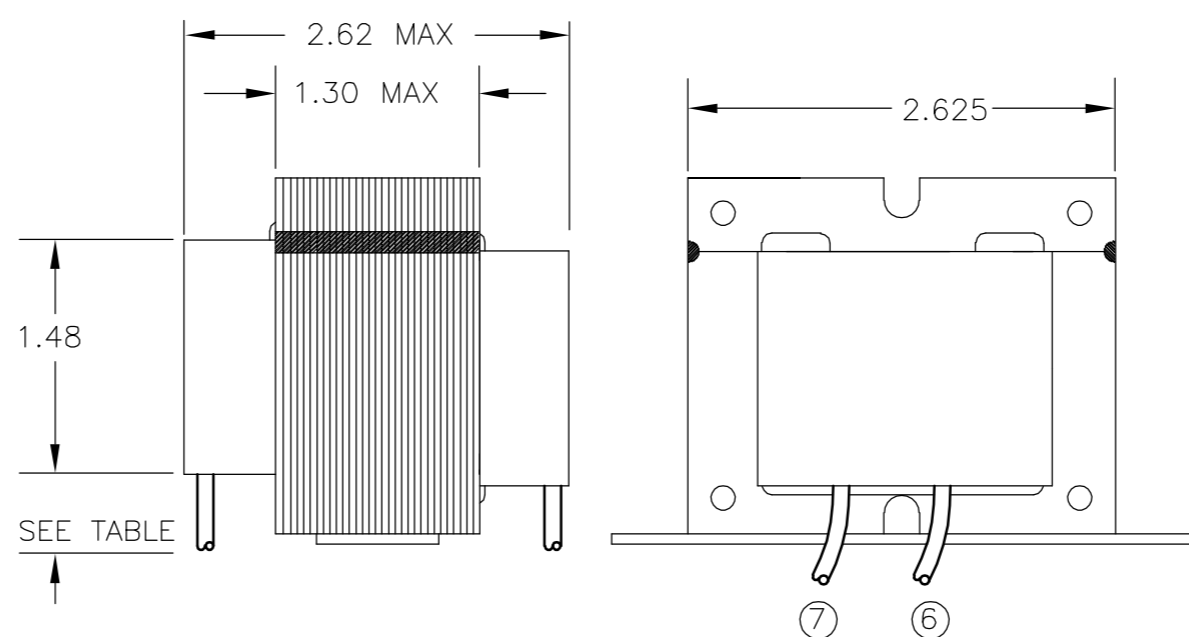
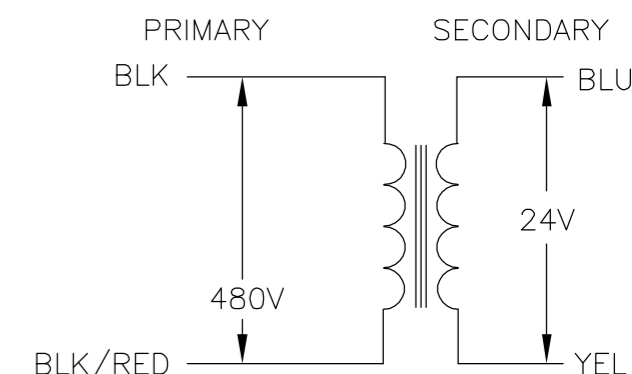
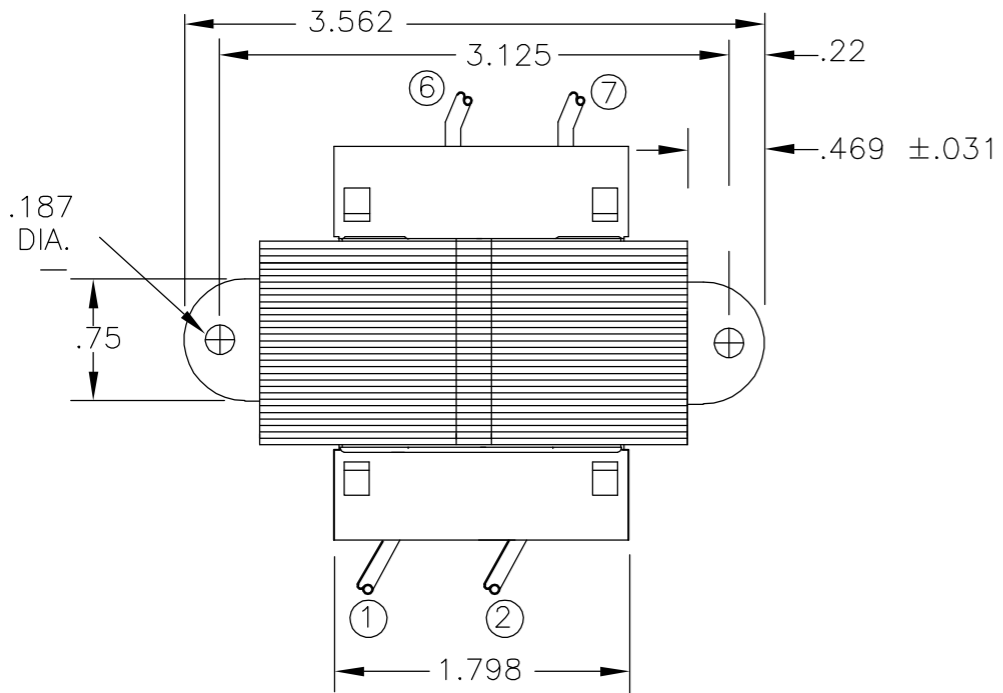
ALL LEADS 18AWG-UNLESS OTHERWISE SPECIFIED

- NOTES
1. DIMENSIONS FOR REFERENCE ONLY.
 2. ALL LEADS +1"/-0" TOL.
 3. STRIP TOL. ±1/32
 4. WINDING PROTECTION- INHERENTLY LIMITING

CERTIFICATION: UL, CUL FILE NO. E87824

PRIMARY		
LEAD NO.	1	2
VOLTAGE	COM	480
COLOR	BLK	BLK/RED
LENGTH	12.0	12.0
STRIP LENGTH	.50	.50

SECONDARY			
LEAD NO.	6	7	8
VOLTAGE	24	VAC	
COLOR	BLU	YEL	
LENGTH	12.0	12.0	
STRIP LENGTH	.50	.50	



4000-04AW18K999
 PRI COM 480 SEC 24 VAC
 BLK BLK/RED BLU YEL
 50 VA "B" 130-G
 50/60HZ CLASS 2
 PRODUCTS UNLIMITED
 MADE IN XXXX
 tyco Electronics

TYCO PART NUMBER 5-1611461-1

THIS DRAWING IS A CONTROLLED DOCUMENT.		DWN K.H. 02OCT1996	Products Tyco Electronics Corporation Harrisburg, PA 17105-3608	
DIMENSIONS: INCHES		CHK -	NAME -	
TOLERANCES UNLESS OTHERWISE SPECIFIED:		APVD -	PRODUCT SPEC -	
0 PLC ± -		APPLICATION SPEC -	TRANSFORMER OUTLINE	
1 PLC ± -		WEIGHT -	SIZE A3	CAGE CODE 00779
2 PLC ± -		DRAWING NO 4000-04AW18K999		
3 PLC ± -		RESTRICTED TO -		
4 PLC ± -		SCALE NONE		
ANGLES ± -		SHEET 1 OF 1		
MATERIAL -		REV B		
FINISH -		CUSTOMER DRAWING		

X-ON Electronics

Largest Supplier of Electrical and Electronic Components

Click to view similar products for [Power Transformers](#) category:

Click to view products by [TE Connectivity](#) manufacturer:

Other Similar products are found below :

[ET-030A](#) [F-102X](#) [F-120X](#) [F-14X-1](#) [F-181U](#) [F-18A](#) [F-199U](#) [F-19X](#) [F-202U](#) [F-204U](#) [F-206U](#) [F-227X](#) [F-238U](#) [F-239U-1](#) [F-23U](#) [F24-250-B](#)
[F-242U](#) [F-245U](#) [F-264U](#) [F-265U](#) [F-267U](#) [F-281U](#) [F-283U](#) [F-290X](#) [F-295Z](#) [F-296Z](#) [F-298Z](#) [F-3143P](#) [F-3298Z](#) [F-33U](#) [F-346X](#) [F-35U](#) [F-](#)
[364U](#) [F-392A](#) [F-395X](#) [F-397U](#) [F-412X](#) [F-47U](#) [F-55X-1](#) [F-60U](#) [F-68U](#) [F-71U](#) [F-72Z](#) [F-74U](#) [F-83A](#) [F-84AC](#) [F-85U](#) [F-86U](#) [F-9U](#) [PCT-02](#)