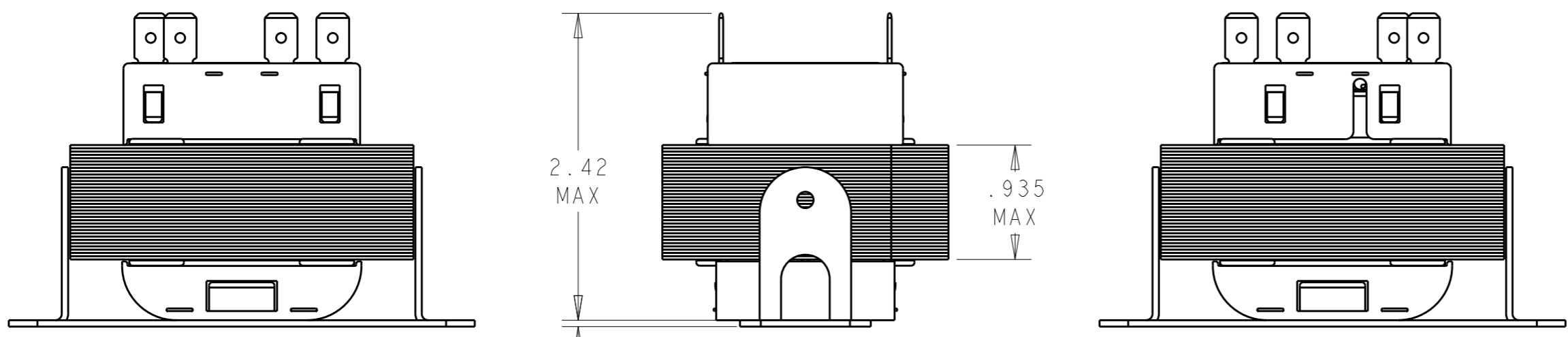
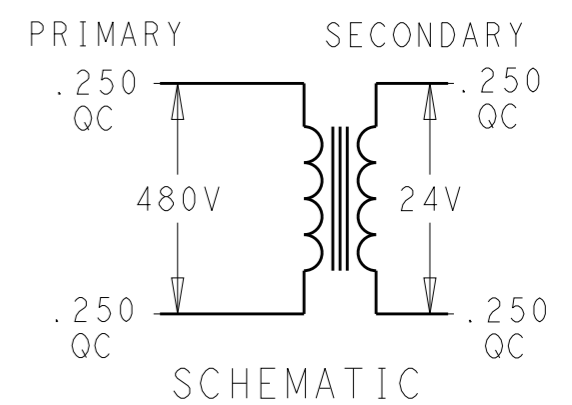
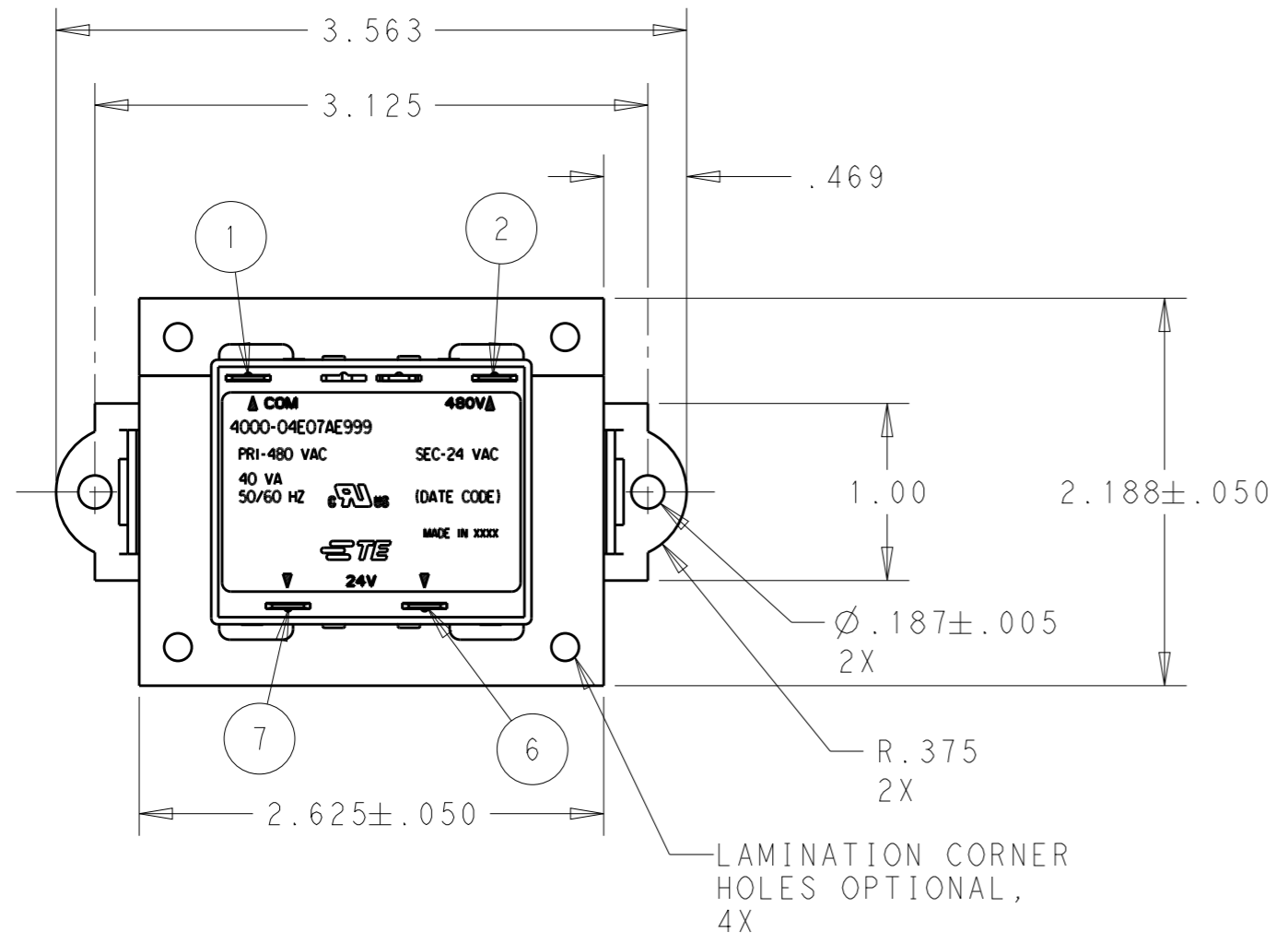


THIS DRAWING IS UNPUBLISHED. RELEASED FOR PUBLICATION 20
 © COPYRIGHT 20 BY - ALL RIGHTS RESERVED.

| LOC | DIST | REVISIONS | | | | |
|-----|------|-------------|---------------|-----------|------|----|
| P | LTR | DESCRIPTION | DATE | DWN | APVD | |
| GZ | 00 | B1 | ECR-18-011844 | 21AUG2018 | VS | DB |

| CERTIFICATION: UL & CUL FILE NO. E87824 | | | | | |
|---|------|------|-----------------|------|------|
| PRIMARY | | | SECONDARY | | |
| TERMINAL NO. | 1 | 2 | TERMINAL NO. | 6 | 7 |
| VOLTAGE | COM | 480 | VOLTAGE | 24 | VAC |
| TERM. WIDTH | .250 | .250 | TERM. WIDTH | .250 | .250 |
| TERM. THICKNESS | .032 | .032 | TERM. THICKNESS | .032 | .032 |

1. WINDING PROTECTION: INHERENTLY LIMITING.



5-1611454-6
TE PART NO.

| | | | | | |
|---|--|------------------------------|--|---|--|
| THIS DRAWING IS A CONTROLLED DOCUMENT. | | DWN 25JUL2018 VIC SLACK | | TE Connectivity | |
| DIMENSIONS: INCHES | | CHK 25JUL2018 D. BLOESCH | | | |
| TOLERANCES UNLESS OTHERWISE SPECIFIED: | | APVD 25JUL2018 D. BLOESCH | | NAME TRANSFORMER OUTLINE | |
| 0 PLC ±- 1 PLC ±.1 2 PLC ±.03 3 PLC ±.015 4 PLC ±- ANGLES ±- | | PRODUCT SPEC | | SIZE CAGE CODE DRAWING NO RESTRICTED TO | |
| MATERIAL - | | FINISH - | | A300779 C-4000-04E07AE999 - | |
| | | WEIGHT - | | SCALE 1:1 SHEET 1 OF 1 REV B1 | |
| | | Customer Drawing | | | |

X-ON Electronics

Largest Supplier of Electrical and Electronic Components

Click to view similar products for [Power Transformers](#) category:

Click to view products by [TE Connectivity](#) manufacturer:

Other Similar products are found below :

[ET-030A](#) [F-102X](#) [F-120X](#) [F-14X-1](#) [F-181U](#) [F-18A](#) [F-199U](#) [F-19X](#) [F-202U](#) [F-204U](#) [F-206U](#) [F-227X](#) [F-238U](#) [F-239U-1](#) [F-23U](#) [F24-250-B](#)
[F-242U](#) [F-245U](#) [F-264U](#) [F-265U](#) [F-267U](#) [F-281U](#) [F-283U](#) [F-290X](#) [F-295Z](#) [F-296Z](#) [F-298Z](#) [F-3143P](#) [F-3298Z](#) [F-33U](#) [F-346X](#) [F-35U](#) [F-](#)
[364U](#) [F-392A](#) [F-395X](#) [F-397U](#) [F-412X](#) [F-47U](#) [F-55X-1](#) [F-60U](#) [F-68U](#) [F-71U](#) [F-72Z](#) [F-74U](#) [F-83A](#) [F-84AC](#) [F-85U](#) [F-86U](#) [F-9U](#) [PCT-02](#)