

THIS DRAWING IS UNPUBLISHED. RELEASED FOR PUBLICATION

© COPYRIGHT BY TYCO ELECTRONICS CORPORATION. ALL RIGHTS RESERVED.

LOC GZ DIST 00

REVISIONS

P	LTR	DESCRIPTION	DATE	DWN	APVD
C		ECO720-0447-04	13JUL04	MD	KH

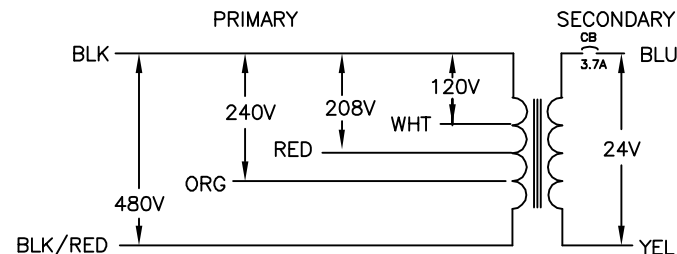
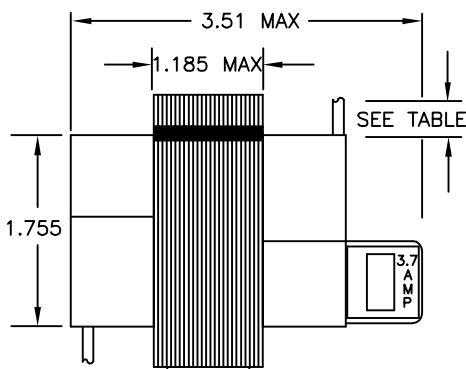
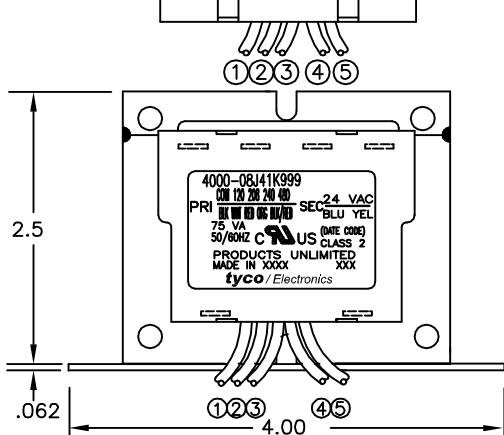
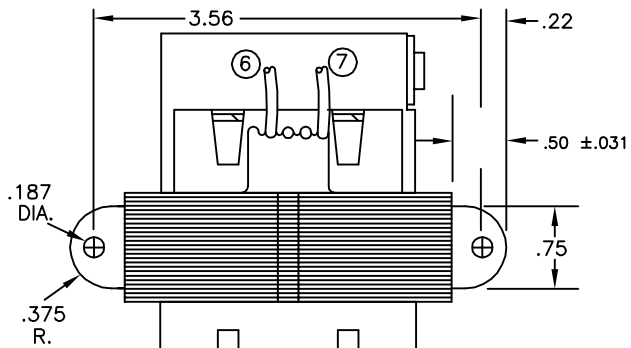
ALL LEADS 18AWG--UNLESS OTHERWISE SPECIFIED

PRIMARY					
LEAD NO.	1	2	3	4	5
VOLTAGE	COM	120	208	240	480
COLOR	BLK	WHT	RED	ORG	BLK/RED
LENGTH	12.0	12.0	12.0	12.0	12.0
STRIP LENGTH	.50	.50	.50	.50	.50

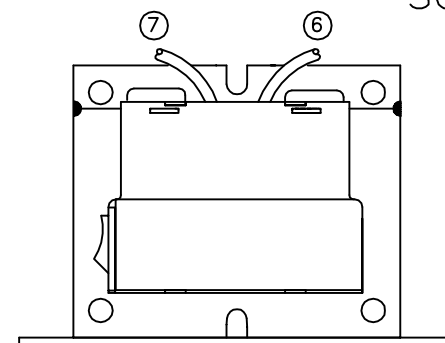
NOTES  
 1. DIMENSIONS FOR REFERENCE ONLY.  
 2. ALL LEADS +1"/-0" TOL.  
 3. STRIP TOL. ±1/32  
 4. WINDING PROTECTION--  
 3.7 AMP CIRCUIT BREAKER  
 IN SECONDARY  
 NON-INHERENTLY LIMITED

CERTIFICATION:  
 UL & CUL FILE NO. E87824

SECONDARY				
LEAD NO.	6	7	8	9
VOLTAGE	24	VAC		
COLOR	BLU	YEL		
LENGTH	12.0	12.0		
STRIP LENGTH	.50	.50		



SCHEMATIC



TYCO PART NUMBER  
 6-1611468-4

THIS DRAWING IS A CONTROLLED DOCUMENT.		DWN K.H.	10FEB1997	Products Tyco Electronics Corporation Harrisburg, PA 17105-3608	
DIMENSIONS: INCHES		CHK -	-	NAME -	
TOLERANCES UNLESS OTHERWISE SPECIFIED:		APVD -	-	PRODUCT SPEC -	
0 PLC ± -		APPLICATION SPEC -		SIZE A3	
1 PLC ± -		WEIGHT -		CAGE CODE 00779	
2 PLC ± -		CUSTOMER DRAWING		DRAWING NO C= 4000-08J41K999	
3 PLC ± -		SCALE NONE		RESTRICTED TO -	
4 PLC ± -		SHEET 1 OF 1		REV C	
4 ANGLES ± -					
MATERIAL -					
FINISH -					

## **X-ON Electronics**

Largest Supplier of Electrical and Electronic Components

*Click to view similar products for [Power Transformers](#) category:*

*Click to view products by [TE Connectivity](#) manufacturer:*

Other Similar products are found below :

[ET-030A](#) [F-102X](#) [F-120X](#) [F-14X-1](#) [F-181U](#) [F-18A](#) [F-199U](#) [F-19X](#) [F-202U](#) [F-204U](#) [F-206U](#) [F-227X](#) [F-238U](#) [F-239U-1](#) [F-23U](#) [F24-250-B](#)  
[F-242U](#) [F-245U](#) [F-264U](#) [F-265U](#) [F-267U](#) [F-281U](#) [F-283U](#) [F-290X](#) [F-295Z](#) [F-296Z](#) [F-298Z](#) [F-3143P](#) [F-3298Z](#) [F-33U](#) [F-346X](#) [F-35U](#) [F-](#)  
[364U](#) [F-392A](#) [F-395X](#) [F-397U](#) [F-412X](#) [F-47U](#) [F-55X-1](#) [F-60U](#) [F-68U](#) [F-71U](#) [F-72Z](#) [F-74U](#) [F-83A](#) [F-84AC](#) [F-85U](#) [F-86U](#) [F-9U](#) [PCT-02](#)