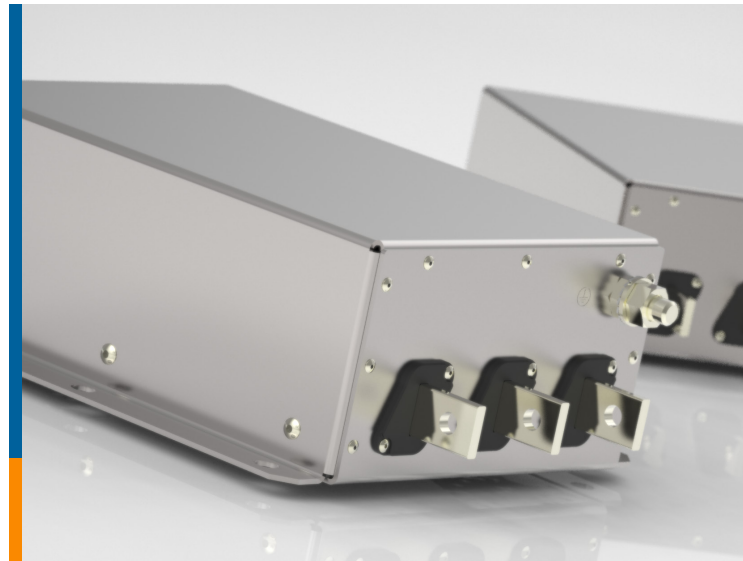


CORCOM APH & APS SERIES

High Current
3-Phase Power Line Filters



TE Connectivity has expanded the offering of Corcom 3-phase filters with high current models ranging from 250 to 1600 amps. Focused on alternative energy inverter and motor drive industries, the APH and APS Series offer models for standard and high performance applications in compact, low weight configurations with corrosion resistant busbar terminations for harsh environments. The APH and APS Series are also available without line to ground capacitors to work with variety of inverter system configurations.

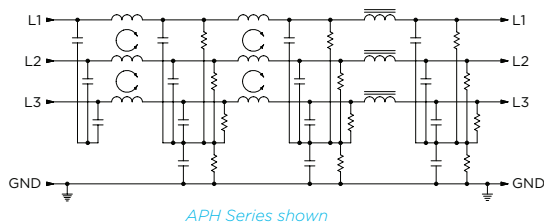
Standards and Specifications



Electrical Specifications

		520 V Models	690 V Models
Nominal leakage current:		6 mA	10 mA
Maximum leakage current:		222 mA @ 277 V, 50 Hz	330 mA @ 400 V, 50 Hz
Hipot rating (one minute):	Line to Ground:	2200 VDC	2640 VDC
	Line to Line:	2160 VDC	2520 VDC
Operating Voltage:		520 VAC	690 VAC
Operating Frequency:		50 - 60 Hz	
Rated Current:		250 to 1600 A	

Electrical Schematic



Key Features

- Light weight for easy installation
- Compact size
- High current applications up to 1600 A
- Delta wiring configuration
- Two performance levels
- 520 and 690 VAC models
- Available with limited leakage current

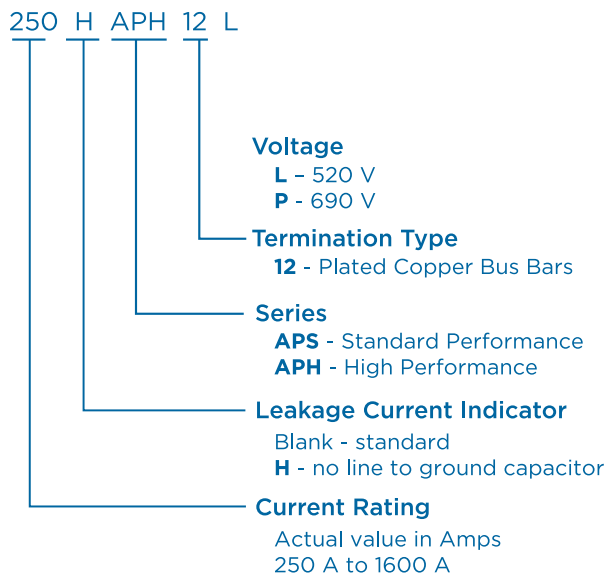
Key Benefits

- Reduced mounting and supporting structure requirements thanks to the lighter weight design
- Accommodate various installation configurations with flange mounting
- Reduced field service requirements with ruggedized busbar terminations

Applications

- Motor Drives
- Alternative Energy
- CNC Machines

Ordering Information



Dimensions

Model	Enclosure *			Bus Bar
	Length mm	Width mm	Height mm	width x height mm
250APS12L & 250APS12P	208	160	123	5 x 20
400APS12L & 400APS12P	245	205	120	6 x 25
600APS12L & 600APS12P	245	205	120	8 x 25
1000APS12L & 1000 APS12P	280	200	142	8 x 40
1600APS12L & 1600APS12P	350	210	175	10 x 63
250APH12L	250	160	115	5 x 20
400APH12L	300	210	115	6 x 25
600APH12L	300	210	115	8 x 25
1000APH12L	350	230	144	8 x 40
1600APH12L	400	250	160	10 x 63
250APH12P	250	160	125	5 x 20
400APH12P	300	210	128	6 x 25
600APH12P	300	210	150	8 x 25
1000APH12P	350	230	165	8 x 40
1600APH12P	400	250	181	10 x 63

Dimensions are shown for reference purposes only. Specifications subject to change.
Customer drawing should be used for all design activity.

* does not include mounting flange

X-ON Electronics

Largest Supplier of Electrical and Electronic Components

Click to view similar products for te connectivity manufacturer:

Other Similar products are found below :

[570416-000](#) [CLTEQ-M81CE-SSRELAY-4-20V](#) [D38999/24FJ4AN](#) [358838-000](#) [4-1195131-0](#) [650069-000](#) [SMD100-2](#) [CB-1022B-78](#)
[RM707012](#) [RP410012](#) [MMS42](#) [1-640426-8](#) [2EDL4CM](#) [DTS20W19-11PD-3028-LC](#) [RM202615](#) [NC6-P104-06](#) [TXR64AB90-3616AI](#)
[MSPS103B](#) [DTS26F21-41AE](#) [DTS26F21-41PE-LC](#) [DTS26F21-11SE-3028-LC](#) [1932144-1](#) [293545-4](#) [LVR125S](#) [MS27466T25F4PB](#) [CKB-](#)
[38-78010](#) [1206SFF150F/63-2](#) [5-2027513-8](#) [D38999/20JB35HA](#) [D38999/24WJ20PA](#) [1754138-1](#) [TE1500A2R2J](#) [DTS24F25-29PC-3028-LC](#)
[164-8033-08](#) [D38999/24WG11HA](#) [D38999/24WG11HN](#) [MS27467T21F11H](#) [DJT16E21-11HA](#) [1206SFH150F/24-2](#) [1-532955-3](#) [DTS24F19-](#)
[11SC-3028-LC](#) [DTS24F21-41HN-LC](#) [DTS24F21-41AN](#) [DTS24F21-41PN-LC](#) [DBAS 70-7-0 SN 090-1A SCC](#) [MS27467T21F35J](#)
[MS27467T21F11J](#) [MS27467T21F16H-LC](#) [MS27467T21F35H](#) [MS27467T21F41H-LC](#)