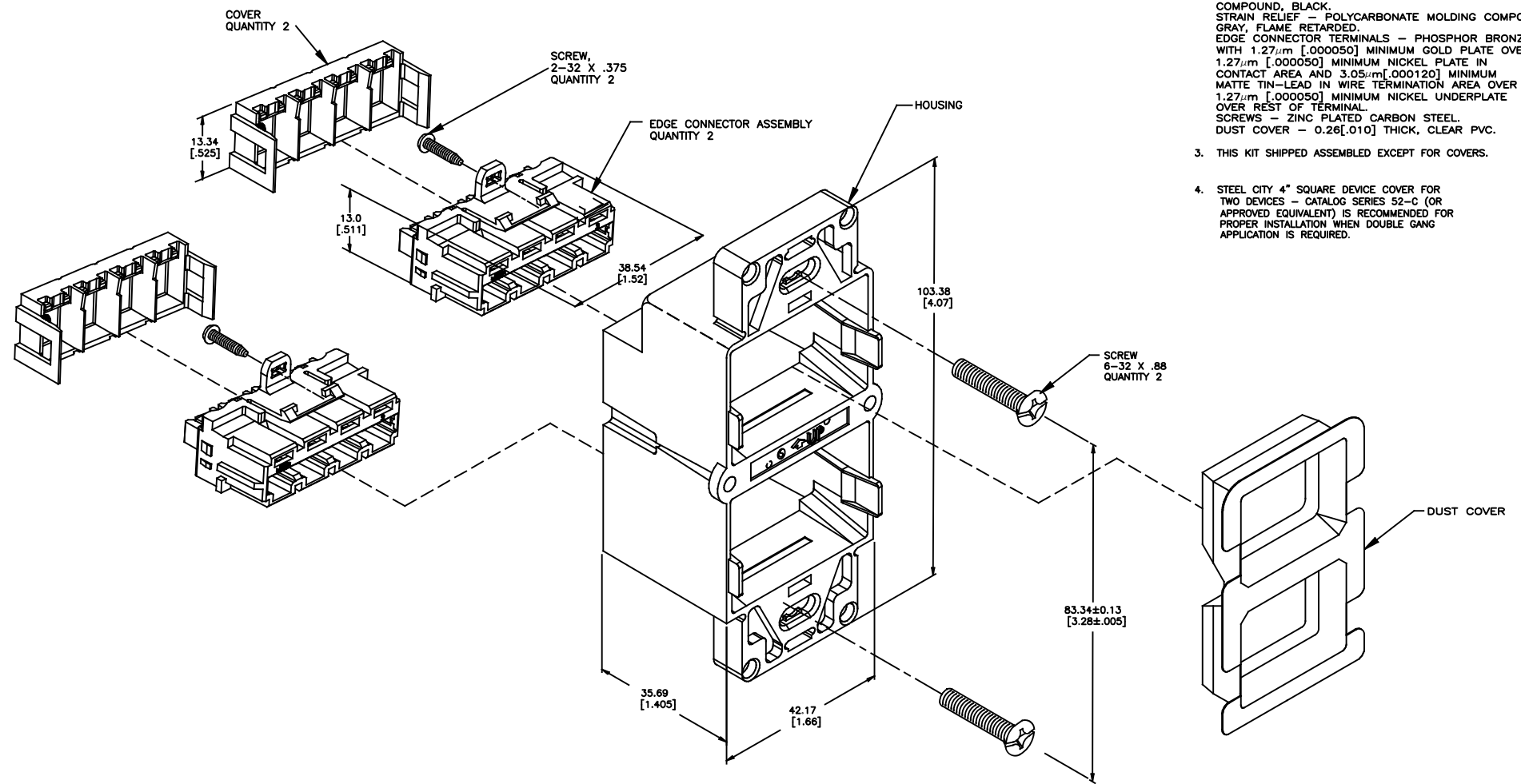
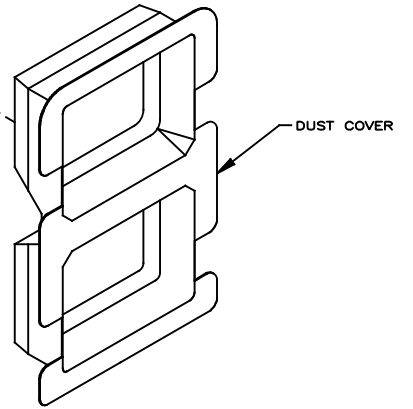


REVISIONS			
REV	DATE	DESCRIPTION	BY
C	REV PER ECH 8000202708		GG



EXPLODED VIEW

1. DIMENSIONS ARE MAXIMUM UNLESS OTHERWISE SHOWN.
2. MATERIAL:
 HOUSING — ABS MOLDING COMPOUND, NATURAL.
 EDGE CONNECTOR HOUSING — POLYESTER MOLDING COMPOUND, BLACK.
 STRAIN RELIEF — POLYCARBONATE MOLDING COMPOUND, GRAY, FLAME RETARDED.
 EDGE CONNECTOR TERMINALS — PHOSPHOR BRONZE WITH 1.27µm [.000050] MINIMUM GOLD PLATE OVER 1.27µm [.000050] MINIMUM NICKEL PLATE IN CONTACT AREA AND 3.05µm [.000120] MINIMUM MATTE TIN-LEAD IN WIRE TERMINATION AREA OVER 1.27µm [.000050] MINIMUM NICKEL UNDERPLATE OVER REST OF TERMINAL.
 SCREWS — ZINC PLATED CARBON STEEL.
 DUST COVER — 0.26[.010] THICK, CLEAR PVC.
3. THIS KIT SHIPPED ASSEMBLED EXCEPT FOR COVERS.
4. STEEL CITY 4" SQUARE DEVICE COVER FOR TWO DEVICES — CATALOG SERIES 52-C (OR APPROVED EQUIVALENT) IS RECOMMENDED FOR PROPER INSTALLATION WHEN DOUBLE GANG APPLICATION IS REQUIRED.



406091-1
 PART NO.

THIS DRAWING IS A CONTROLLED DOCUMENT.		REV	T	SPRINKLE	SECTION
DIMENSIONS: mm [inches]		DATE	11-15-2016	STATUS	Standard
MATERIAL: POLYESTER		APP	11-15-2016	STATUS	Standard
GENERAL: FINISH		APP	11-15-2016	STATUS	Standard
CUSTOMER DRAWING		APP	11-15-2016	STATUS	Standard
SCALE: 2:1		APP	11-15-2016	STATUS	Standard
SHEET: 1 of 1		APP	11-15-2016	STATUS	Standard
REV: C		APP	11-15-2016	STATUS	Standard
CUSTOMER DRAWING		APP	11-15-2016	STATUS	Standard
COMMSCOPE, INC.		APP	11-15-2016	STATUS	Standard
INSTALLATION KIT, SMALL, UNSHIELDED		APP	11-15-2016	STATUS	Standard
AMP COMMUNICATION OUTLET II		APP	11-15-2016	STATUS	Standard
406091		APP	11-15-2016	STATUS	Standard

X-ON Electronics

Largest Supplier of Electrical and Electronic Components

Click to view similar products for [Modular Connectors / Ethernet Connectors](#) category:

Click to view products by [TE Connectivity](#) manufacturer:

Other Similar products are found below :

[8949-H88/06BLKA/SN](#) [74441-0010/BKN](#) [MP1010RX-1000](#) [MP44RX-1000](#) [PHJ-4P4C-1-V-4](#) [PHP-6P6C-5](#) [GAX-3-66](#) [GAX-8-62](#) [GDCX-PA-66-50](#) [GDCX-PN-64](#) [GDCX-PN-66](#) [GDCX-PN-66-50](#) [GDLX-A-66](#) [GDLX-N-66](#) [GDLX-S-66](#) [GDLX-S-88K](#) [GDTX-S-88-50](#) [GDX-PA-1010](#) [GLX-N-1010M-BLK](#) [GLX-S-88M-BLK](#) [GMX-N-1010](#) [GMX-S-1010](#) [GMX-S-66](#) [GMX-SMT4-N-88](#) [GPX-2-64](#) [GSGX-N-2-88](#) [GSGX-N-4-88](#) [GSX-NS2-88-3.05](#) [GSX-NS2-88-3.05-50](#) [GSX-NS-88-3.05-50](#) [PT-108A-8C-UL](#) [PT-J951-8C](#) [PTS-J531-8CS-50UL](#) [1-1775629-2](#) [A-2014-0-4](#) [GWLX-S-88-GR](#) [GWLX-S9-88-YG](#) [DC-1021-8-WH-6](#) [1300530003](#) [1324640-4](#) [RJ11FTVC2G](#) [RJ11FTVC2N](#) [RJFTVX2SA1G](#) [132764-001](#) [1413235](#) [MP88X-1000](#) [MPS88RX-5000](#) [E5288-S000K3-L](#) [E5908-15A242-L](#) [155302-001](#)