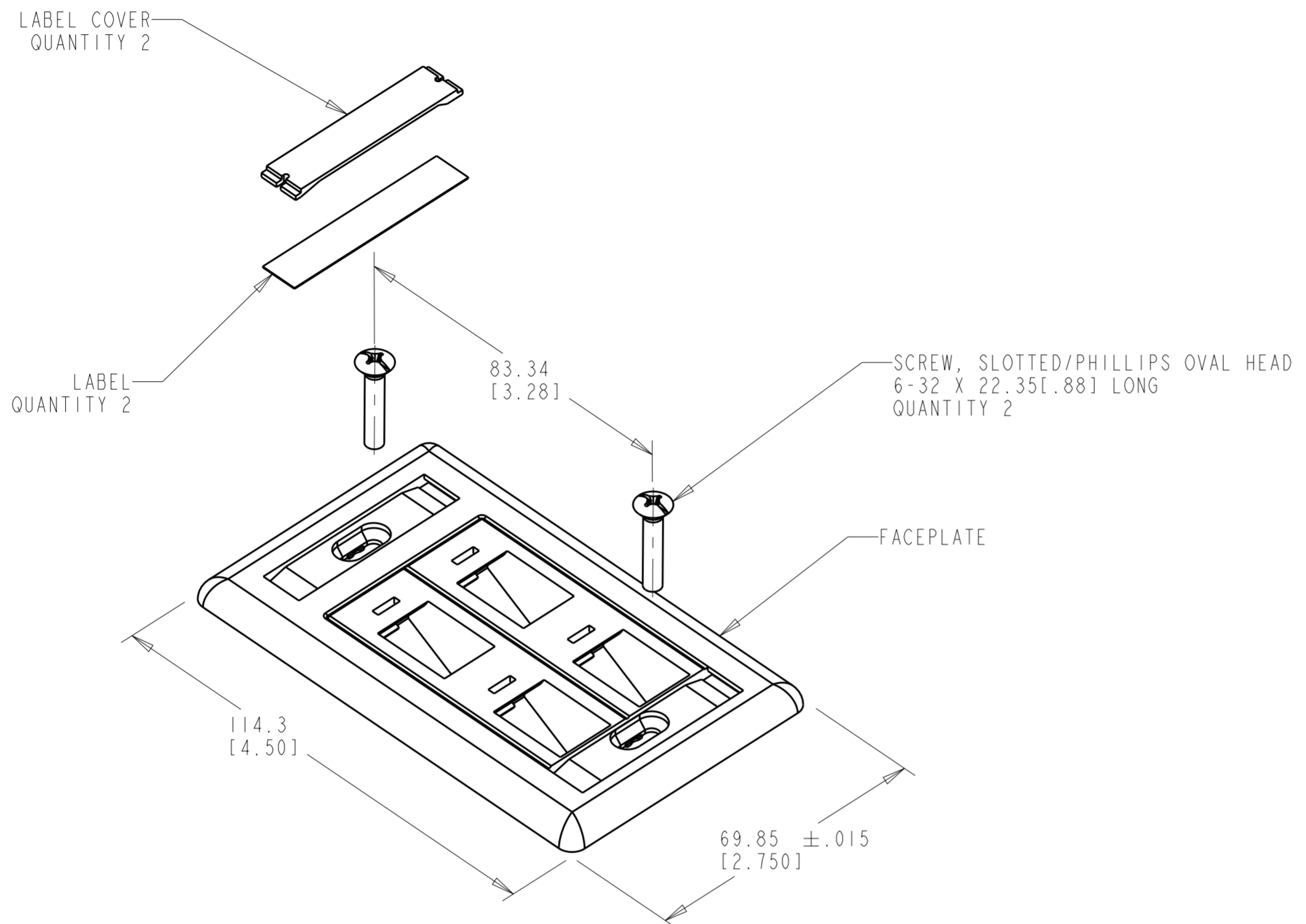


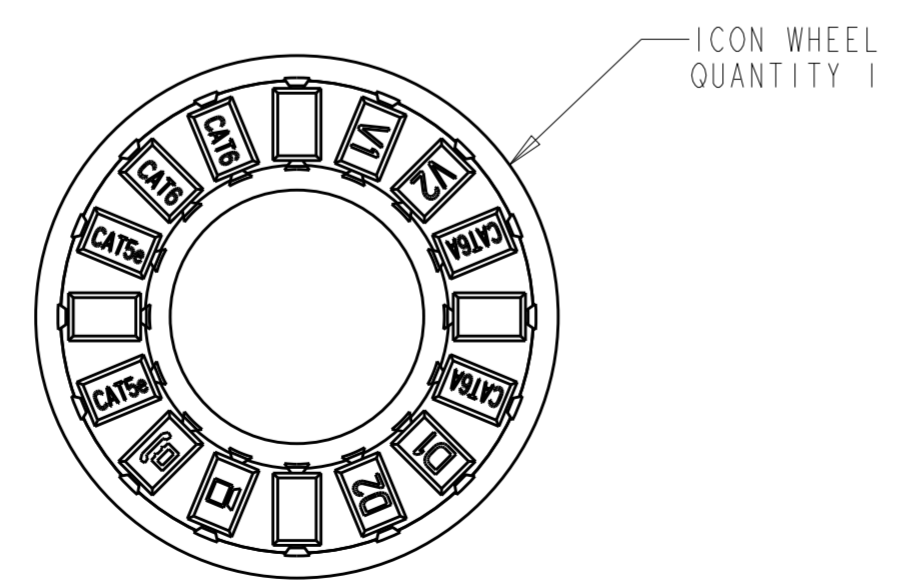
THIS DRAWING IS UNPUBLISHED. RELEASED FOR PUBLICATION 20
 © COPYRIGHT 20 BY - ALL RIGHTS RESERVED.

LOC	DIST	REVISIONS					
HM	00	P	LTR	DESCRIPTION	DATE	DWN	APVD
		F		REV ECO-11-000935	14JAN2011	LH	RA
		G		REV ECO-11-010380	20MAY2011	LH	RA
		H		REV PER ECO-14-001886	10FEB14	JB	RA



⚠ MATERIAL: FACEPLATE - ABS MOLDING COMPOUND. SEE TABLE FOR COLOR.
 ICON - POLYCARBONATE MOLDING COMPOUND. SEE TABLE FOR COLOR.
 LABEL COVER - POLYCARBONATE MOLDING COMPOUND, CLEAR.
 LABEL - WHITE INDEX PAPER.
 SCREW - ZINC PLATED CARBON STEEL.

2. THIS KIT SHIPPED NOT ASSEMBLED.



ALPINE WHITE	1-406185-3
ELECTRICAL IVORY	1-406185-1
NEMA GRAY	406185-4
WHITE	406185-3
BLACK	406185-2
LIGHT ALMOND	406185-1
COLOR	PART NO.

THIS DRAWING IS A CONTROLLED DOCUMENT.

DWN	B. SIMPSON	10SEP96
CHK	N. JONES	26SEP96
APVD	P. PEPF	01OCT96

TE Connectivity

NAME: FACEPLATE KIT, 4 PORT 110 CONNECT

SIZE	CAGE CODE	DRAWING NO	RESTRICTED TO
A2	00779	C-406185	-

Customer Drawing

SCALE: 1:1 SHEET OF REV H

X-ON Electronics

Largest Supplier of Electrical and Electronic Components

Click to view similar products for [Wire Ducting & Raceways](#) category:

Click to view products by [TE Connectivity](#) manufacturer:

Other Similar products are found below :

[800A-LB](#) [801I-LSP](#) [802A-ECSP](#) [802I-ICSP](#) [923223-000](#) [PRAF6WH-X](#) [A0405538](#) [1301150342](#) [1301160034](#) [1301170070](#) [1301180011](#)
[1301230083](#) [1301230153](#) [1301240273](#) [1301250006](#) [1302261238](#) [1302261321](#) [1302262552](#) [1302263103](#) [1302263178](#) [1302263259](#)
[1302263816](#) [1302263860](#) [1302264375](#) [1302264390](#) [1301150343](#) [1301160030](#) [1301170050](#) [1301170051](#) [1301170061](#) [1301180013](#)
[1301230086](#) [1301230130](#) [1301240054](#) [1302260055](#) [1302260376](#) [1302261343](#) [1302261344](#) [1302262674](#) [1302263095](#) [1302263166](#)
[1302263209](#) [1302263513](#) [1302263851](#) [1302263870](#) [1302264137](#) [1302264218](#) [DD1/J](#) [AX102007](#) [AX102261](#)