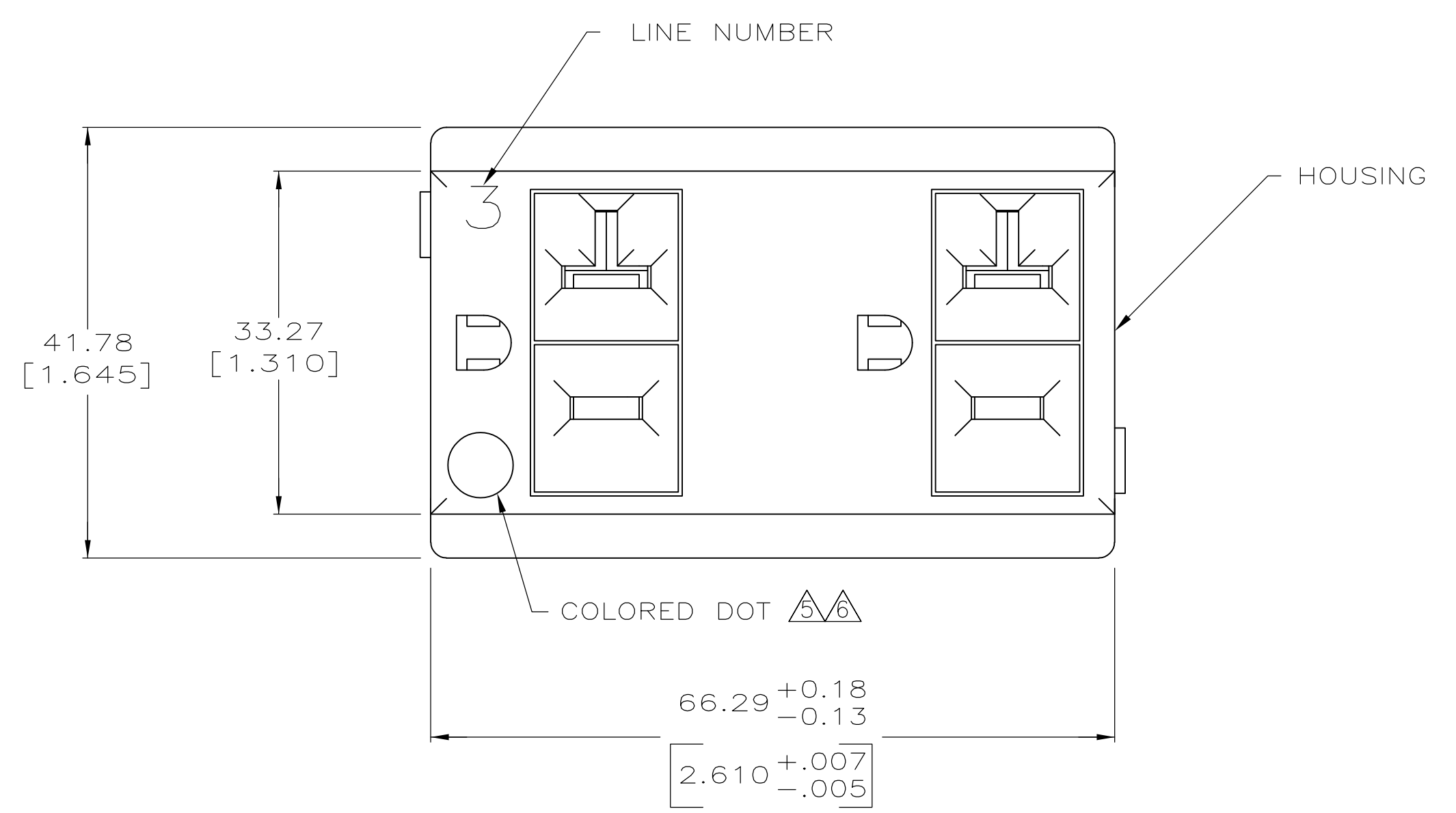
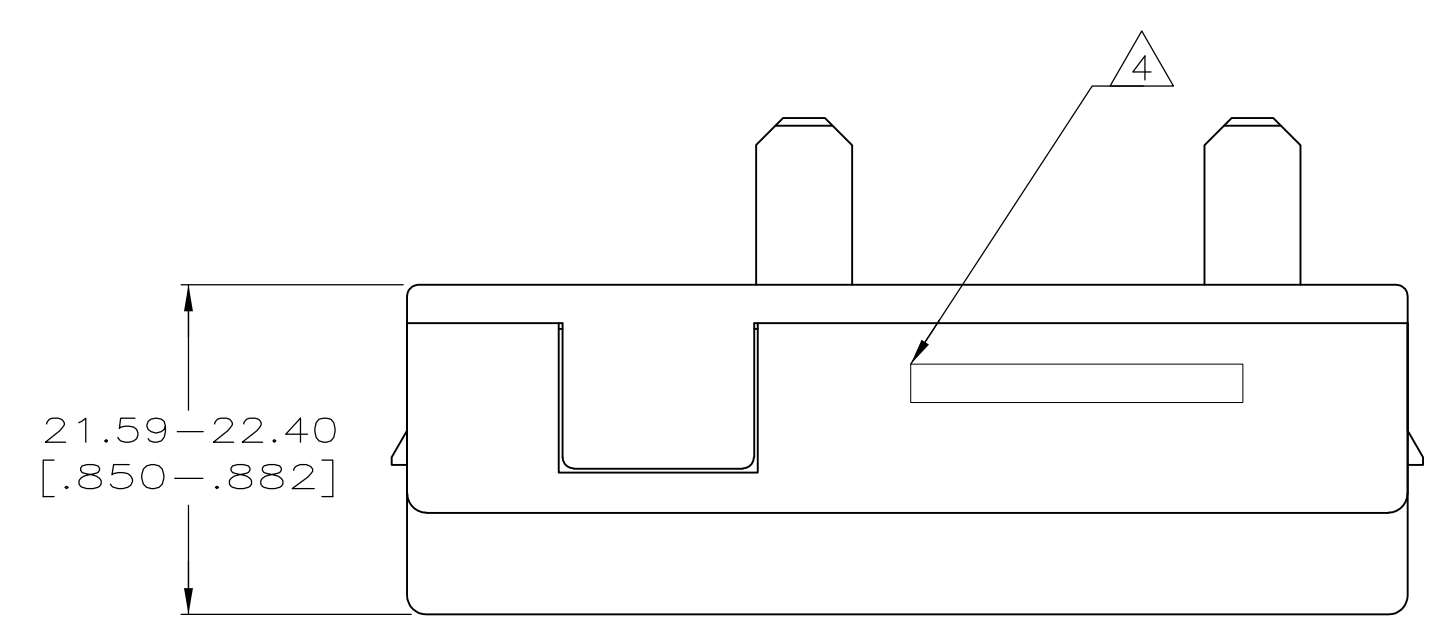
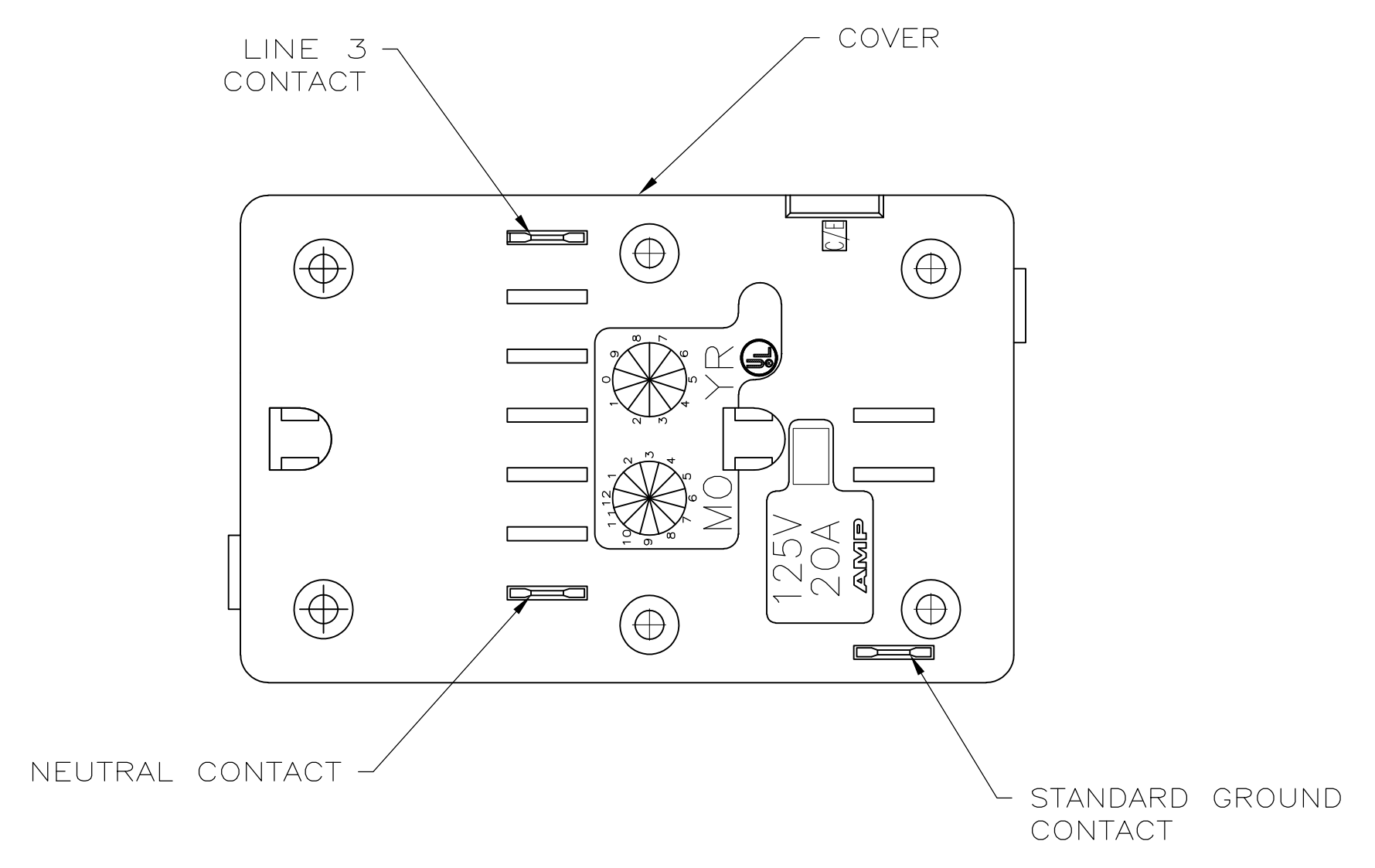


LOC		DIST		REVISIONS			
REV	DATE	DESCRIPTION	DATE	BY	APPV		
B	28MAY04	REV-EC 0B40-0037-04	28MAY04	LH	FL		
C	15JAN09	OBS -2,-3; REV ECO-09-000726	15JAN09	LH	SJ		



- ⚠ MATERIAL: HOUSING AND COVER - POLYCARBONATE COMPOUND, 94V-0 RATED. SEE TABLE FOR COLOR. CONTACTS - COPPER ALLOY, TIN PLATED.
- 2. RECEPTACLE IS RATED 125V, 20A.
- 3. DUPLEX RECEPTACLE MATES WITH POWER JUNCTION BOXES.
- ⚠ TYCO ELECTRONICS PART NUMBER STAMPED ON SIDE OF DUPLEX HOUSING. SEE TABLE FOR CORRECT PART NUMBER.
- ⚠ PART NUMBER 406250-2. GRAY COLORED DOT INDICATES DUPLEX CONNECTED TO UPS CIRCUIT.
- ⚠ PART NUMBER 406250-3. RED COLORED DOT INDICATES DUPLEX CONNECTED TO EMERGENCY CIRCUIT.

OBSOLETE	LINE NUMBER	HOUSING COLOR	HOUSING COLOR NUMBER	HOUSING COLOR	PART NO.
— RED	WHITE	701	BLACK	406250-3	
— GRAY	WHITE	701	BLACK	406250-2	
—	WHITE	701	BLACK	406250-1	

THIS DRAWING IS A CONTROLLED DOCUMENT.

DIMENSIONS: mm [INCHES]	TOLERANCES UNLESS OTHERWISE SPECIFIED:	DWN L. HALL 27MAY04	Tyco Electronics Corporation Harrisburg, Pa 17105-3608
0. PLC ± -	1. PLC ± -	CHK F. LINCOLN 28MAY04	
2. PLC ± -	3. PLC ± 0.13[.005]	APP'D F. LINCOLN 28MAY04	NAME
4. PLC ± -	ANGLES ± -	FINISH	PRODUCT SPEC
MATERIAL	FINISH	SIZE	APPLICATION SPEC
		WEIGHT	RESTRICTED TO
		CAGE CODE	DUPLX RECEPTACLE, LINE 3, STANDARD GROUND, 20 AMP, 2 INCH PANEL, 8 WIRE/5 WIRE
		DRAWING NO	SIZE
		SCALE	WEIGHT
		SHEET	1 OF 1
		REV	C

CUSTOMER DRAWING SCALE 2:1 SHEET 1 OF 1 REV C

## X-ON Electronics

Largest Supplier of Electrical and Electronic Components

*Click to view similar products for [AC Power Plugs & Receptacles](#) category:*

*Click to view products by [TE Connectivity](#) manufacturer:*

Other Similar products are found below :

[739W-X2/03-BACK1](#) [85447L](#) [1301460003](#) [1301520016](#) [1301520008](#) [14W07](#) [15W07](#) [22806](#) [929662-1](#) [27W75](#) [27W81](#) [962160-1](#)  
[29W08MB](#) [29W82](#) [26W](#) [26W76BLK](#) [27W47](#) [27W48](#) [28W](#) [28W81](#) [29W47MB](#) [HDR-E14FG1+](#) [30-9717-25](#) [43305](#) [85266](#) [5262DW](#) [22801](#)  
[22804](#) [25W47](#) [701W-15/06](#) [701W-20/27](#) [27T76](#) [29T48](#) [739W-20/XX](#) [1301860536](#) [1301520018](#) [1301520021](#) [1301520020](#) [8210GY](#)  
[29W48](#) [3011-06](#) [A52S22A](#) [739W-X2/XX3](#) [26T49](#) [2707](#) [26W47-W](#) [1301450073](#) [RECWALLBOXBA](#) [1301490033](#) [30-1511](#)