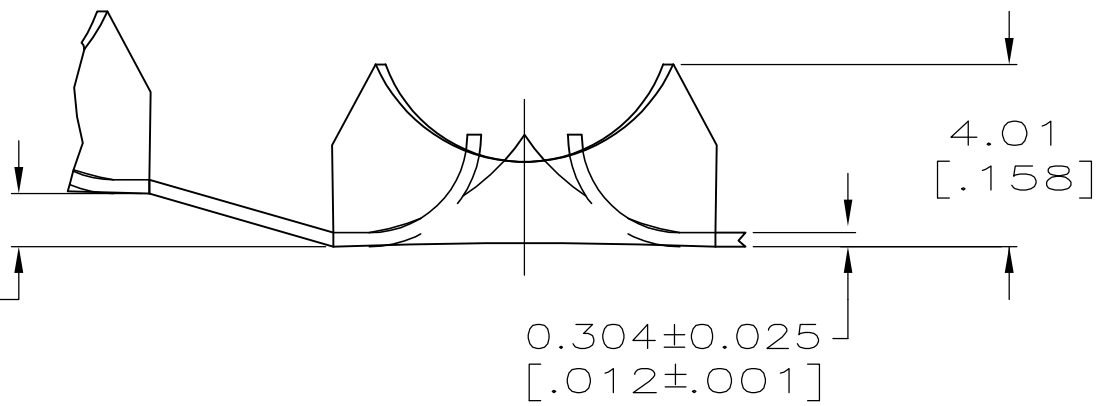
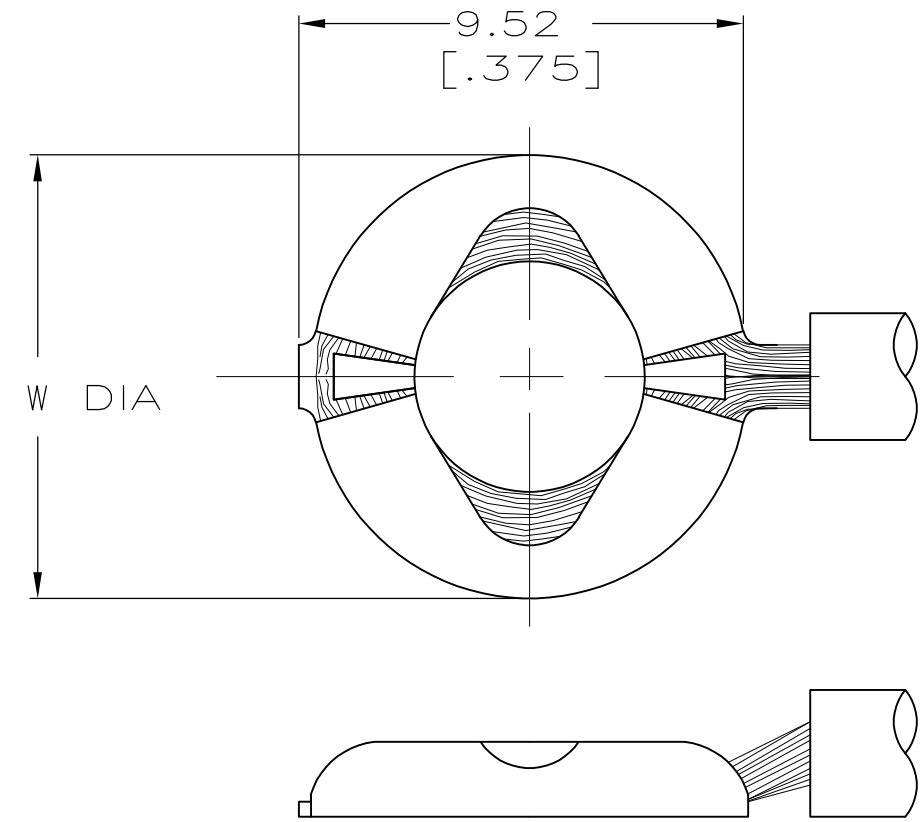
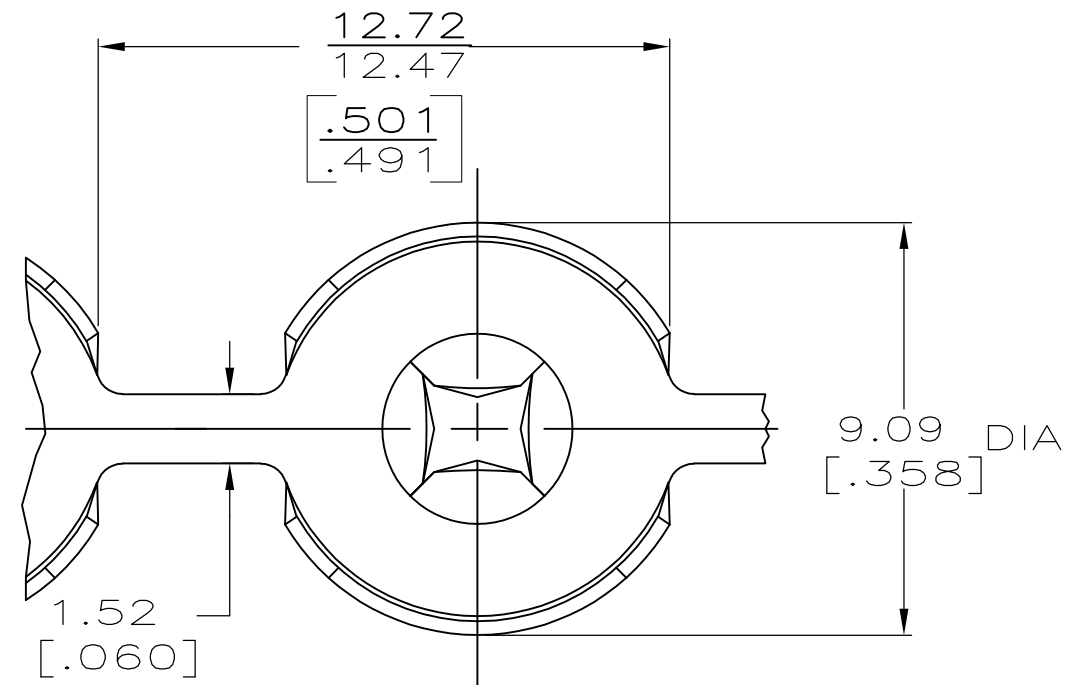


THIS DRAWING IS UNPUBLISHED. RELEASED FOR PUBLICATION  
 © COPYRIGHT BY TYCO ELECTRONICS CORPORATION. ALL INTERNATIONAL RIGHTS RESERVED.

LOC	DIST	REVISIONS					
AF	50	P	LTR	DESCRIPTION	DATE	DWN	APVD
		AA1		REVISED PER ECR 10-007002	31MAR10	JR	PD

1 CONTINUOUS STRIP ON REELS  
 2 PRELIMINARY — NOT FOR PRODUCTION



8.84 [.348]	4.93 [.194]	40629-1 D	40629 D
9.78 [.385]	5.31 [.209]	40629-1 C	40629 C
9.78 [.385]	4.93 [.194]	40629-1 B	40629 B
9.78 [.385]	4.62 [.182]	40629-1 A	40629 A
W	0.13 HOLE DIA ± [.005]	WITH PAPER	NO PAPER
		TOOLING DESIGNATION FOR APPLICATOR	

WITH INTERLEAFING PAPER	0.8mm <sup>2</sup> -2.0mm <sup>2</sup>	2 40629-1
STANDARD	[18-14] AWG	40629
REELING	WIRE SIZE	PART NO.

THIS DRAWING IS A CONTROLLED DOCUMENT.		DWN P FORTNEY 1/26/90	Tyco Electronics Corporation Harrisburg, PA 17105-3608	
DIMENSIONS: INCHES		CHK MS FEHER 1/26/90		
TOLERANCES UNLESS OTHERWISE SPECIFIED:		APVD G YETTER 1/26/90	NAME EYELET, CROWN CRIMP	
0 PLC ± - 1 PLC ± - 2 PLC ± - 3 PLC ± 0.38 [.015] 4 PLC ± - ANGLES ± -		PRODUCT SPEC -	SIZE A3	
MATERIAL #1 HARD BRASS		FINISH -	APPLICATION SPEC -	CAGE CODE 00779
		WEIGHT -	RESTRICTED TO -	DRAWING NO C-40629
		CUSTOMER DRAWING	SCALE 6:1	SHEET 1 OF 1
				REV AA1

## X-ON Electronics

Largest Supplier of Electrical and Electronic Components

*Click to view similar products for [Terminals](#) category:*

*Click to view products by [TE Connectivity](#) manufacturer:*

Other Similar products are found below :

[00-054007-01074-6](#) [00-054007-70206-1](#) [00-054007-70210-8](#) [00-054007-70217-7](#) [00-054007-70226-9](#) [00-054007-70228-3](#) [00-054007-70248-1](#) [00-054007-70256-6](#) [00-054007-70301-3](#) [00-054007-70316-7](#) [0-0320562-0](#) [00-054007-49560-4](#) [00-054007-70209-2](#) [00-054007-70225-2](#) [00-054007-70227-6](#) [00-054007-70231-3](#) [00-054007-70241-2](#) [00-054007-70242-9](#) [00-054007-70244-3](#) [00-054007-70246-7](#) [00-054007-70263-4](#) [00-054007-70288-7](#) [00-054007-70290-0](#) [00-054007-70300-6](#) [00-054007-70304-4](#) [01-2065-1-0216](#) [01-2900-1-04412](#) [00581P0075](#) [600TS-10](#) [60205-1](#) [604200-1](#) [605601-1](#) [60598-1-CUT-TAPE](#) [61314-6-C](#) [61810-3](#) [61-S](#) [61-SN](#) [626-0194](#) [62-NBM-A](#) [62-SN](#) [62-SP](#) [63-S](#) [640179-1](#) [M55155/059I03](#) [M55155/079C01](#) [M55155/099H02](#) [M55155/109H01](#) [M55155/109H02](#) [M55155/12XH05](#) [M55155/16XH02](#)