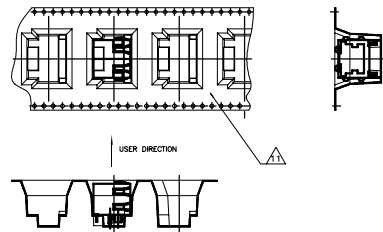
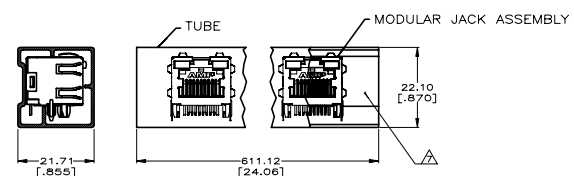
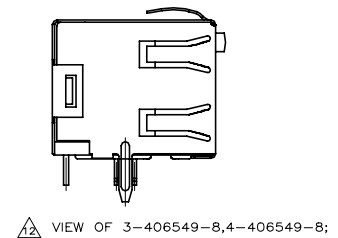
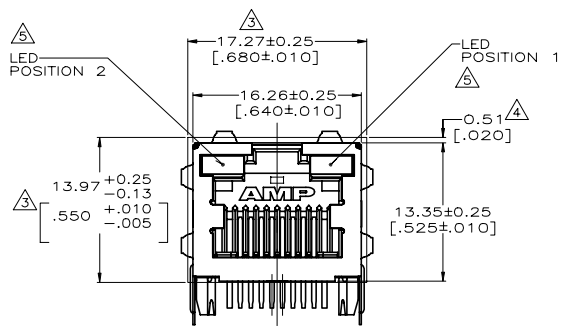
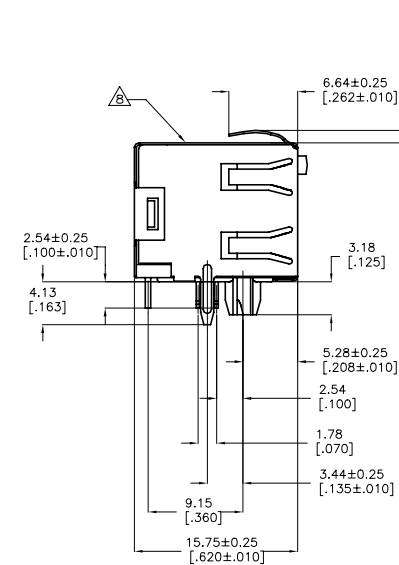
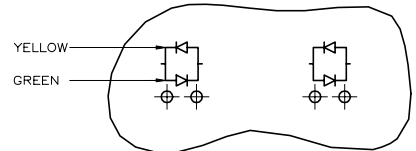


REVISIONS				
REV	DATE	DESCRIPTION	BY	APP'D
U1	ECO-18-014918		RR	SH

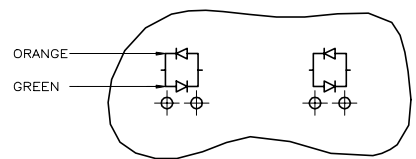


DETAIL A
TUBE PACKAGE
SCALE 2:1

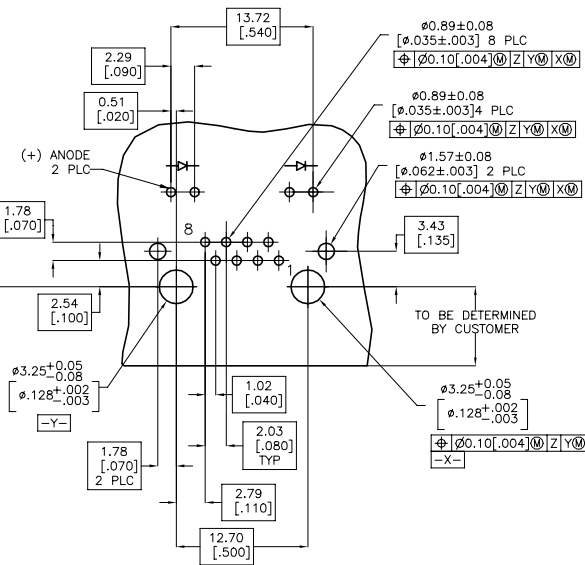
DETAIL B
TAPE REEL PACKAGE
SCALE 2:1



LED CURRENT DIAGRAM
406549-8, 2-406549-8



LED CURRENT DIAGRAM
2-406549-7 ONLY



RECOMMENDED PRINTED CIRCUIT BOARD LAYOUT
(COMPONENT SIDE)

- 1. MATERIAL: HOUSING - HIGH TEMPERATURE THERMOPLASTIC, BLACK, UL94V-0. TERMINALS - 0.36[.014] THICK PHOS BRONZE PLATED WITH 3.81µm[.000150] MINIMUM THICK (SEE P/N TABLE) IN SOLDER AREA. 1.27µm [.000050] MINIMUM GOLD IN LOCALIZED PLATE AREA. ENTIRE TERMINAL PLATED WITH 1.27µm [.000050] MINIMUM THICK NICKEL. SHIELD - 0.196[.0077] THICK COPPER ZINC ALLOY PREPLATED WITH 1.27µm[.000050] MINIMUM SATIN NICKEL WITH 2.03µm[.000080] MINIMUM TIN POST DIPPED ON PCB GROUND TABS. LIGHT EMITTING DIODE (LED) - DIFFUSED EPOXY LENS, 0.51 x 0.51[.020 x .020] CARBON STEEL WIREFRAME LEADS PLATED WITH 8.89µm[.000350] TIN/COPPER OVER 2.03[.000080] SILVER OVER 1.02µm[.000040] NICKEL UNDERPLATE OVER 1.02µm[.000040] COPPER UNDERPLATE.
- 2. JACK CAVITY CONFORMS TO FCC RULES AND REGULATIONS PART 68, SUBPART F.
- 3. SUGGESTED PANEL OPENING DIMENSIONS.
- 4. SUGGESTED CLEARANCE BETWEEN TOP OF CONNECTOR AND TOP PANEL OPENING.
- 5. SEE TABLE FOR COLOR OF LEDS AND NUMBER REQUIRED.
- 6. THIS MODULAR JACK WITH INTEGRATED LED IS NOT IR REFLOW SOLDERING PROCESS COMPATIBLE.
- 7. PACKAGED 30 PIECES PER TUBE, SEE DETAIL "A".
- 8. MANUFACTURING DATE CODE: LOCATED APPROX. AS SHOWN. FIRST 2 DIGITS = LAST 2 DIGITS OF YEAR. NEXT 2 DIGITS = MANUFACTURING WORK WEEK. LAST DIGIT = DAY OF WEEK WITH SUNDAY = 1.
- 9. THE PART IS PRELIMINARY.
- 10. OBSOLETE PARTS: OBSOLETE CIS STREAMLINING PER D.RENAUD/D.SINIS
- 11. TAPE REEL PACKAGE ,SEE DETAIL B.
- 12. WITHOUT PLASTIC POST, SEE VIEW OF 3-406549-8, AND 4-406549-8;
- 13. REFLOW SOLDER PROCESS COMPATIBLE

REV	DESCRIPTION	DATE	BY	APP'D	
1	MATTE TIN	TAPE REEL	YELLOW/GREEN	YELLOW/GREEN	4-406549-8
2	MATTE TIN	TAPE REEL	YELLOW/GREEN	YELLOW/GREEN	3-406549-8
3	MATTE TIN	TRAY	-	GREEN/RED	3-406549-3
4	MATTE TIN	TRAY	RED	GREEN	3-406549-2
5	MATTE TIN	TRAY	YELLOW	GREEN	3-406549-1
6	MATTE TIN	TRAY	ORANGE/GREEN	GREEN	3-406549-0
7	MATTE TIN	TRAY	ORANGE/GREEN	YELLOW	2-406549-9
8	MATTE TIN	TRAY	ORANGE/GREEN	YELLOW/GREEN	2-406549-8
9	MATTE TIN	TRAY	ORANGE/GREEN	ORANGE/GREEN	2-406549-7
10	MATTE TIN	TRAY	YELLOW	YELLOW	2-406549-6
11	MATTE TIN	TRAY	GREEN	GREEN	2-406549-5
12	MATTE TIN	TRAY	GREEN	YELLOW	2-406549-4
13	MATTE TIN	TRAY	YELLOW	-	2-406549-3
14	MATTE TIN	TRAY	-	GREEN	2-406549-2
15	MATTE TIN	TRAY	YELLOW	GREEN	2-406549-1
16	OBSOLETE	TIN-LEAD	TRAY	YELLOW/GREEN	YELLOW/GREEN
17	OBSOLETE	TIN-LEAD	TRAY	YELLOW	YELLOW
18	OBSOLETE	TIN-LEAD	TRAY	GREEN	GREEN
19	OBSOLETE	TIN-LEAD	TRAY	GREEN	YELLOW
20	OBSOLETE	TIN-LEAD	TRAY	YELLOW	-
21	OBSOLETE	TIN-LEAD	TRAY	-	GREEN
22	OBSOLETE	TIN-LEAD	TRAY	YELLOW	GREEN

THIS DRAWING IS A CONTROLLED DOCUMENT. DATE: 17-SEP-97

DESIGNED BY: S. GARBETT
 DRAWN BY: S. GARBETT
 CHECKED BY: M. DESTINE
 DATE: 17-SEP-97

DIMENSIONS: mm (INCHES)
 DIMENSIONS: mm (INCHES)
 DIMENSIONS: mm (INCHES)
 DIMENSIONS: mm (INCHES)

PRODUCT SPEC: INVERTED MODULAR JACK ASSEMBLY, 1X1, SHIELDED, PANEL GROUND, LED

APPLICATION SPEC: 108-1163-4

SIZE: 114-2154

DATE CODE: 114-2154

WEIGHT: 0.000000

REV: 1

CUSTOMER DRAWING

SCALE: 4:1

SHEET: 1 of 1

REV: U1

X-ON Electronics

Largest Supplier of Electrical and Electronic Components

Click to view similar products for [Modular Connectors / Ethernet Connectors](#) category:

Click to view products by [TE Connectivity](#) manufacturer:

Other Similar products are found below :

[RJE231881317T](#) [MP1010RX-1000](#) [MP44RX-1000](#) [GAX-3-66](#) [GAX-8-62](#) [93606-0253](#) [GD-A-44](#) [GDCX-PA-66-50](#) [GDCX-PN-64](#) [GDCX-PN-66](#) [GDCX-PN-66-50](#) [GDLX-A-66](#) [GDLX-A-88](#) [GDLX-N-66](#) [GDLX-S-66](#) [GDLX-S-88K](#) [GDTX-S-88-50](#) [GDX-PA-1010](#) [GLX-N-1010M-BLK](#) [GLX-S-88M-BLK](#) [GMX-N-1010](#) [GMX-S-1010](#) [GMX-S-66](#) [GMX-SMT2-N-1010](#) [GMX-SMT2-N-64-50](#) [GMX-SMT2-N-88](#) [GMX-SMT2-S6-88](#) [GMX-SMT4-N-88](#) [GPX-2-64](#) [GRT1-BT1-5](#) [GSGX-N-2-88](#) [GSX-NS2-88-3.05](#) [GSX-NS2-88-3.05-50](#) [GSX-NS-88-3.05-30](#) [GSX-NS-88-3.05-50](#) [GSX-NS-88-3.68](#) [1-1775629-2](#) [GWLX-S-88-GR](#) [GWLX-S9-88-YG](#) [1300500326](#) [1300500227](#) [1300530003](#) [1300570002](#) [1324640-4](#) [RJ11FTVC2G](#) [RJ11FTVC2N](#) [RJFTVX2SA1G](#) [132764-001](#) [1400000](#) [1413235](#)