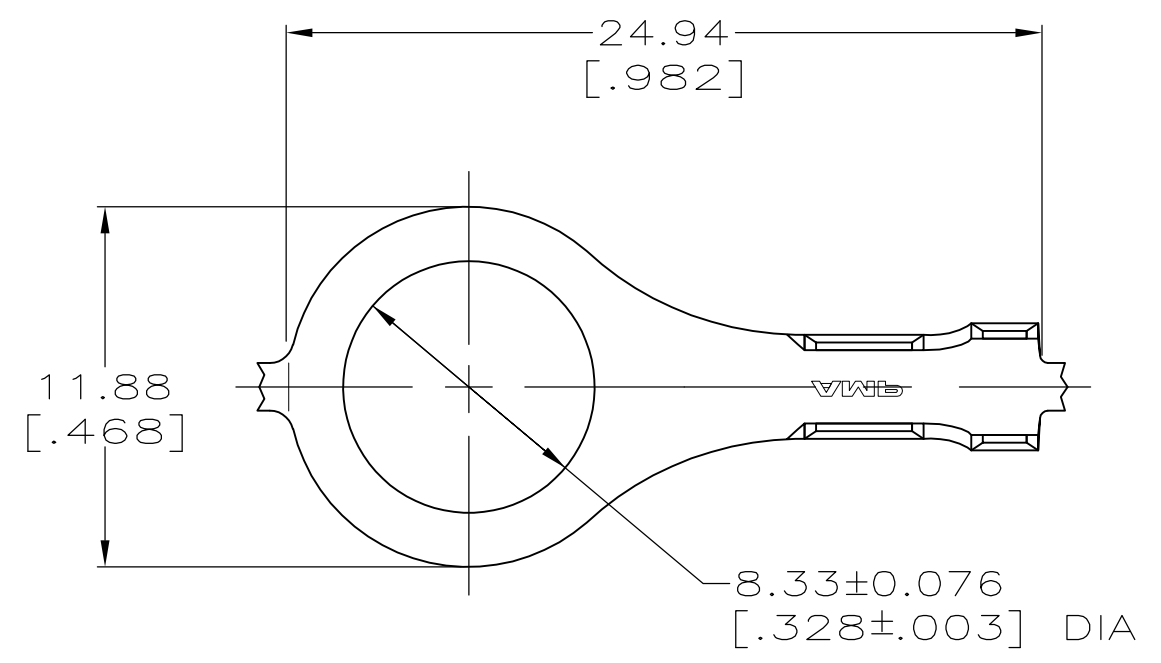
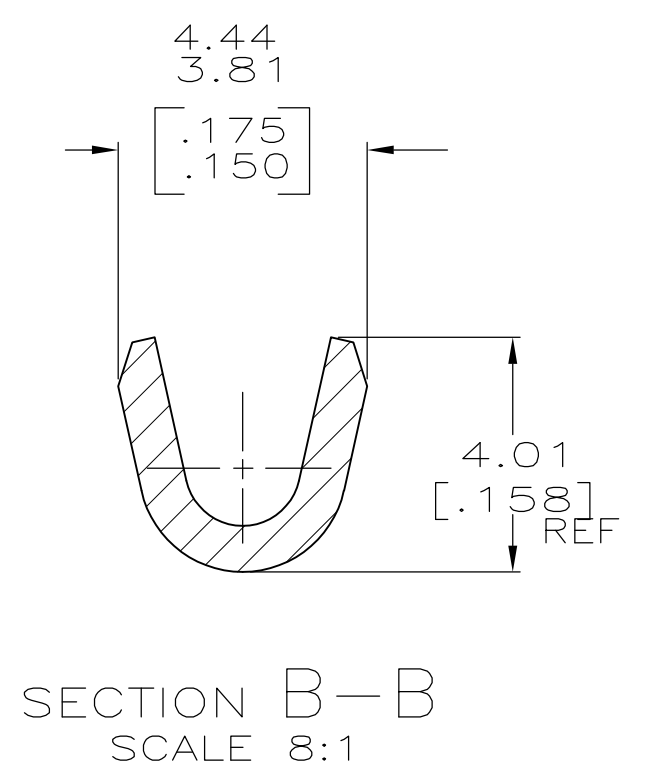
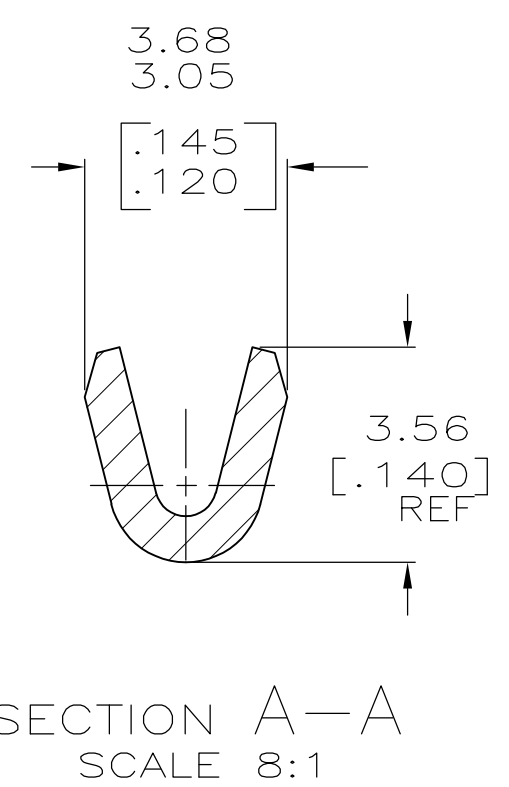
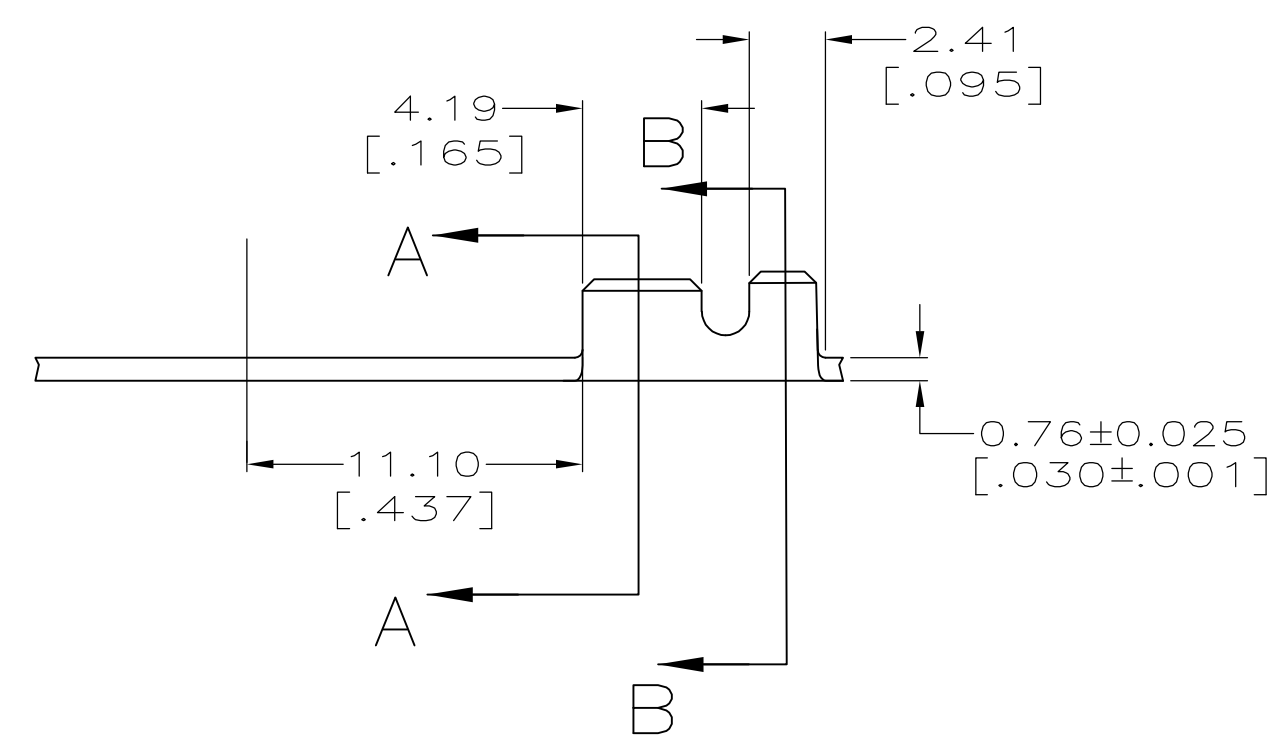


THIS DRAWING IS UNPUBLISHED. RELEASED FOR PUBLICATION
 © COPYRIGHT BY TYCO ELECTRONICS CORPORATION. ALL INTERNATIONAL RIGHTS RESERVED.

| LOC | DIST | REVISIONS | | | |
|-----|------|-------------|---------------------------|---------|--------|
| P | LTR | DESCRIPTION | DATE | DWN | APVD |
| AF | 50 | J1 | REVISED PER ECR-10-015031 | 29JUL10 | HMR PD |



- CONTINUOUS STRIP ON REELS AT A FEED OF 27.68±0.13 [.1 .090±.005].
- WIRE RANGE IS 22-18 AWG.
- INSULATION RANGE is 1.78-2.54 [.070-.100] DIA



41013
PART NO.

| | | | | | | | |
|---|--|-----------------------|---|-----------|-----------------|--------------------|---------------|
| THIS DRAWING IS A CONTROLLED DOCUMENT. | | DWN JR RUTH 10/5/98 | Tyco Electronics Corporation Harrisburg, PA 17105-3608 | | | | |
| DIMENSIONS: mm [INCHES] | | CHK MS FEHER 10/5/98 | | | | | |
| TOLERANCES UNLESS OTHERWISE SPECIFIED: | | APVD J DUNCAN 10/5/98 | NAME | | | | |
| 0 PLC ± - 1 PLC ± - 2 PLC ± 0.38 [.015] 3 PLC ± - 4 PLC ± - ANGLES ± - | | PRODUCT SPEC | TERMINAL, RING | | | | |
| MATERIAL 082 BRASS | | FINISH TIN | APPLICATION SPEC | SIZE A3 | CAGE CODE 00779 | DRAWING NO C-41013 | RESTRICTED TO |
| CUSTOMER DRAWING | | | WEIGHT - | SCALE 4:1 | SHEET 1 OF 1 | REV J1 | |

X-ON Electronics

Largest Supplier of Electrical and Electronic Components

Click to view similar products for [Terminals](#) category:

Click to view products by [TE Connectivity](#) manufacturer:

Other Similar products are found below :

[00-054007-01074-6](#) [00-054007-70206-1](#) [00-054007-70210-8](#) [00-054007-70217-7](#) [00-054007-70226-9](#) [00-054007-70228-3](#) [00-054007-70248-1](#) [00-054007-70256-6](#) [00-054007-70301-3](#) [00-054007-70316-7](#) [00-054007-49560-4](#) [00-054007-70209-2](#) [00-054007-70225-2](#) [00-054007-70227-6](#) [00-054007-70231-3](#) [00-054007-70241-2](#) [00-054007-70242-9](#) [00-054007-70244-3](#) [00-054007-70246-7](#) [00-054007-70263-4](#) [00-054007-70288-7](#) [00-054007-70290-0](#) [00-054007-70300-6](#) [00-054007-70304-4](#) [01-2065-1-0216](#) [01-2900-1-04412](#) [00581P0075](#) [600TS-10](#) [60205-1](#) [604200-1](#) [605601-1](#) [60598-1-CUT-TAPE](#) [61314-6-C](#) [61810-3](#) [61-S](#) [61-SN](#) [626-0194](#) [62-NBM-A](#) [62-SN](#) [62-SP](#) [63-S](#) [640179-1](#) [M55155/059I03](#) [M55155/079C01](#) [M55155/099H02](#) [M55155/109H01](#) [M55155/109H02](#) [M55155/12XH05](#) [M55155/16XH02](#) [M55155/29-5S](#)