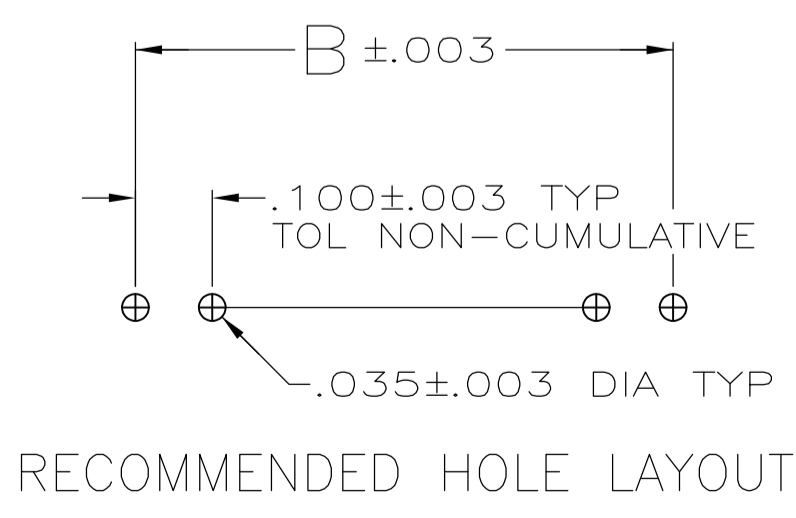


- TRUE POSITION TOLERANCE OF THE POST TIPS APPLIES WHEN THE HEADERS ARE HELD FLAT AGAINST THE PRINTED CIRCUIT BOARD
- ASSEMBLY MAY BE BROKEN TO THE DESIRED NUMBER OF POSITIONS
- PACKAGE IN SINGLE TUBES
- .000100-.000200 MATTE TIN-LEAD OVER .000050 NICKEL.
- .000100-.000200 BRIGHT TIN OVER .000050 NICKEL.
- PRELIMINARY PART - NOT RELEASED FOR PRODUCTION.
- HOUSING MATERIAL: FLAME RETARDANT THERMOPLASTIC; COLOR-BLACK.
- OBSOLETE PARTS: OBSOLETE CIS STREAMLINING PER D.RENAUD/D.SINISI



PLATING	REMARKS	C	B	A	NO OF POSN	PART NUMBER
OBSOLETE		.484	.400	4	5	5-103321-3
		1.384	1.300	13	14	5-103321-2
		1.184	1.100	11	12	5-103321-1
		1.084	1.000	10	11	5-103321-0
		.884	.800	8	9	4-103321-9
		3.984	3.900	39	40	4-103321-8
		1.584	1.500	15	16	4-103321-7
		.784	.700	7	8	4-103321-6
		.284	.200	2	3	4-103321-5
		.184	.100	1	2	4-103321-4
		.084	-	-	1	4-103321-3
SUPERSEDED BY 1-103321-4		1.384	1.300	13	14	4-103321-2
SUPERSEDED BY 103321-3		.284	.200	2	3	4-103321-1
		3.984	3.900	39	40	4-103321-0
		3.884	3.800	38	39	3-103321-9
		3.784	3.700	37	38	3-103321-8
		3.684	3.600	36	37	3-103321-7
		3.584	3.500	35	36	3-103321-6
		3.484	3.400	34	35	3-103321-5
		3.384	3.300	33	34	3-103321-4
		3.284	3.200	32	33	3-103321-3
		3.184	3.100	31	32	3-103321-2
		3.084	3.000	30	31	3-103321-1
		2.984	2.900	29	30	3-103321-0
		2.884	2.800	28	29	2-103321-9
		2.784	2.700	27	28	2-103321-8
		2.684	2.600	26	27	2-103321-7
		2.584	2.500	25	26	2-103321-6
		2.484	2.400	24	25	2-103321-5
		2.384	2.300	23	24	2-103321-4
		2.284	2.200	22	23	2-103321-3
		2.184	2.100	21	22	2-103321-2
		2.084	2.000	20	21	2-103321-1
SUPERSEDED BY 7-146274-0		1.984	1.900	19	20	2-103321-0
		1.884	1.800	18	19	1-103321-9
		1.784	1.700	17	18	1-103321-8
		1.684	1.600	16	17	1-103321-7
		1.584	1.500	15	16	1-103321-6
		1.484	1.400	14	15	1-103321-5
		1.384	1.300	13	14	1-103321-4
		1.284	1.200	12	13	1-103321-3
		1.184	1.100	11	12	1-103321-2
		1.084	1.000	10	11	1-103321-1
		.984	.900	9	10	1-103321-0
		.884	.800	8	9	103321-9
		.784	.700	7	8	103321-8
		.684	.600	6	7	103321-7
		.584	.500	5	6	103321-6
		.484	.400	4	5	103321-5
		.384	.300	3	4	103321-4
		.284	.200	2	3	103321-3
		.184	.100	1	2	103321-2
		.084	-	-	1	103321-1

THIS DRAWING IS A CONTROLLED DOCUMENT.

DIMENSIONS: INCHES	TOLERANCES UNLESS OTHERWISE SPECIFIED:	DIN 150CT92	J. MARTINELLI
0. PLC ± -	1. PLC ± -	23NOV92	JOHN KNITTLE
2. PLC ± -	3. PLC ± .005	23NOV92	B. FLINCHBAUGH
3. PLC ± -	4. PLC ± -		
4. PLC ± -	ANGLES ± -		

MATERIAL: POST: COPPER ALLOY FINISH: SEE TABLE WEIGHT: - SIZE: A1 CAGE CODE: DRAWING NO: 00779 DRAWING NO: 103321

CUSTOMER DRAWING SCALE: 4:1 SHEET 1 OF 1 REV R

X-ON Electronics

Largest Supplier of Electrical and Electronic Components

Click to view similar products for te connectivity manufacturer:

Other Similar products are found below :

[570416-000](#) [CLTEQ-M81CE-SSRELAY-4-20V](#) [D38999/24FJ4AN](#) [358838-000](#) [4-1195131-0](#) [650069-000](#) [SMD100-2](#) [CB-1022B-78](#)
[RM707012](#) [RP410012](#) [MMS42](#) [1-640426-8](#) [2EDL4CM](#) [DTS20W19-11PD-3028-LC](#) [RM202615](#) [NC6-P104-06](#) [MSPS103B](#) [DTS26F21-41AE](#) [DTS26F21-41PE-LC](#) [DTS26F21-11SE-3028-LC](#) [1932144-1](#) [293545-4](#) [LVR125S](#) [MS27466T25F4PB](#) [CKB-38-78010](#)
[1206SFF150F/63-2](#) [D38999/20JB35HA](#) [D38999/24WJ20PA](#) [1754138-1](#) [TE1500A2R2J](#) [DTS24F25-29PC-3028-LC](#) [D38999/24WG11HA](#)
[D38999/24WG11HN](#) [MS27467T21F11H](#) [DJT16E21-11HA](#) [1206SFH150F/24-2](#) [DTS24F19-11SC-3028-LC](#) [DTS24F21-41HN-LC](#)
[DTS24F21-41AN](#) [DTS24F21-41PN-LC](#) [MS27467T21F35J](#) [MS27467T21F11J](#) [MS27467T21F16H-LC](#) [MS27467T21F35H](#)
[MS27467T21F41H-LC](#) [DJT16E21-11PA-LC](#) [DJT16E21-11HA-LC](#) [DJT16E21-11AA](#) [MS27467T21B11JA](#) [DJT16E21-11JA](#)