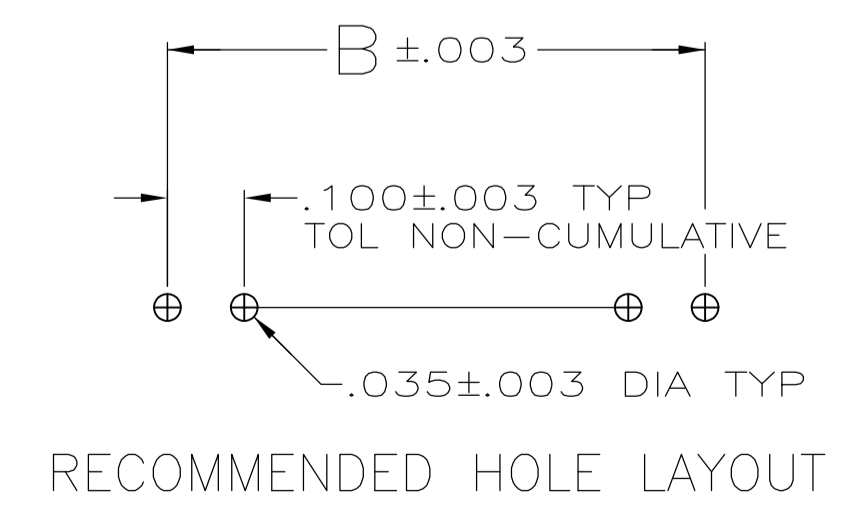


- 1 TRUE POSITION TOLERANCE OF THE POST TIPS APPLIES WHEN THE HEADERS ARE HELD FLAT AGAINST THE PRINTED CIRCUIT BOARD
- 2 ASSEMBLY MAY BE BROKEN TO THE DESIRED NUMBER OF POSITIONS
- 3 PACKAGE IN SINGLE TUBES
- 4 .000100-.000200 MATTE TIN-LEAD OVER .000050 NICKEL.
- 5 .000100-.000200 BRIGHT TIN OVER .000050 NICKEL.
- 6 PRELIMINARY PART - NOT RELEASED FOR PRODUCTION.
- 7 HOUSING MATERIAL: FLAME RETARDANT THERMOPLASTIC; COLOR-BLACK.
- 8 OBSOLETE PARTS: OBSOLETE CIS STREAMLINING PER D.RENAUD/D.SINISI



REV	DATE	BY	APPV	C	B	A	NO OF POSN	PART NUMBER
5				.484	.400	4	5	5-103321-3
5		6		1.384	1.300	13	14	5-103321-2
5		6		1.184	1.100	11	12	5-103321-1
5		6		1.084	1.000	10	11	5-103321-0
5		6		.884	.800	8	9	4-103321-9
5				3.984	3.900	39	40	4-103321-8
5				1.584	1.500	15	16	4-103321-7
5				.784	.700	7	8	4-103321-6
5				.284	.200	2	3	4-103321-5
5				.184	.100	1	2	4-103321-4
5		6		.084	-	-	1	4-103321-3
SUPERSEDED BY 1-103321-4				1.384	1.300	13	14	4-103321-2
SUPERSEDED BY 103321-3				.284	.200	2	3	4-103321-1
4				3.984	3.900	39	40	4-103321-0
4				3.884	3.800	38	39	3-103321-9
4				3.784	3.700	37	38	3-103321-8
4				3.684	3.600	36	37	3-103321-7
4				3.584	3.500	35	36	3-103321-6
4				3.484	3.400	34	35	3-103321-5
4				3.384	3.300	33	34	3-103321-4
4				3.284	3.200	32	33	3-103321-3
4				3.184	3.100	31	32	3-103321-2
4				3.084	3.000	30	31	3-103321-1
4				2.984	2.900	29	30	3-103321-0
4				2.884	2.800	28	29	2-103321-9
4				2.784	2.700	27	28	2-103321-8
4				2.684	2.600	26	27	2-103321-7
4				2.584	2.500	25	26	2-103321-6
4				2.484	2.400	24	25	2-103321-5
4				2.384	2.300	23	24	2-103321-4
4				2.284	2.200	22	23	2-103321-3
4				2.184	2.100	21	22	2-103321-2
4				2.084	2.000	20	21	2-103321-1
SUPERSEDED BY 7-146274-0				1.984	1.900	19	20	2-103321-0
4				1.884	1.800	18	19	1-103321-9
4				1.784	1.700	17	18	1-103321-8
4				1.684	1.600	16	17	1-103321-7
4				1.584	1.500	15	16	1-103321-6
4				1.484	1.400	14	15	1-103321-5
4				1.384	1.300	13	14	1-103321-4
4				1.284	1.200	12	13	1-103321-3
4				1.184	1.100	11	12	1-103321-2
4				1.084	1.000	10	11	1-103321-1
4				.984	.900	9	10	1-103321-0
4				.884	.800	8	9	103321-9
4				.784	.700	7	8	103321-8
4				.684	.600	6	7	103321-7
4				.584	.500	5	6	103321-6
4				.484	.400	4	5	103321-5
4				.384	.300	3	4	103321-4
4				.284	.200	2	3	103321-3
4				.184	.100	1	2	103321-2
4				.084	-	-	1	103321-1

THIS DRAWING IS A CONTROLLED DOCUMENT.

DIMENSIONS: INCHES	TOLERANCES UNLESS OTHERWISE SPECIFIED:	DIN J. MARTINELLI 15OCT92	APPROVED BY B. FLINCHBAUGH 23NOV92	NAME
0. PLC ± -	1. PLC ± -	2. PLC ± -	3. PLC ± .005	4. PLC ANGLES ± -
MATERIAL: POST: COPPER ALLOY	FINISH: SEE TABLE	WEIGHT: -	SIZE: A1	CAGE CODE: 00779
DRAWING NO: 103321		CUSTOMER DRAWING		

STE TE Connectivity

ASSEMBLY, HEADER, BREAKAWAY, MOD II, SINGLE ROW, .100 C/L, VERTICAL, WITH .025 SQUARE POSTS

SCALE: 4:1 SHEET 1 OF 1 REV R

X-ON Electronics

Largest Supplier of Electrical and Electronic Components

Click to view similar products for [Headers & Wire Housings](#) category:

Click to view products by [TE Connectivity](#) manufacturer:

Other Similar products are found below :

[892-18-020-10-001101](#) [58102-G61-06LF](#) [582553-1](#) [0009485154](#) [009176003701906](#) [0050291907](#) [LY20-4P-DT1-P1E-BR](#) [02.125.8002.8](#)
[609-3404](#) [61062-3](#) [61082-181009](#) [622-3653LF](#) [63453-116](#) [636-1030](#) [636-1427](#) [636-3427](#) [636-4007](#) [641938-9](#) [641991-4](#) [644827-2](#) [65817-010LF](#) [65817-015LF](#) [65863-015LF](#) [66207-023LF](#) [67095-007LF](#) [67601157](#) [68645-018](#) [68648-049](#) [70.362.1628.0](#) [70-4210](#) [70-4226B](#) [70-4853B](#) [707-5020](#) [707-5028](#) [71.350.2428.0](#) [71918-208LF](#) [71961-016LF](#) [733-134](#) [733-162](#) [754199-000](#) [760-3052](#) [787-8014-00](#) [79531-3000](#)
[FCN-360C032-B](#) [FCN-367T-T012/H](#) [FCN-723D010/2](#) [80.063.4001.1](#) [800-90-001-10-001000](#) [800-90-010-10-002000](#) [801-43-002-10-013000](#)