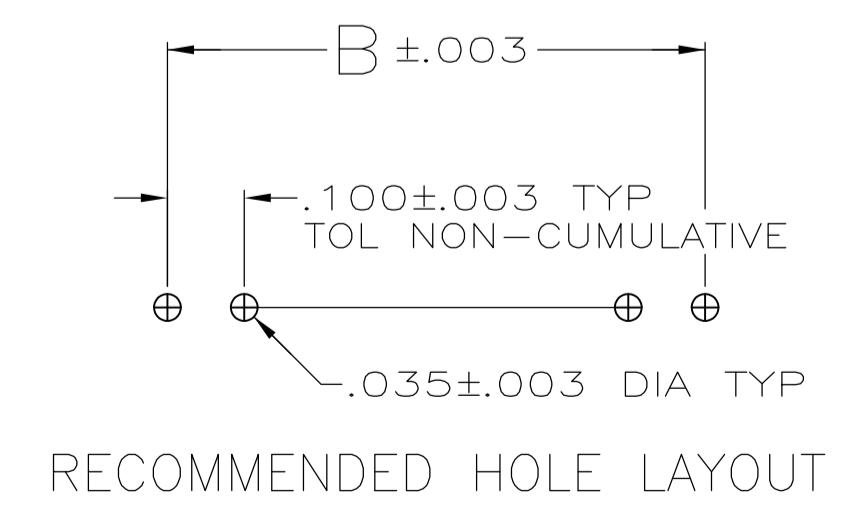


- 1 TRUE POSITION TOLERANCE OF THE POST TIPS APPLIES WHEN THE HEADERS ARE HELD FLAT AGAINST THE PRINTED CIRCUIT BOARD
- 2 ASSEMBLY MAY BE BROKEN TO THE DESIRED NUMBER OF POSITIONS
- 3 PACKAGE IN SINGLE TUBES
- 4 .000100-.000200 MATTE TIN-LEAD OVER .000050 NICKEL.
- 5 .000100-.000200 BRIGHT TIN OVER .000050 NICKEL.
- 6 PRELIMINARY PART - NOT RELEASED FOR PRODUCTION.
- 7 HOUSING MATERIAL: FLAME RETARDANT THERMOPLASTIC; COLOR-BLACK.
- 8 OBSOLETE PARTS: OBSOLETE CIS STREAMLINING PER D.RENAUD/D.SINISI



PLATING	REMARKS	C	B	A	NO OF POSN	PART NUMBER
	OBSOLETE	5			4	5-103321-3
		5	6		13	5-103321-2
		5	6		11	5-103321-1
		5	6		10	5-103321-0
		5	6		8	4-103321-9
		5			39	4-103321-8
		5			40	4-103321-7
		5			15	4-103321-6
		5			7	4-103321-5
		5			2	4-103321-4
		5			3	4-103321-3
		5	6		1	4-103321-2
	SUPERSEDED BY 1-103321-4	3	3		13	4-103321-1
	SUPERSEDED BY 103321-3	3	3		2	4-103321-0
		4			39	4-103321-0
		4			38	3-103321-9
		4			37	3-103321-8
		4			36	3-103321-7
		4			35	3-103321-6
		4			34	3-103321-5
		4			33	3-103321-4
		4			32	3-103321-3
		4			31	3-103321-2
		4			30	3-103321-1
		4			29	3-103321-0
		4			28	2-103321-9
		4			27	2-103321-8
		4			26	2-103321-7
		4			25	2-103321-6
		4			24	2-103321-5
		4			23	2-103321-4
		4			22	2-103321-3
		4			21	2-103321-2
		4			20	2-103321-1
	SUPERSEDED BY 7-146274-0	4			19	2-103321-0
		4			18	1-103321-9
		4			17	1-103321-8
		4			16	1-103321-7
		4			15	1-103321-6
		4			14	1-103321-5
		4			13	1-103321-4
		4			12	1-103321-3
		4			11	1-103321-2
		4			10	1-103321-1
		4			9	1-103321-0
		4			8	103321-9
		4			7	103321-8
		4			6	103321-7
		4			5	103321-6
		4			4	103321-5
		4			3	103321-4
		4			2	103321-3
		4			1	103321-2
		4			1	103321-1

THIS DRAWING IS A CONTROLLED DOCUMENT.

DIMENSIONS: INCHES	TOLERANCES UNLESS OTHERWISE SPECIFIED:	DIN J. MARTINELLI 15OCT92	APVD B. FLINCHBAUGH 23NOV92	NAME
0. PLC ± -	1. PLC ± -	2. PLC ± -	3. PLC ± .005	4. PLC ± -
ANGLES ± -				
MATERIAL: POST: COPPER ALLOY	FINISH: SEE TABLE	WEIGHT: -	SIZE: A1	CAGE CODE: 00779
			DRAWING NO: 103321	RESTRICTED TO: -
			CUSTOMER DRAWING	SCALE: 4:1 SHEET 1 OF 1 REV R

STE TE Connectivity

ASSEMBLY, HEADER, BREAKAWAY, MOD II, SINGLE ROW, .100 C/L, VERTICAL, WITH .025 SQUARE POSTS

## X-ON Electronics

Largest Supplier of Electrical and Electronic Components

*Click to view similar products for [Headers & Wire Housings](#) category:*

*Click to view products by [TE Connectivity](#) manufacturer:*

Other Similar products are found below :

[892-18-020-10-001101](#) [58102-G61-06LF](#) [582553-1](#) [0009485154](#) [009176003701906](#) [0050291907](#) [LY20-4P-DT1-P1E-BR](#) [02.125.8002.8](#)  
[609-3404](#) [61062-3](#) [61082-181009](#) [622-3653LF](#) [63453-116](#) [636-1030](#) [636-1427](#) [636-3427](#) [636-4007](#) [641938-9](#) [641991-4](#) [644827-2](#) [65817-010LF](#) [65817-015LF](#) [65863-015LF](#) [66207-023LF](#) [67095-007LF](#) [67601157](#) [68645-018](#) [68648-049](#) [70.362.1628.0](#) [70-4210](#) [70-4226B](#) [70-4853B](#) [707-5020](#) [707-5028](#) [71.350.2428.0](#) [71918-208LF](#) [71961-016LF](#) [733-134](#) [733-162](#) [754199-000](#) [760-3052](#) [787-8014-00](#) [79531-3000](#)  
[FCN-360C032-B](#) [FCN-367T-T012/H](#) [FCN-723D010/2](#) [80.063.4001.1](#) [800-90-001-10-001000](#) [800-90-010-10-002000](#) [801-43-002-10-013000](#)