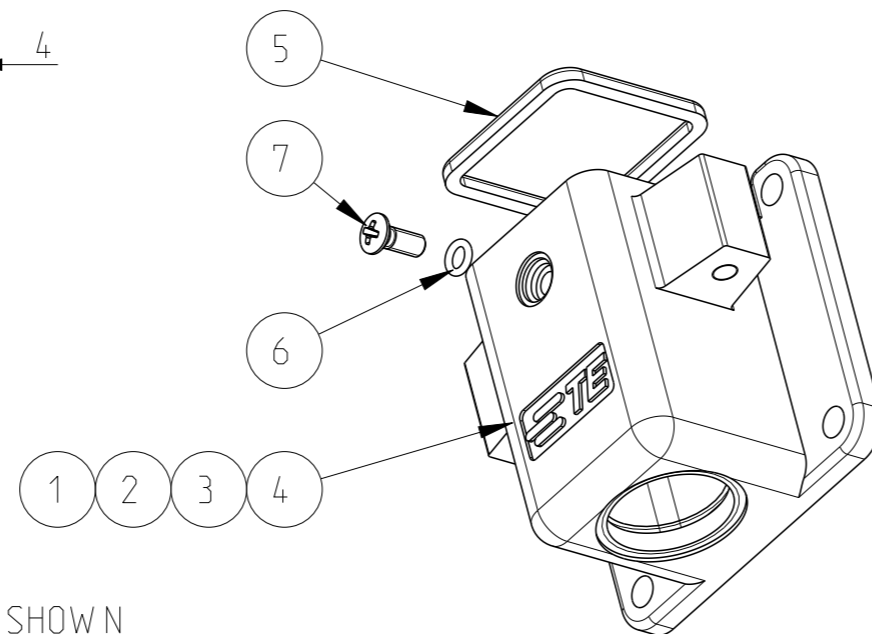
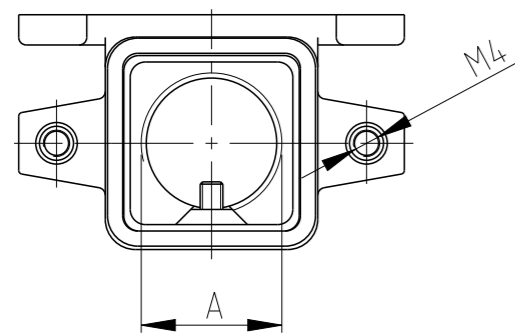
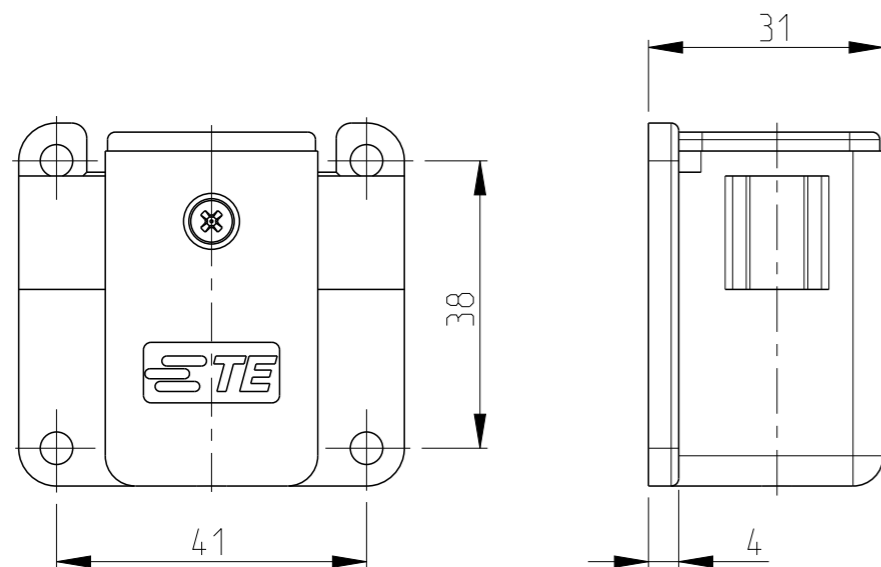


P	LTR	DESCRIPTION	DATE	DWN	APVD
	C1	ECR-20-004642	13OCT2020	RK	SBH



PN 3-5 AS SHOWN


Notes

- 1 SUITABLE HOUSINGS: SERIES EMV, SIZE 1  
CUSTOMER DRAWING 1102700, 1106402, 1106200
- 2 STANDARDS:  
DIN EN 61984, DIN EN 60664-1
- 3 SUR TEC 650 CHROMIT AL TCP PASSIVATION
- 4 PN 0-3 AND 0-1 WITHOUT PROFILE SEAL
- 5 TOOL:  
PHILLIPS SCREWDRIVER PH1.
- 6 VARNISH ON INSIDE AREA NOT NECESSARY
- 7 PACKAGING:  
10 SETS IN A CARTON.

	0-1102701-1	EMV-K.3/4.SG.1.13.G
OBSOLETE	<del>0-1102701-3</del>	<del>EMV-K.3/4.SG.1.11.G-S0</del>
	4-1102701-5	EMV-K.3/4.SG.1.11.G
OBSOLETE	<del>3-1102701-5</del>	<del>EMV.3/4.SG.1.11.G</del>
	PART NO.	ORDERING TEXT

QTY	PN	QTY	PN	DESCRIPTION	"A"	MATERIAL	COLOR/SURFACE	NOTE	ITEM
1	1	1	1	SCREW COUNTERSUNK RAISED HEAD		STAINL. STEEL V2A	-	M3x8 PH1 DIN EN ISO 7047	7
1	1	1	1	O - RING		NBR	BLACK	3.0x1.0	6
-	-	1	1	PROFILE SEAL		FKM	BLACK	SERIES EMV / HIP	5
1	-	-	-	ANGLED BULKHEAD HOUSING	PG13	ALU	BLACK SEE NOTE 3	SERIES EMV-K	4
-	1	1	-	ANGLED BULKHEAD HOUSING	PG11	ALU	BLACK SEE NOTE 3	SERIES EMV-K	2
-	-	-	1	ANGLED BULKHEAD HOUSING	PG11	ALU	GREY	SERIES EMV	1
0-1	0-3	4-5	3-5						
PN/QTY				DESCRIPTION	"A"	MATERIAL	COLOR/SURFACE	NOTE	ITEM

PARTS LIST (PER ONE UNIT)

THIS DRAWING IS A CONTROLLED DOCUMENT.		DWN V.GLUMM 26AUG2009	 TE Connectivity NAME ANGLD BULKHEAD HOUSING ASS'Y SIDE ENTRY, SERIES EMV, SIZE 1
DIMENSIONS: mm		CHK H.Braun 26AUG2009	
TOLERANCES UNLESS OTHERWISE SPECIFIED:		APVD T.Schnurpfeil 26AUG2009	
0 PLC ± 1 PLC ± 2 PLC ± 3 PLC ± 4 PLC ± ANGLES ±1°		PRODUCT SPEC	
MATERIAL		FINISH	APPLICATION SPEC
			WEIGHT
			SIZE A3
			CAGE CODE 00779
			DRAWING NO C-1102701
			RESTRICTED TO
			SCALE 1:1
			SHEET 1 OF 1
			REV C1

## X-ON Electronics

Largest Supplier of Electrical and Electronic Components

*Click to view similar products for [Heavy Duty Power Connectors](#) category:*

*Click to view products by [TE Connectivity](#) manufacturer:*

Other Similar products are found below :

[647757-1](#) [6643411-1](#) [6646058-2](#) [6646137-1](#) [6646138-1](#) [6646479-1](#) [6646608-1](#) [6646786-1](#) [6646940-1](#) [6651091-1](#) [6651525-1](#) [6651529-1](#)  
[6651788-1](#) [696475-1](#) [702-32-01109](#) [703-25-02205](#) [73000005059](#) [73000005642](#) [73080255059](#) [73080965046](#) [765-15-0080A](#) [765-16-0080B](#)  
[765-18-0080D](#) [829992-1](#) [902-77-02113](#) [PS00/A0620/6300](#) [PS25/A0420/63](#) [129-1J](#) [1409400](#) [AN0024023](#) [E6374G1](#) [e6389g2](#) [157-43GW8](#)  
[MS3117-14AC](#) [1643543-1](#) [1650540-1](#) [1651811-2](#) [1766260-1](#) [1766282-1](#) [1766966-1](#) [1791340000](#) [NLDFT-3-BL-L-S120-M40A](#) [NLDFT-N-](#)  
[W-L-C240-M40B](#) [NLS-2-R-C240-M40B](#) [NLS-N-W-C240-M40B](#) [NPS-3-BL-T6](#) [1986615-1](#) [2-1589900-8](#) [2199314-1](#) [KA8102](#)