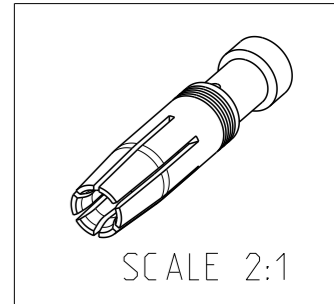
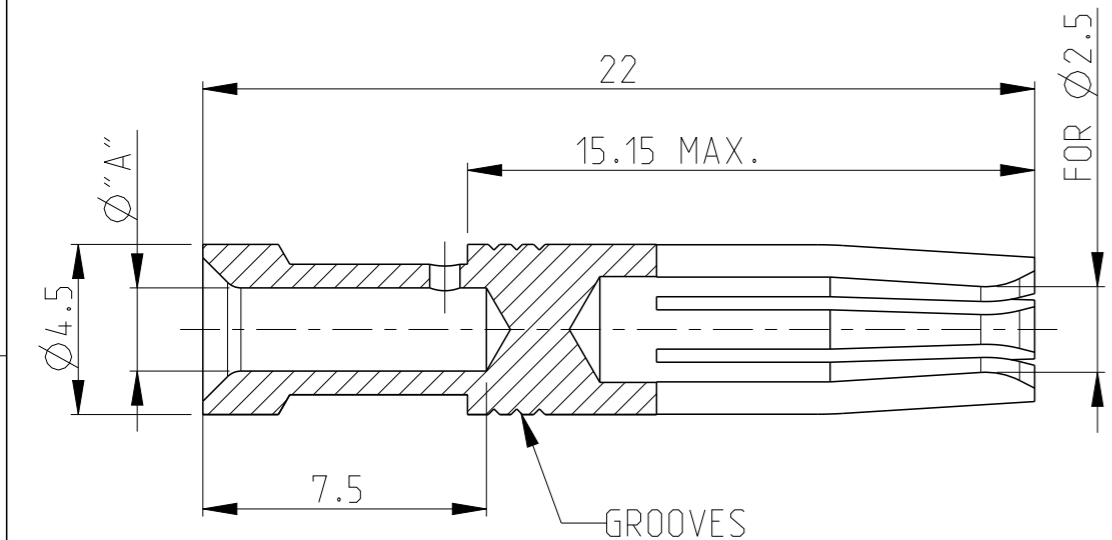


THIS DRAWING IS UNPUBLISHED. RELEASED FOR PUBLICATION 2006
 © COPYRIGHT 2006 BY - ALL RIGHTS RESERVED.

| LOC | DIST | REVISIONS | | | | | |
|-----|------|-----------|-----|---------------|-----------|-----|------|
| A1 | - | P | LTR | DESCRIPTION | DATE | DWN | APVD |
| | | | J5 | ECR-15-003938 | 26MAR2015 | RK | MKO |
| | | | J6 | ECR-16-016696 | 15SEP2017 | GA | MKO |
| | | | J7 | ECR-16-016780 | 15NOV2017 | GR | MKO |
| | | | J8 | ECR-17-014011 | 28MAR2018 | SG | MKO |


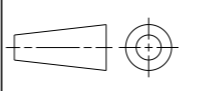


Notes

- 1 MATERIAL: BRASS
- 2 FINISH SILVER PLATING: 2 µm Ag MIN. OVER Cu
- 3 FINISH GOLD PLATING: 0.75 µm Au MIN. OVER Ni
- 4 FINISH TIN PLATING: 0.6 µm Sn. MIN. OVER Cu
- 5 VENTILATION HOLE PRESENT ON ALL PARTS
- 6 WEIGHT: 0.00160 kg, PER PIECE (APPROX.)
- 7 PACKAGING: 50 PIECES IN POLYBAG
- 8 PACKAGING: 500 PIECES IN POLYBAG & CARTON
- 9 PACKAGING: 20000 PIECES IN POLYBAGS & CARTONS
- 10 SUITABLE PIN CONTACT: PN 1105100
- 11 SUITABLE INSERTS: SERIES HA, HE, HVE, HVS
- 12 SUITABLE CRIMP TOOL: PN 1-1105851-8
- 13 SUITABLE INSERTION TOOL: PN 0-1102855-6
- 14 SUITABLE EXTRACTION TOOL: PN 0-1102855-7
- 15 STANDARDS: DIN EN 61984, DIN EN 60664-1
- 16 OBSOLETE

| | | 7 | 8 | 9 | | | |
|--|----------|--------------------|------|---------------|-------------------|-------------------|------------|
| HE/HA-C-Bu.Sn 4,0mm ² | TIN 4 | 4.0 | 2.8 | - | - | 5-0 16 | 5-3 |
| HE/HA-C-Bu.Sn 2,5mm ² | | 2.5 | 2.2 | 3 | - | 4-0 | 4-3 |
| HE/HA-C-Bu.Sn 1,5mm ² | | 1.5 | 1.7 | 2 | - | 3-0 | 3-3 |
| HE/HA-C-Bu.Au 4,0mm ² | GOLD 3 | 4.0 | 2.8 | - | 5-2 | 5-9 16 | - |
| HE/HA-C-Bu.Au 2,5mm ² | | 2.5 | 2.2 | 3 | 4-2 | 4-9 16 | - |
| HE/HA-C-Bu.Au 1,5mm ² | | 1.5 | 1.7 | 2 | 3-2 | 3-9 16 | - |
| HE/HA-C-Bu.Au 0,75-1,0mm ² | | 0.75-1.0 | 1.4 | 1 | 2-2 | 2-9 16 | - |
| HE/HA-C-Bu.Au 0,5mm ² | | 0.5 | 1.1 | - | 1-2 | 1-9 16 | - |
| HE/HA-C-Bu.Au 0,14-0,37mm ² | | 0.14-0.37 | 0.9 | 3 | 6-2 | 6-9 16 | - |
| HE/HA-C-Bu.Ag 4,0mm ² | SILVER 2 | 4.0 | 2.8 | - | 5-1 | 5-8 16 | - |
| HE/HA-C-Bu.Ag 2,5mm ² | | 2.5 | 2.2 | 3 | 4-1 | 4-8 16 | - |
| HE/HA-C-Bu.Ag 1,5mm ² | | 1.5 | 1.7 | 2 | 3-1 | 3-8 16 | - |
| HE/HA-C-Bu.Ag 0,75-1,0mm ² | | 0.75-1.0 | 1.4 | 1 | 2-1 | 2-8 16 | - |
| HE/HA-C-Bu.Ag 0,5mm ² | | 0.5 | 1.1 | - | 1-1 | 1-8 16 | - |
| HE/HA-C-Bu.Ag 0,14-0,37mm ² | | 0.14-0.37 | 0.9 | 3 | 6-1 16 | 6-8 16 | - |
| | | [MM ²] | "A" | NO.OF GROOVES | P.U.=50 | P.U.=500 | P.U.=20000 |
| ORDERING TEXT | PLATING | CROSS SECTION | DIMS | MARKINGS | BAG | BOX | BOX |

PARTS LIST

| | | | | |
|---|--|------------------------------|---|-----------------|
| THIS DRAWING IS A CONTROLLED DOCUMENT. | | DWN G.WROBLEWSKI 20SEP2007 |  TE Connectivity | |
| DIMENSIONS: mm | | CHK H.BRAUN 20SEP2007 | | |
| TOLERANCES UNLESS OTHERWISE SPECIFIED: ISO 8075, DIN ISO 2768 mH-E, DIN 16901-120 | | APVD T. SCHNURPFIL 20SEP2007 | NAME | |
|  | | PRODUCT SPEC 108-74004 | SOCKET CONTACT SERIES HA, HE, HVE | |
| MATERIAL 1 | | APPLICATION SPEC 114-74003 | SIZE A3 | CAGE CODE 00779 |
| FINISH 2 3 4 | | WEIGHT - | DRAWING NO C=1105101 | RESTRICTED TO - |
| Customer Drawing | | | SCALE 5:1 | SHEET 1 OF 1 |
| | | | REV J8 | |

X-ON Electronics

Largest Supplier of Electrical and Electronic Components

Click to view similar products for [Heavy Duty Power Connectors](#) category:

Click to view products by [TE Connectivity](#) manufacturer:

Other Similar products are found below :

[647757-1](#) [6643411-1](#) [6646058-2](#) [6646137-1](#) [6646138-1](#) [6646479-1](#) [6646608-1](#) [6646786-1](#) [6646940-1](#) [6651091-1](#) [6651525-1](#) [6651529-1](#)
[6651788-1](#) [696475-1](#) [702-32-01109](#) [703-25-02205](#) [73000005059](#) [73000005642](#) [73080255059](#) [73080965046](#) [765-15-0080A](#) [765-16-0080B](#)
[765-18-0080D](#) [829992-1](#) [902-77-02113](#) [PS00/A0620/6300](#) [PS25/A0420/63](#) [129-1J](#) [1409400](#) [AN0024023](#) [E6374G1](#) [e6389g2](#) [157-43GW8](#)
[MS3117-14AC](#) [1643543-1](#) [1650540-1](#) [1651811-2](#) [1766260-1](#) [1766282-1](#) [1766966-1](#) [1791340000](#) [NLDFT-3-BL-L-S120-M40A](#) [NLDFT-N-](#)
[W-L-C240-M40B](#) [NLS-2-R-C240-M40B](#) [NLS-N-W-C240-M40B](#) [NPS-3-BL-T6](#) [1986615-1](#) [2-1589900-8](#) [2199314-1](#) [KA8102](#)