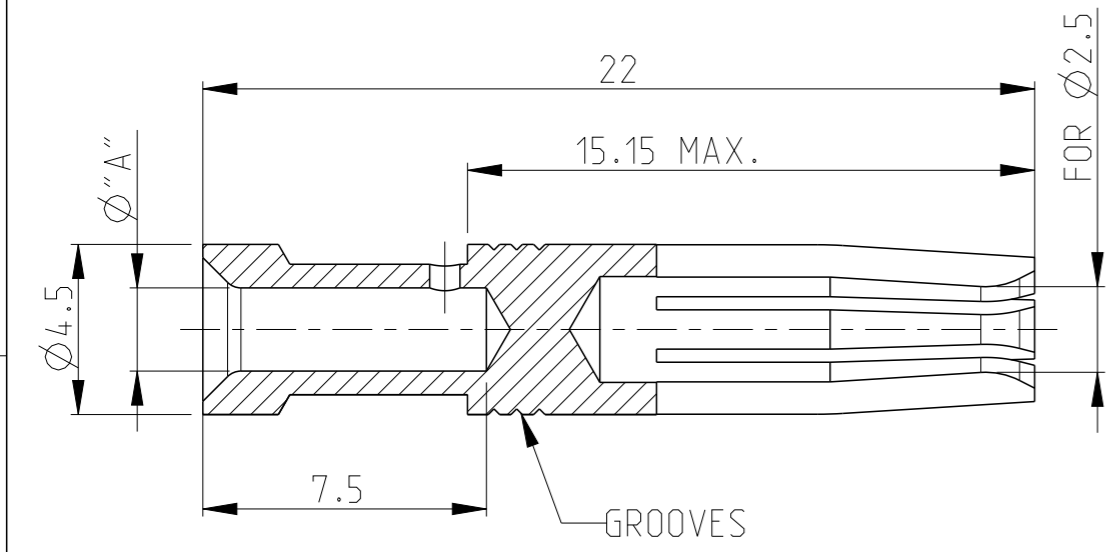


THIS DRAWING IS UNPUBLISHED. RELEASED FOR PUBLICATION 2006
 © COPYRIGHT 2006 BY - ALL RIGHTS RESERVED.

LOC	DIST	REVISIONS					
A1	-	P	LTR	DESCRIPTION	DATE	DWN	APVD
			J5	ECR-15-003938	26MAR2015	RK	MKO
			J6	ECR-16-016696	15SEP2017	GA	MKO
			J7	ECR-16-016780	15NOV2017	GR	MKO
			J8	ECR-17-014011	28MAR2018	SG	MKO



- Notes
- 1 MATERIAL: BRASS
 - 2 FINISH SILVER PLATING: 2 µm Ag MIN. OVER Cu
 - 3 FINISH GOLD PLATING: 0.75 µm Au MIN. OVER Ni
 - 4 FINISH TIN PLATING: 0.6 µm Sn. MIN. OVER Cu
 - 5 VENTILATION HOLE PRESENT ON ALL PARTS
 - 6 WEIGHT: 0.00160 kg, PER PIECE (APPROX.)
 - 7 PACKAGING: 50 PIECES IN POLYBAG
 - 8 PACKAGING: 500 PIECES IN POLYBAG & CARTON
 - 9 PACKAGING: 20000 PIECES IN POLYBAGS & CARTONS
 - 10 SUITABLE PIN CONTACT: PN 1105100
 - 11 SUITABLE INSERTS: SERIES HA, HE, HVE, HVS
 - 12 SUITABLE CRIMP TOOL: PN 1-1105851-8
 - 13 SUITABLE INSERTION TOOL: PN 0-1102855-6
 - 14 SUITABLE EXTRACTION TOOL: PN 0-1102855-7
 - 15 STANDARDS: DIN EN 61984, DIN EN 60664-1
 - 16 OBSOLETE

HE/HA-C-Bu.Sn	CROSS SECTION	DIMS	NO.OF GROOVES	P.U.=50	P.U.=500	P.U.=20000	
4,0mm ²	TIN 4	4.0 2.8	-	-	5-0 16	5-3	
2,5mm ²		2.5 2.2	3	-	4-0	4-3	
1,5mm ²		1.5 1.7	2	-	3-0	3-3	
HE/HA-C-Bu.Au 4,0mm ²	GOLD 3	4.0 2.8	-	5-2	5-9 16	-	
2,5mm ²		2.5 2.2	3	4-2	4-9 16	-	
1,5mm ²		1.5 1.7	2	3-2	3-9 16	-	
HE/HA-C-Bu.Au 0,75-1,0mm ²	SILVER 2	0.75-1.0 1.4	1	2-2	2-9 16	-	
0,5mm ²		0.5 1.1	-	1-2	1-9 16	-	
0,14-0,37mm ²		0.14-0.37 0.9	3	6-2	6-9 16	-	
HE/HA-C-Bu.Ag 4,0mm ²	SILVER 2	4.0 2.8	-	5-1	5-8 16	-	
2,5mm ²		2.5 2.2	3	4-1	4-8 16	-	
1,5mm ²		1.5 1.7	2	3-1	3-8 16	-	
HE/HA-C-Bu.Ag 0,75-1,0mm ²	SILVER 2	0.75-1.0 1.4	1	2-1	2-8 16	-	
0,5mm ²		0.5 1.1	-	1-1	1-8 16	-	
0,14-0,37mm ²		0.14-0.37 0.9	3	6-1 16	6-8 16	-	
		[MM ²]	"A"	NO.OF GROOVES	P.U.=50	P.U.=500	P.U.=20000
ORDERING TEXT	PLATING	CROSS SECTION	DIMS	MARKINGS	BAG	BOX	BOX

THIS DRAWING IS A CONTROLLED DOCUMENT.

DWN: G.WROBLEWSKI 20SEP2007
 CHK: H.BRAUN 20SEP2007
 APVD: T.SCHNURPFEL 20SEP2007

TE Connectivity

SOCKET CONTACT SERIES HA, HE, HVE

PRODUCT SPEC: 108-74004
 APPLICATION SPEC: 114-74003

SIZE: A3 CAGE CODE: 00779 DRAWING NO: C=1105101 RESTRICTED TO: -

Customer Drawing SCALE: 5:1 SHEET: 1 OF 1 REV: J8

X-ON Electronics

Largest Supplier of Electrical and Electronic Components

Click to view similar products for [Heavy Duty Power Connectors](#) category:

Click to view products by [TE Connectivity](#) manufacturer:

Other Similar products are found below :

[647757-1](#) [6643411-1](#) [6646058-2](#) [6646137-1](#) [6646138-1](#) [6646479-1](#) [6646608-1](#) [6646786-1](#) [6646940-1](#) [6651091-1](#) [6651525-1](#) [6651529-1](#)
[6651788-1](#) [696475-1](#) [702-32-01109](#) [703-25-02205](#) [73000005059](#) [73000005642](#) [73080255059](#) [73080965046](#) [765-15-0080A](#) [765-16-0080B](#)
[765-18-0080D](#) [829992-1](#) [902-77-02113](#) [PS00/A0620/6300](#) [PS25/A0420/63](#) [129-1J](#) [1409400](#) [AN0024023](#) [E6374G1](#) [e6389g2](#) [157-43GW8](#)
[MS3117-14AC](#) [1643543-1](#) [1650540-1](#) [1651811-2](#) [1766260-1](#) [1766282-1](#) [1766966-1](#) [1791340000](#) [NLDFT-3-BL-L-S120-M40A](#) [NLDFT-N-](#)
[W-L-C240-M40B](#) [NLS-2-R-C240-M40B](#) [NLS-N-W-C240-M40B](#) [NPS-3-BL-T6](#) [1986615-1](#) [2-1589900-8](#) [2199314-1](#) [KA8102](#)