

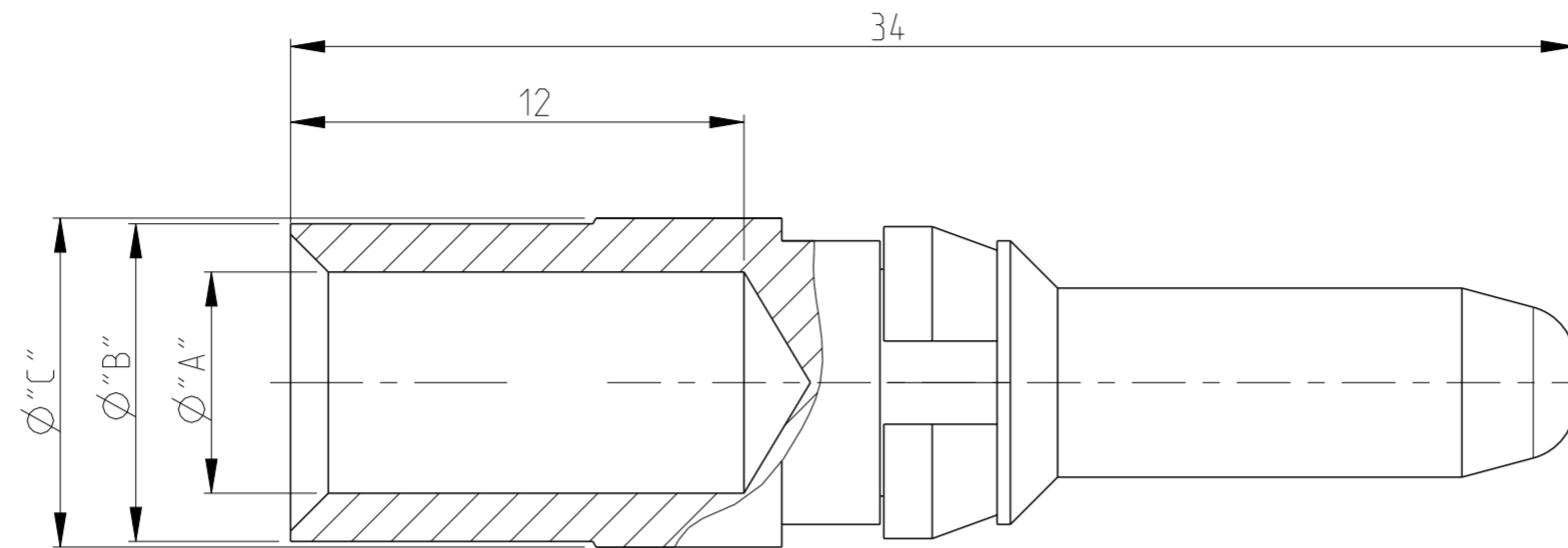
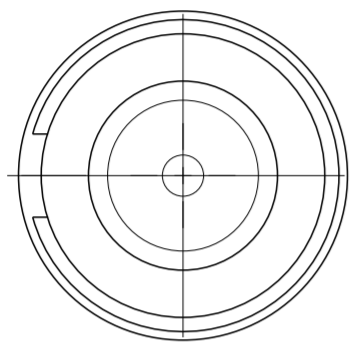
THIS DRAWING IS UNPUBLISHED. RELEASED FOR PUBLICATION
 © COPYRIGHT - ALL RIGHTS RESERVED.

LOC	DIST	REVISIONS					
		P	LTR	DESCRIPTION	DATE	DWN	APVD
B1	-	D3		REVISED PER ECO-11-005150	31MAR2011	RK	HMR
		D4		ECR-14-007793	26AUG2014	RK	MKO
		D5		REVISED PER ECR-16-016780	19AUG2017	NG	MKO

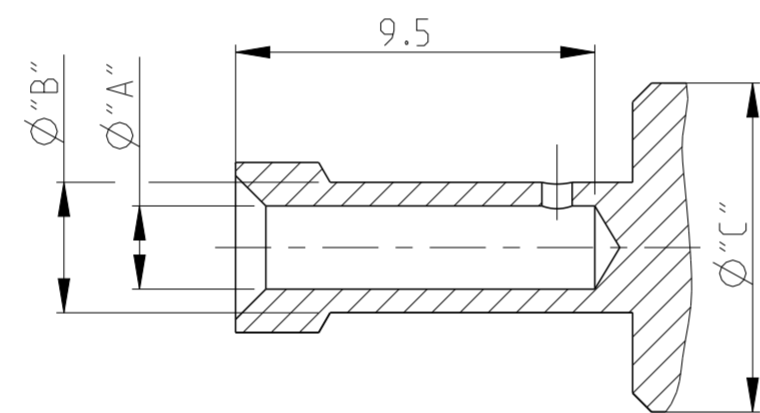
Notes

- 1 MATERIAL: BRASS
- 2 FINISH SILVER PLATING: 2µm Ag MIN. OVER Cu
- 3 FINISH GOLD PLATING: 0.75µm Au MIN. OVER Ni
- 4 WEIGHT (MAX.): 7.60 g, VOLUME (MAX.): 932mm³ (APPROX.)
- 5 SUITABLE SOCKET CONTACT: CUSTOMER DRAWING 1105151
- 6 SUITABLE INSERTS: SERIES HSS, CUSTOMER DRAWING
- 7 SUITABLE CRIMP TOOL: PN 1-1105850-8
- 8 SUITABLE INSERTION TOOL: -
- 9 SUITABLE EXTRACTION TOOL: PN 0-1102855-5
- 10 FINE WIRE DIA. MAX. Ø 4.5
- 11 PACKAGING:
25 PIECES IN A POLY-BAG
1 POLY-BAG IN A CARTON
- 12 PACKAGING:
1 PIECES LOOSE
- 13 STANDARDS: DIN EN 61984, DIN EN 60664-1

WIRE CROSS-SECTION:
 Ø6mm²- 16mm²



WIRE CROSS-SECTION:
 Ø2.5mm²/ 4mm²



OBSOLETE	HSS-C-Sti.Au.16.0 mm ²	HSS-C-Sti.Au.10.0 mm ²	HSS-C-Sti.Au.6.0 mm ²	HSS-C-Sti.Ag.25.0 mm ²	HSS-C-Sti.Ag.16.0 mm ²	HSS-C-Sti.Ag.10.0 mm ² -fine	HSS-C-Sti.Ag.10.0 mm ²	HSS-C-Sti.Ag.6.0 mm ²	HSS-C-Sti.Ag.4.0 mm ²	HSS-C-Sti.Ag.2.5 mm ²	GOLD	16.0	5.85	8.4	8.7	12	11	12
																	5-2	9-3
											SILVER	10.0	4.35	5.9	8.7	12	4-2	9-2
												6.0	3.5	4.9	8.7	12	3-2	9-1
												25.0	7	9.45	9.6	12	6-1	8-7
												16.0	5.85	8.4	8.7	12	5-1	8-6
												10.0	4.6	5.9	8.7	12	4-3	8-5
												10.0	4.35	5.9	8.7	12	4-1	8-4
												6.0	3.5	4.9	8.7	12	3-1	8-3
												4.0	2.8	3.9	8.7	12	2-1	8-2
												2.5	2.2	3.45	8.7	12	1-1	8-1
												[MM ²]	"A"	"B"	"C"	[MM]	PN	PN
	ORDERING TEXT		PLATING	CROSS SECTION	DIMENSIONS			STRIPPING-LENGTH	WITH CLIP									

PARTS LIST

THIS DRAWING IS A CONTROLLED DOCUMENT. DWN: 08APRIL2008 K.SCHROEDER
 CHK: H.BRAUN
 APVD: T.SCHNURPFEIL

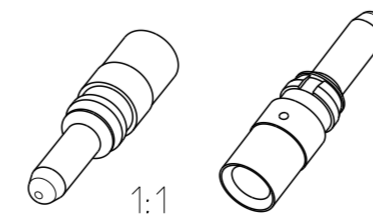
STE TE Connectivity

NAME: PIN CONTACT SERIES HSS

PRODUCT SPEC: 108-74016
 APPLICATION SPEC: 114-74028

SIZE: A2 CAGE CODE: 00779 DRAWING NO: 1105150 RESTRICTED TO: -
 WEIGHT: - SCALE: 5:1 SHEET 1 OF 1 REV: 05

Customer Drawing



X-ON Electronics

Largest Supplier of Electrical and Electronic Components

Click to view similar products for [Heavy Duty Power Connectors](#) category:

Click to view products by [TE Connectivity](#) manufacturer:

Other Similar products are found below :

[647757-1](#) [6643411-1](#) [6646058-2](#) [6646137-1](#) [6646138-1](#) [6646479-1](#) [6646608-1](#) [6646786-1](#) [6646940-1](#) [6651091-1](#) [6651525-1](#) [6651529-1](#)
[6651788-1](#) [696475-1](#) [702-32-01109](#) [703-25-02205](#) [73000005059](#) [73000005642](#) [73080255059](#) [73080965046](#) [765-15-0080A](#) [765-16-0080B](#)
[765-18-0080D](#) [829992-1](#) [902-77-02113](#) [PS00/A0620/6300](#) [PS25/A0420/63](#) [129-1J](#) [1409400](#) [AN0024023](#) [E6374G1](#) [e6389g2](#) [157-43GW8](#)
[MS3117-14AC](#) [1643543-1](#) [1650540-1](#) [1651811-2](#) [1766260-1](#) [1766282-1](#) [1766966-1](#) [1791340000](#) [NLDFT-3-BL-L-S120-M40A](#) [NLDFT-N-](#)
[W-L-C240-M40B](#) [NLS-2-R-C240-M40B](#) [NLS-N-W-C240-M40B](#) [NPS-3-BL-T6](#) [1986615-1](#) [2-1589900-8](#) [2199314-1](#) [KA8102](#)