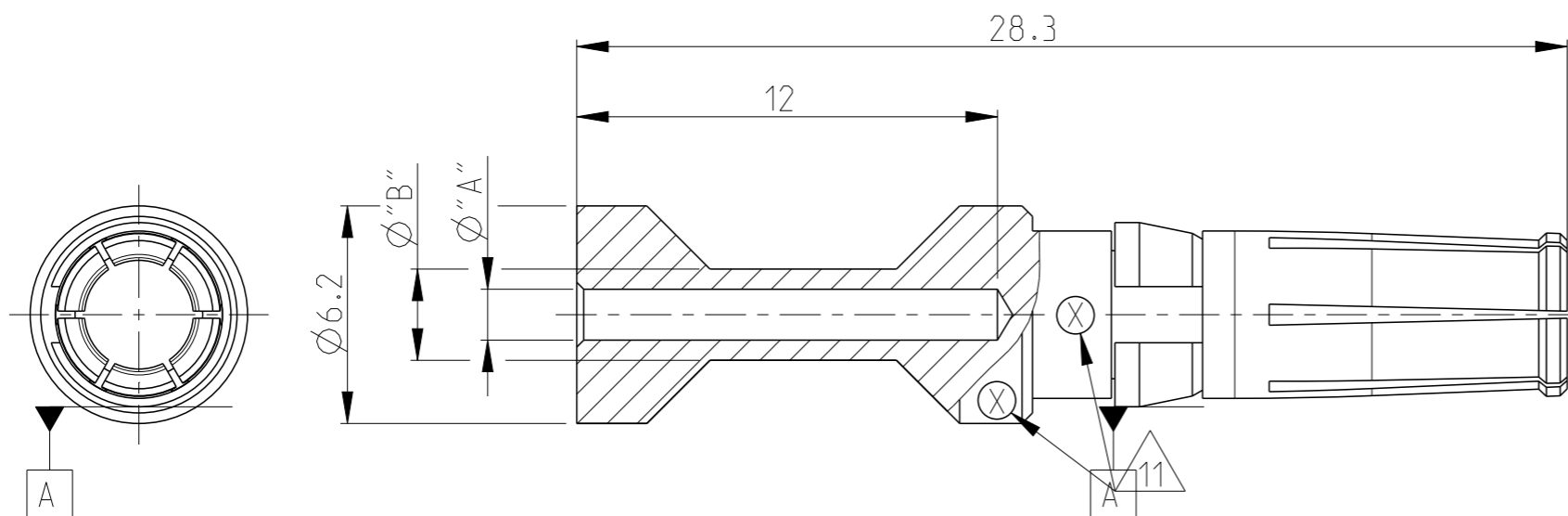


P	LTR	DESCRIPTION	DATE	DWN	APVD
A2		PN3-2; 5-2; 6-2 OBSOLETE	Eg00-1426-03	15.05.03	SR SM
A3		ECR-09-005436		11MAR2010	VG MH
A4		ECR-16-016696		18AUG2017	GCM MKO
A5		REVISED PER ECR-17-014011		18JAN2018	SRG MKO



Notes

- 1 MATERIAL: BRASS
- 2 FINISH SILVER PLATING: 2 µm Ag MIN. OVER Cu
- 3 FINISH GOLD PLATING: 0.75 µm Au MIN. OVER Ni
- 4 NO VENTILATION HOLE REQUIRED AT CROSS-SECTION >4.0 MM<sup>2</sup>
- 5 WEIGHT: 2.8 g, VOLUME: 324mm<sup>3</sup> (APPROX.)
- 6 SUITABLE PIN CONTACT: CUSTOMER DRAWING 1105251
- 7 SUITABLE INSERTS: SERIES HSM, CUSTOMER DRAWING
- 8 SUITABLE CRIMP TOOL: PN 1-1105850-8
- 9 SUITABLE INSERTION TOOL: PN 0-1102855-6
- 10 SUITABLE EXTRACTION TOOL: PN 0-1102855-4
- 11 CROSS-SECTION MARKING
- 12 STANDARDS: DIN EN 61984, DIN EN 60664-1

ORDERING TEXT	PLATING	CROSS SECTION	DIMENSIONS	CROSS-SECTION MARKINGS	STRIPPING-LENGTH		
OBSOLETE	HSM.Bu.C.Au	10.0mm <sup>2</sup>	10	4.35	5.9	8	12
OBSOLETE	HSM.Bu.C.Au	6.0mm <sup>2</sup>	6.0	3.5	4.9	7	12
OBSOLETE	HSM.Bu.C.Au	4.0mm <sup>2</sup>	4.0	2.85	3.9	6	12
OBSOLETE	HSM.Bu.C.Au	2.5mm <sup>2</sup>	2.5	2.2	3.2	5	12
OBSOLETE	HSM.Bu.C.Au	1.5mm <sup>2</sup>	1.5	1.8	3.0	4	12
OBSOLETE	HSM.Bu.C.Au	0.75mm <sup>2</sup>	0.75-1.0	1.45	2.6	3	12
	HSM.Bu.C.Ag	10.0mm <sup>2</sup>	10	4.35	5.9	8	12
	HSM.Bu.C.Ag	6.0mm <sup>2</sup>	6.0	3.5	4.9	7	12
	HSM.Bu.C.Ag	4.0mm <sup>2</sup>	4.0	2.85	3.9	6	12
	HSM.Bu.C.Ag	2.5mm <sup>2</sup>	2.5	2.2	3.2	5	12
OBSOLETE	HSM.Bu.C.Ag	1.5mm <sup>2</sup>	1.5	1.8	3.0	4	12
	HSM.Bu.C.Ag	0.75mm <sup>2</sup>	0.75-1.0	1.45	2.6	3	12
			[MM <sup>2</sup> ]	"A"	"B"	CROSS-SECTION MARKINGS	[mm]

PARTS LIST

THIS DRAWING IS A CONTROLLED DOCUMENT.

DWN K.SCHROEDER 03APR2008  
 CHK H.BRAUN 03APR2008  
 APVD T.SCHNURPFIL 03APR2008

TE Connectivity

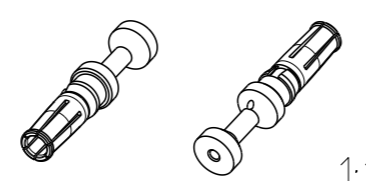
NAME SOCKET CONTACT SERIES HSM

PRODUCT SPEC APPLICATION SPEC WEIGHT

SIZE A3 CAGE CODE 00779 DRAWING NO C=1105251 RESTRICTED TO

CUSTOMER DRAWING SCALE 5:1 SHEET 1 OF 1 REV A5

DIMENSIONS:	TOLERANCES UNLESS OTHERWISE SPECIFIED:
mm	0 PLC ±
	1 PLC ±
	2 PLC ±
	3 PLC ±
	4 PLC ±
	ANGLES ±0.5°



## X-ON Electronics

Largest Supplier of Electrical and Electronic Components

*Click to view similar products for [Heavy Duty Power Connectors](#) category:*

*Click to view products by [TE Connectivity](#) manufacturer:*

Other Similar products are found below :

[647757-1](#) [6643411-1](#) [6646058-2](#) [6646137-1](#) [6646138-1](#) [6646479-1](#) [6646608-1](#) [6646786-1](#) [6646940-1](#) [6651091-1](#) [6651525-1](#) [6651529-1](#)  
[6651788-1](#) [696475-1](#) [702-32-01109](#) [703-25-02205](#) [73000005059](#) [73000005642](#) [73080255059](#) [73080965046](#) [765-15-0080A](#) [765-16-0080B](#)  
[765-18-0080D](#) [829992-1](#) [902-77-02113](#) [PS00/A0620/6300](#) [PS25/A0420/63](#) [129-1J](#) [1409400](#) [AN0024023](#) [E6374G1](#) [e6389g2](#) [157-43GW8](#)  
[MS3117-14AC](#) [1643543-1](#) [1650540-1](#) [1651811-2](#) [1766260-1](#) [1766282-1](#) [1766966-1](#) [1791340000](#) [NLDFT-3-BL-L-S120-M40A](#) [NLDFT-N-](#)  
[W-L-C240-M40B](#) [NLS-2-R-C240-M40B](#) [NLS-N-W-C240-M40B](#) [NPS-3-BL-T6](#) [1986615-1](#) [2-1589900-8](#) [2199314-1](#) [KA8102](#)