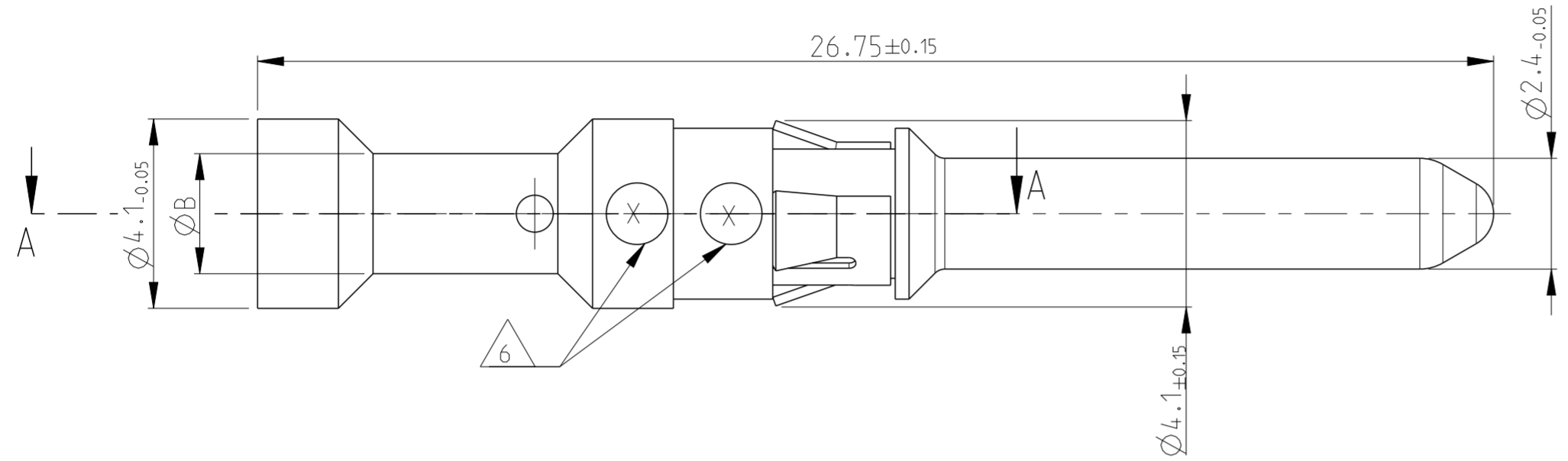
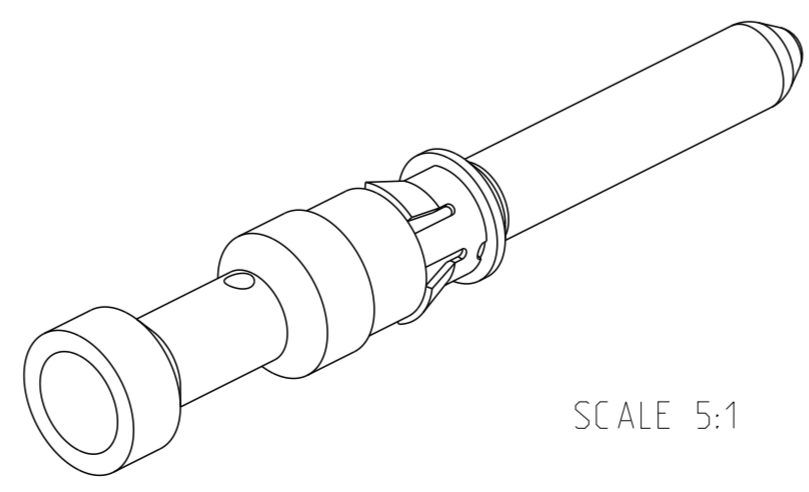
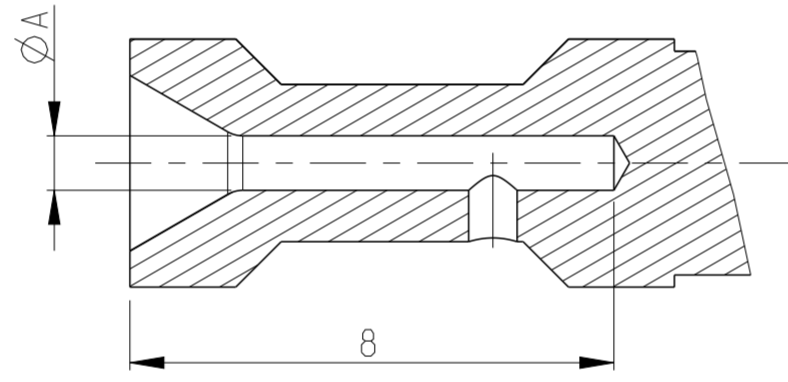


THIS DRAWING IS UNPUBLISHED. RELEASED FOR PUBLICATION 2006
 © COPYRIGHT 2006 BY - ALL RIGHTS RESERVED.

LOC		DIST		REVISIONS			
P	LTR	DESCRIPTION	DATE	DWN	APVD		
A1	-	H2	24MAR2011	RK	HMR	REVISED PER ECO-11-005030	
		H3	14SEP2017	GA	MKO	ECR-16-016696	



SECTION A-A



NOTES:

- 1 MATERIAL SEE TABLE
- 2 SURFACE SEE TABLE
- 3 ASSEMBLY WEIGHT SEE TABLE
- 4 PACKAGING: 50 PIECES IN POLYBAG
- 5 PACKAGING: 500 PIECES IN POLYBAG & CARTON
- 6 CROSS-SECTION MARKING
- 7 NO VENTILATION HOLE REQUIRED AT CROSS SECTION >4 mm²
- 8 SUITABLE SOCKET CONTACT: PN 1105301
- 9 SUITABLE INSERTS: SERIES HVT
- 10 SUITABLE CRIMP TOOL: PN 1-1105851-8
- 11 SUITABLE INSERTION TOOL: PN 0-1102855-6
- 12 SUITABLE EXTRACTION TOOL: PN 0-1102855-3
- 13 STANDARDS: DIN EN 61984, DIN EN 60664-1
- 14 OBSOLETE

														ASSEMBLY WEIGHT IN (Kg) ³																		
														Pin Contact 4.0 mm ²	Pin Contact 2.5 mm ²	Pin Contact 1.5 mm ²	Pin Contact 0.75-1.0 mm ²	Pin Contact 0.5 mm ²	Pin Contact 0.13-0.4 mm ²	Pin Contact 14 AWG	Pin Contact 12 AWG	Pin Contact 10 AWG	Pin Contact 4.0 mm ²	Pin Contact 2.5 mm ²	Pin Contact 1.5 mm ²	Pin Contact 0.75-1.0 mm ²	Pin Contact 0.5 mm ²	Pin Contact 0.13-0.4 mm ²				ITEM NO
																													GOLD PLATING			
0.00142	0.00144	0.00148	0.00145	0.00149	0.00150	0.00144	0.00148	0.00133	0.00142	0.00144	0.00148	0.00145	0.00149	0.00150																		
1	1	1	1	1	1	1	1	1	1	1	1	1	1	1							1											
5-2	4-2	3-2	2-2	1-2	6-2	14 0-2	9-1	7-2	5-1	4-1	3-1	2-1	1-1	6-1																		
5-9	4-9	3-9	2-9	1-9	6-9	8-8	9-8	7-8	5-8	4-8	3-8	2-8	1-8	6-8																		
HVT-C-Stri.Au.4.0 mm ²														CuZn39Pb3 F43			GOLD PLATING			SILVER PLATING												
HVT-C-Stri.Au.2.5 mm ²														2.85			3.9			6												
HVT-C-Stri.Au.1.5 mm ²														2.2			3.2			5												
HVT-C-Stri.Au.0.75-1.0 mm ²														1.8			3.0			4												
HVT-C-Stri.Au.0.5 mm ²														1.45			2.6			3												
HVT-C-Stri.Au.0.13-0.4 mm ²														0.9			2.6			1												
HVT-C-Stri.Ag-AWG.14														2.0			3.2			8												
HVT-C-Stri.Ag-AWG.12														2.55			3.6			9												
HVT-C-Stri.Ag-AWG.10														3.2			4.1			7												
HVT-C-Stri.Ag.4.0 mm ²														2.85			3.9			6												
HVT-C-Stri.Ag.2.5 mm ²														2.2			3.2			5												
HVT-C-Stri.Ag.1.5 mm ²														1.8			3.0			4												
HVT-C-Stri.Ag.0.75-1.0 mm ²														1.45			2.6			3												
HVT-C-Stri.Ag.0.5 mm ²														1.1			2.6			2												
HVT-C-Stri.Ag.0.13-0.4 mm ²														0.9			2.6			1												

DESCRIPTION	MATERIAL	SURFACE	ØA	ØB	CROSS SECTION MARKING	ITEM NO
	1	2			6	

THIS DRAWING IS A CONTROLLED DOCUMENT.

DIMENSIONS: mm

TOLERANCES UNLESS OTHERWISE SPECIFIED:
 0 PLC
 1 PLC
 2 PLC
 3 PLC
 4 PLC
 ANGLES
 FINISH

OTHERWISE SPECIFIED:
 ISO 9015
 DIN 9137
 DIN 9138
 DIN 9139
 DIN 9140
 DIN 9141
 DIN 9142
 DIN 9143
 DIN 9144
 DIN 9145
 DIN 9146
 DIN 9147
 DIN 9148
 DIN 9149
 DIN 9150

MATERIAL 1

FINISH 2

DWN G.WROBLEWSKI 04 SEP.2007
 CHK T.SCHNURPEITL 04 SEP.2007
 APVD T.SCHNURPEITL 04 SEP.2007

PRODUCT SPEC 108-74035
 APPLICATION SPEC 114-74013

WEIGHT -

CUSTOMER DRAWING

NAME CLIP

SIZE A2 CAGE CODE 00779 DRAWING NO C-1105300 RESTRICTED TO -

SCALE 5:1 SHEET 1 OF 1 REV H3

1471-9 (3/11)

X-ON Electronics

Largest Supplier of Electrical and Electronic Components

Click to view similar products for [Heavy Duty Power Connectors](#) category:

Click to view products by [TE Connectivity](#) manufacturer:

Other Similar products are found below :

[647757-1](#) [6643411-1](#) [6646058-2](#) [6646137-1](#) [6646138-1](#) [6646479-1](#) [6646608-1](#) [6646786-1](#) [6646940-1](#) [6651091-1](#) [6651525-1](#) [6651529-1](#)
[6651788-1](#) [696475-1](#) [702-32-01109](#) [703-25-02205](#) [73000005059](#) [73000005642](#) [73080255059](#) [73080965046](#) [765-15-0080A](#) [765-16-0080B](#)
[765-18-0080D](#) [829992-1](#) [902-77-02113](#) [PS00/A0620/6300](#) [PS25/A0420/63](#) [129-1J](#) [1409400](#) [AN0024023](#) [E6374G1](#) [e6389g2](#) [157-43GW8](#)
[MS3117-14AC](#) [1643543-1](#) [1650540-1](#) [1651811-2](#) [1766260-1](#) [1766282-1](#) [1766966-1](#) [1791340000](#) [NLDFT-3-BL-L-S120-M40A](#) [NLDFT-N-](#)
[W-L-C240-M40B](#) [NLS-2-R-C240-M40B](#) [NLS-N-W-C240-M40B](#) [NPS-3-BL-T6](#) [1986615-1](#) [2-1589900-8](#) [2199314-1](#) [KA8102](#)