

REVISIONS

P	LTR	DESCRIPTION	DATE	DWN	APVD
	A3	REVISED PER ECR-17-014051	04APR2018	GCM	MKO


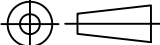
RELEASED FOR PUBLICATION

ALL RIGHTS RESERVED.

© COPYRIGHT - TE Connectivity Ltd.

THIS DRAWING IS UNPUBLISHED.

OBSOLETE	1-1106005-0
	1-1106005-6
	1106005-9
	2-1106005-6
	3-1106005-6
	4-1106005-6
	5-1106005-6
	6-1106005-6
	6-1106005-7
	7-1106005-6
7-1106005-7	
SUPERSEDED BY T3209291211-000 OR T3209291201-000	5-1106005-7
SUPERSEDED BY T3209211211-000 OR T3209211201-000	4-1106005-7
SUPERSEDED BY T3209161211-000 OR T3209161201-000	3-1106005-7
SUPERSEDED BY T3209131201-000 OR T3209131211-000	2-1106005-7
SUPERSEDED BY T3209111201-000	1-1106005-7
TE PART NUMBER	

DIMENSIONS: mm	DWN	04APR2018	MATERIAL	-	FINISH	-	
	CHK	04APR2018	 TE Connectivity Ltd.				
GANESH.COM							
APVD	04APR2018						
TOLERANCES UNLESS OTHERWISE SPECIFIED: 0 PLC ± - 1 PLC ± - 2 PLC ± - 3 PLC ± - 4 PLC ± - ANGLES ± -	M. KOMAR		NAME REDU reducing piece				
	M. KOMAR						
	PRODUCT SPEC		SIZE	CAGE CODE	DRAWING NO	RESTRICTED TO	
APPLICATION SPEC		A4	00779	C=1106005	-		
WEIGHT		CUSTOMER DRAWING					
		SCALE	1:1	SHEET	1 OF 1	REV	A3

X-ON Electronics

Largest Supplier of Electrical and Electronic Components

Click to view similar products for [Heavy Duty Power Connectors](#) category:

Click to view products by [TE Connectivity](#) manufacturer:

Other Similar products are found below :

[647757-1](#) [6643411-1](#) [6646058-2](#) [6646137-1](#) [6646138-1](#) [6646479-1](#) [6646608-1](#) [6646786-1](#) [6646940-1](#) [6651091-1](#) [6651525-1](#) [6651529-1](#)
[6651788-1](#) [696475-1](#) [702-32-01109](#) [703-25-02205](#) [73000005059](#) [73000005642](#) [73080255059](#) [73080965046](#) [765-15-0080A](#) [765-16-0080B](#)
[765-18-0080D](#) [829992-1](#) [902-77-02113](#) [PS00/A0620/6300](#) [PS25/A0420/63](#) [129-1J](#) [1409400](#) [AN0024023](#) [E6374G1](#) [e6389g2](#) [157-43GW8](#)
[MS3117-14AC](#) [1643543-1](#) [1650540-1](#) [1651811-2](#) [1766260-1](#) [1766282-1](#) [1766966-1](#) [1791340000](#) [NLDFT-3-BL-L-S120-M40A](#) [NLDFT-N-](#)
[W-L-C240-M40B](#) [NLS-2-R-C240-M40B](#) [NLS-N-W-C240-M40B](#) [NPS-3-BL-T6](#) [1986615-1](#) [2-1589900-8](#) [2199314-1](#) [KA8102](#)