

4

3

2

1

THIS DRAWING IS UNPUBLISHED.

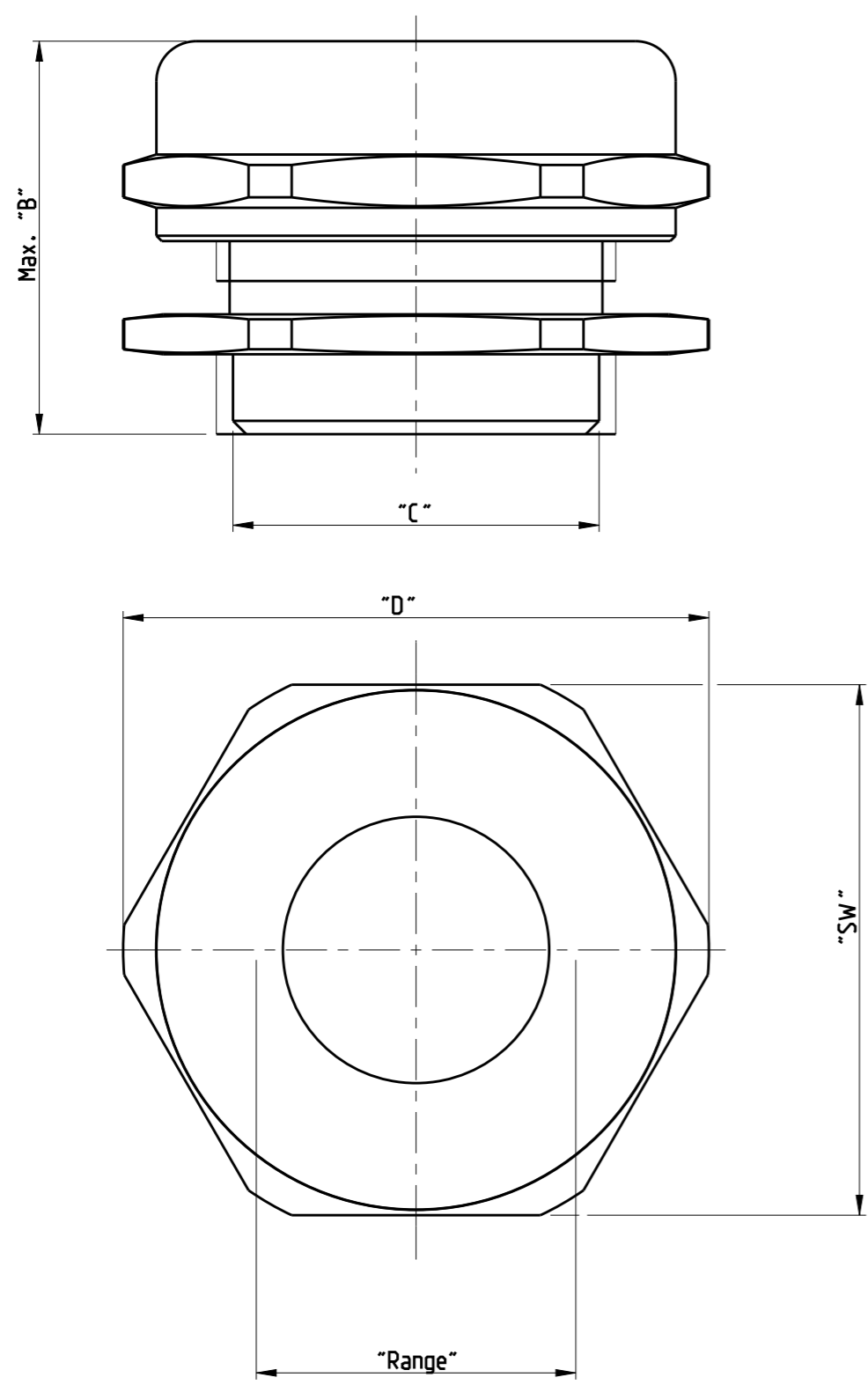
RELEASED FOR PUBLICATION

20

© COPYRIGHT 1997 BY -

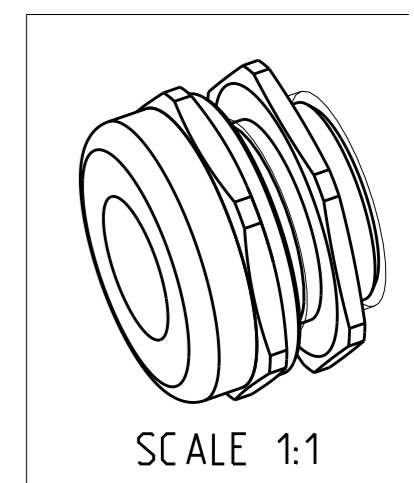
ALL RIGHTS RESERVED.

LOC	DIST	REVISIONS					
		P	LTR	DESCRIPTION	DATE	DWN	APVD
A1	-		A5	REVISED PER ECR-17-014412	04APR2018	NG	MKO



NOTES

- 1 PARTS SHELL BE FREE AND CLEAN OF BURRS AND OTHER FOREIGN MATERIAL
- 2 MATERIALS
BASE HOUSING & PRESSURE SCREW: BRASS, NICKEL PLATED
SEALINGS: NBR. INSERT: PA
- 3 PACKAGING
QUANTITY: 10 PIECES



SUPERSEDED BY T3609110111-000 OR T3609110101-000	1-9	HUT.11.MS	5-10	23.5	PG11	22.2	20
SUPERSEDED BY T3609130111-000 OR T3609130101-000	2-9	HUT.13.MS	6-12	25	PG13.5	24.4	22
SUPERSEDED BY T3609160111-000 OR T3609160101-000	3-9	HUT.16.MS	10-14	25	PG16	26.7	24
SUPERSEDED BY T3609210111-000 OR T3609210101-000	4-9	HUT.21.MS	13-18	27	PG21	33.5	30
SUPERSEDED BY T3609290111-000 OR T3609290101-000	5-9	HUT.29.MS	18-25	31	PG29	44	40
SUPERSEDED BY T3609360111-000 OR T3609360101-000	6-9	HUT.36.MS	24-32	36	PG36	54	50
SUPERSEDED BY T3609420111-000 OR T3609420101-000	7-9	HUT.42.MS	30-38	39	PG42	61	57
OBSOLETE	8-9	HUT.48.MS	34-44	42	PG48	69	64
PN	ORDERING TEXT	RANGE	B	C	D	SW	
			DEMENSIONS (mm)				

THIS DRAWING IS A CONTROLLED DOCUMENT.		DWN Schneider 08.02.01				
		CHK Schweiger 08.02.01				
DIMENSIONS: mm		APVD -	NAME Gland Fitting			
		PRODUCT SPEC -	-			
<p>TOLERANCES UNLESS OTHERWISE SPECIFIED:</p> <p>0 PLC ±</p> <p>1 PLC ±</p> <p>2 PLC ±</p> <p>3 PLC ±</p> <p>4 PLC ±</p> <p>ANGLES ±</p>		APPLICATION SPEC -	-			
MATERIAL -		WEIGHT -	SIZE A3	CAGE CODE 00779	DRAWING NO C-1106006	RESTRICTED TO
CUSTOMER DRAWING			SCALE 4:1	SHEET 1 OF 1	REV A5	

X-ON Electronics

Largest Supplier of Electrical and Electronic Components

Click to view similar products for [Heavy Duty Power Connectors](#) category:

Click to view products by [TE Connectivity](#) manufacturer:

Other Similar products are found below :

[647757-1](#) [6643411-1](#) [6646058-2](#) [6646137-1](#) [6646138-1](#) [6646479-1](#) [6646608-1](#) [6646786-1](#) [6646940-1](#) [6651091-1](#) [6651525-1](#) [6651529-1](#)
[6651788-1](#) [696475-1](#) [702-32-01109](#) [703-25-02205](#) [73000005059](#) [73000005642](#) [73080255059](#) [73080965046](#) [765-15-0080A](#) [765-16-0080B](#)
[765-18-0080D](#) [829992-1](#) [902-77-02113](#) [PS00/A0620/6300](#) [PS25/A0420/63](#) [129-1J](#) [1409400](#) [AN0024023](#) [E6374G1](#) [e6389g2](#) [157-43GW8](#)
[MS3117-14AC](#) [1643543-1](#) [1650540-1](#) [1651811-2](#) [1766260-1](#) [1766282-1](#) [1766966-1](#) [1791340000](#) [NLDFT-3-BL-L-S120-M40A](#) [NLDFT-N-](#)
[W-L-C240-M40B](#) [NLS-2-R-C240-M40B](#) [NLS-N-W-C240-M40B](#) [NPS-3-BL-T6](#) [1986615-1](#) [2-1589900-8](#) [2199314-1](#) [KA8102](#)