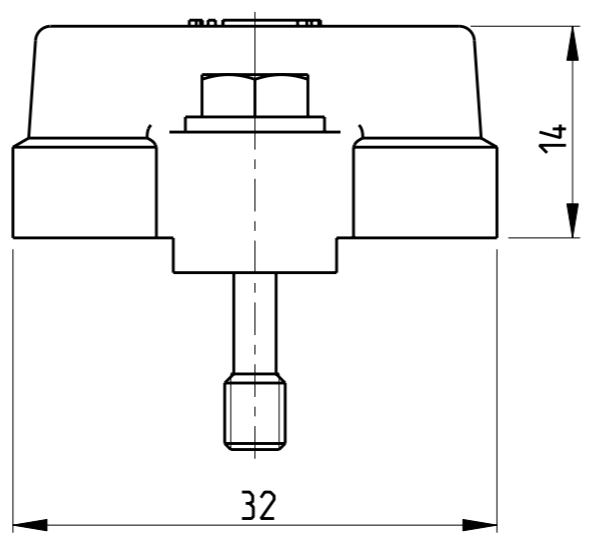
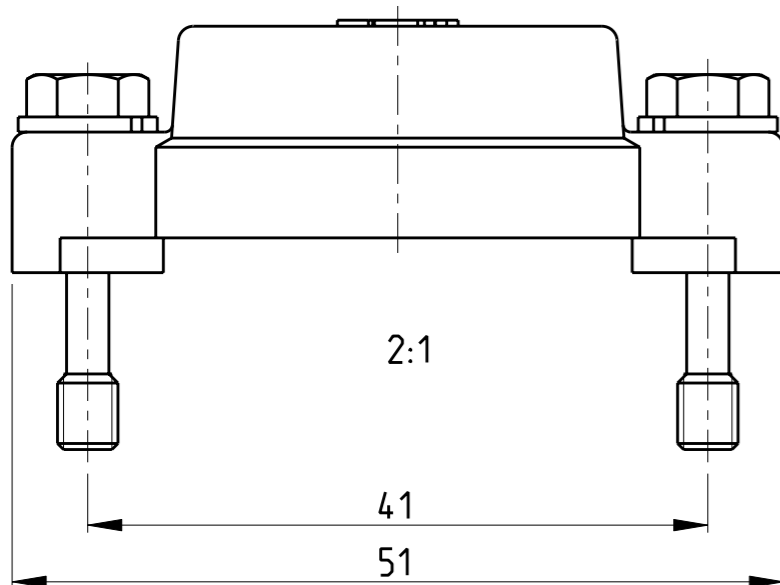


THIS DRAWING IS UNPUBLISHED. RELEASED FOR PUBLICATION 2009
 © COPYRIGHT 2009 BY TYCO ELECTRONICS CORPORATION. ALL RIGHTS RESERVED.

LOC	DIST	REVISIONS			
P	LTR	DESCRIPTION	DATE	DWN	APVD
A1	-	A3	ECR-09-023155	22OCT2009	VG AR

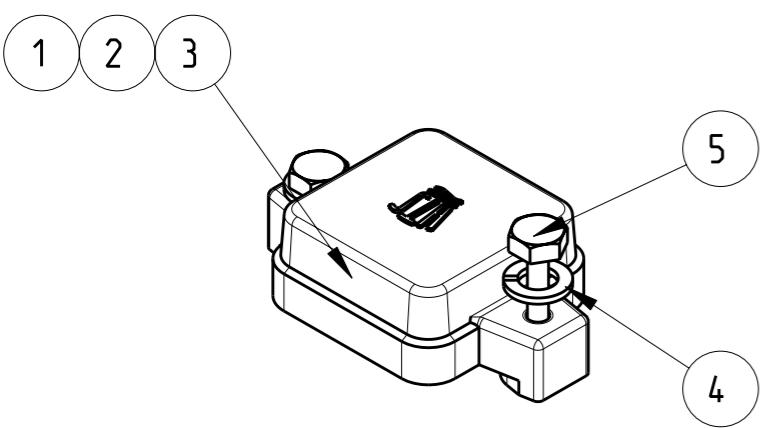


PN 3-5 AS SHOWN

Notes

- SUITABLE HOUSINGS: SERIES EMV / HIP, SIZE 1
CUSTOMER DRAWING 1102603, 1102703, 1102602, 1102702, 1102601, 1106407, 1106401, 1102701
- STANDARDS:
DIN EN 61984, DIN EN 60664-1
- TOOL:
HEXAGON SCREW DRIVER 7mm
- VARNISH ON INSIDE AREA NOT NECESSARY
- PACKAGING:
10 SETS IN A CARTON, PRE-MOUNTED

PART NO.	ORDERING TEXT
0-1106200-1	EMV-K / HIP-K.3/4.SKB
4-1106200-5	EMV-K / HIP-K.3/4.SKB
3-1106200-5	EMV / HIP.3/4.SKB



1:1

PN/QTY	DESCRIPTION	MATERIAL	COLOR/SURFACE	NOTE	ITEM
2 2 2	SCREW, HEXAGON BOLT	STAINL. STEEL	BLANK	M4x22 DIN EN ISO 7964, REDUCED SHUNK	5
2 2 2	WASHER, PLAIN	STAINL. STEEL	BLANK	A4, DIN EN ISO 7089, 200HV	4
1 - -	COVER	ALU	BLACK	SERIES EMV-K / HIP-K	3
- 1 -	COVER	ALU	BLACK	SERIES EMV-K / HIP-K	2
- - 1	COVER	ALU	GREY	SERIES EMV / HIP	1

PARTS LIST (PER ONE UNIT)

<small>THIS DRAWING IS A CONTROLLED DOCUMENT FOR TYCO ELECTRONICS CORPORATION IT IS SUBJECT TO CHANGE AND THE CONTROLLING ENGINEERING ORGANIZATION SHOULD BE CONTACTED FOR THE LATEST REVISION.</small>		DWN V.GLUMM 27AUG2009 CHK H.Braun 27AUG2009 APVD T.Schnurpfeil 27AUG2009		Tyco Electronics AMP GmbH 64625 Bensheim (Germany)	
DIMENSIONS: mm 		TOLERANCES UNLESS OTHERWISE SPECIFIED: 0 PLC ±- 1 PLC ±- 2 PLC ±- 3 PLC ±- 4 PLC ±- ANGLES ±1°		NAME COVER ASS'Y SERIES EMV / HIP, SIZE 1	
MATERIAL -		FINISH -		PRODUCT SPEC - APPLICATION SPEC - WEIGHT -	SIZE A3 CAGE CODE 00779 DRAWING NO C-1106200 RESTRICTED TO -
CUSTOMER DRAWING				SCALE 2:1	SHEET 1 OF 1 REV A3

X-ON Electronics

Largest Supplier of Electrical and Electronic Components

Click to view similar products for [Heavy Duty Power Connectors](#) category:

Click to view products by [TE Connectivity](#) manufacturer:

Other Similar products are found below :

[1424439](#) [1424438](#) [09330062652](#) [605601-1](#) [6340G1](#) [6341G1](#) [6360G1](#) [6373G1](#) [6374g2](#) [6396G1](#) [647757-1](#) [6643411-1](#) [6646058-2](#) [6646137-1](#)
[6646138-1](#) [6646348-1](#) [6646479-1](#) [6646608-1](#) [6646786-1](#) [6646940-1](#) [6651525-1](#) [6651529-1](#) [6651778-1](#) [6651788-1](#) [696465-1](#) [696475-1](#)
[73000005059](#) [73000005349](#) [73000005642](#) [73080965046](#) [765-15-0080A](#) [765-16-0080B](#) [789.700-44](#) [789.700-54](#) [80-1010](#) [80-9](#) [827381-1](#)
[829992-1](#) [902-77-02113](#) [PL00U-301-10D10](#) [PM103MOOLOO](#) [PM212MOOLOO](#) [PM309FOOLOO](#) [PM324FOOLCH](#) [PMHPAF11S03](#)
[PMHPAF14S01](#) [PMHPAM14P05](#) [PMHPAS06](#) [PMHPBF14S01](#) [PP45PC12S](#)