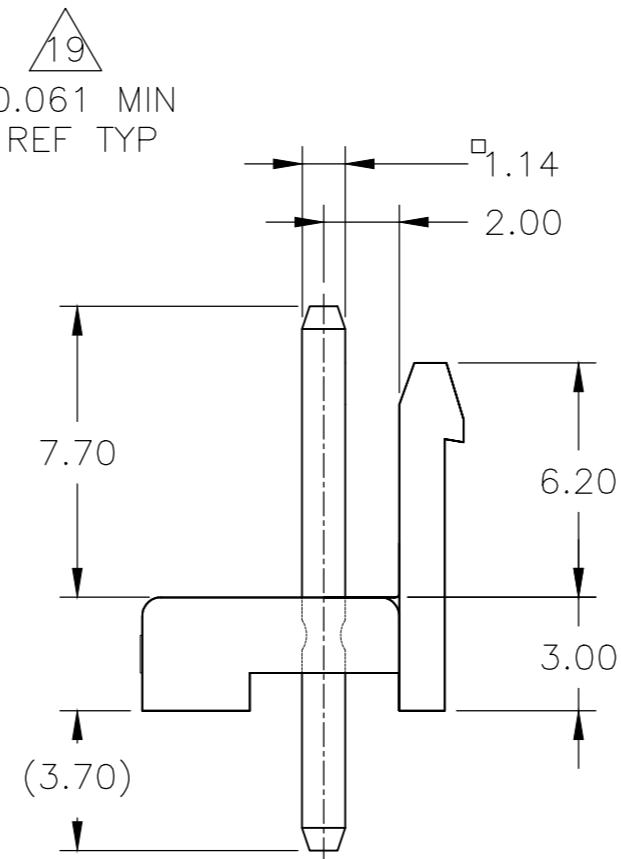
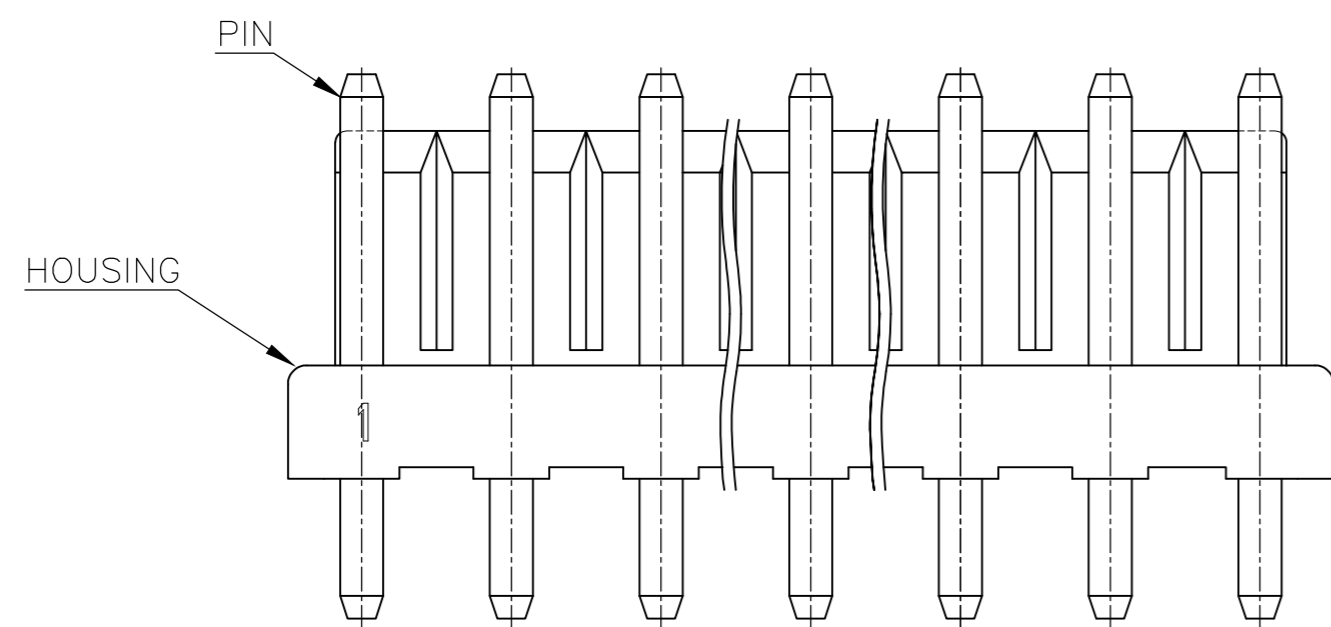
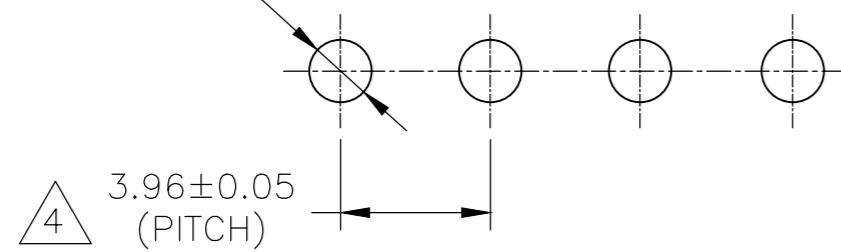


THIS DRAWING IS UNPUBLISHED. RELEASED FOR PUBLICATION  
 © COPYRIGHT - By - ALL RIGHTS RESERVED.

REVISIONS				
P	LTR	DESCRIPTION	DATE	APVD
AA4		REVISED PER ECR-18-005503	30MAY2018	BDA SG



$\phi 1.60^{+0.1}_{-0.0}$  (PUNCHED HOLE)  
 $\phi 1.65^{+0.1}_{-0.0}$  (DRILLED HOLE)



2 FIG.1

- 1 MATING CONN P/N: □-1123722-□
- 2 APPLICABLE P.C.B LAYOUT: SEE FIG. 1
- 3 APPLICABLE P.C.B THICKNESS: 1.60
- 4 SKETCHES SHOW NO PINS MISSING.
- 6 PIN: POST TIN OVER BRASS
- 7 HOUSING: PBT, 30% GLASS, UL94-V0.
- 8 ○ : WITH PIN,  
X : WITHOUT PIN.
- 10 SUPERSEDED BY 1744489-2.
- 11 SUPERSEDED BY 1744489-4.
- 12 SUPERSEDED BY 1744489-5.
- 13 SUPERSEDED BY 1744489-6.
- 14 SUPERSEDED BY 1744489-7.
- 15 SUPERSEDED BY 1744489-8.
- 16 SUPERSEDED BY 1744489-9.
- 17 SUPERSEDED BY 1-1744489-0.
- 18 SUPERSEDED BY 1-1744489-1.
- 19 VALUES FOR UL 61800-5-1

Flam	RTIe deg C	HWI	HAI	CTI
V0	130	PLC 2	PLC 4	PLC 2_UL746

THIS DRAWING IS A CONTROLLED DOCUMENT.		DWN N.YAMASAKI 13MAR'01	TE Connectivity	
DIMENSIONS: mm		CHK M.SHINDO 13MAR'01		
TOLERANCES UNLESS OTHERWISE SPECIFIED:		APVD Y.KASHIWA 13MAR'01	NAME 3.96MM PITCH ECONOMY POWER(EP) CONN HEADER ASSY	
0 PLC ±		PRODUCT SPEC 108-5609	SIZE A2	
1 PLC ± 0.50		APPLICATION SPEC	CAGE CODE 00779	DRAWING NO C=1123723
2 PLC ± 0.30			RESTRICTED TO	
3 PLC ±			SCALE 5:1	
4 PLC ±			SHEET 1 OF 2	
ANGLES ±			REV AA4	
FINISH SEE TABLE		WEIGHT	CUSTOMER DRAWING	

THIS DRAWING IS UNPUBLISHED. RELEASED FOR PUBLICATION  
 © COPYRIGHT - By - ALL RIGHTS RESERVED.

REVISIONS					
P	LTR	DESCRIPTION	DATE	DWN	APVD
-	-	SEE SHEET 1	-	-	-

PIN POSITION			DIMENSION			COLOR	POS	ASS'Y P/N
1	2	3	4	5	6	7	8	9
			39.60	41.00	43.50	NATURAL	11	△ <sup>18</sup> 8-1123723-1
						GREEN		6-1123723-1
						BLACK		5-1123723-1
						RED		4-1123723-1
						BLUE		3-1123723-1
						YELLOW	2-1123723-1	
						NATURAL	1-1123723-1	
			35.64	37.04	39.54	NATURAL	10	△ <sup>17</sup> 7-1123723-0
						GREEN		6-1123723-0
						BLACK		5-1123723-0
						RED		4-1123723-0
						BLUE		3-1123723-0
						YELLOW	2-1123723-0	
						NATURAL	1-1123723-0	
			31.68	33.08	35.58	NATURAL	9	△ <sup>16</sup> 7-1123723-9
X			39.60	41.00	43.50	NATURAL		7-1123723-1
						GREEN		6-1123723-9
						BLACK		5-1123723-9
						RED		4-1123723-9
						BLUE	3-1123723-9	
						YELLOW	2-1123723-9	
						NATURAL	1-1123723-9	
PIN POSITION			DIMENSION			COLOR	POS	ASS'Y P/N

PIN POSITION			DIMENSION			COLOR	POS	ASS'Y P/N
1	2	3	4	5	6	7	8	9
			27.72	29.12	31.62	NATURAL	8	△ <sup>15</sup> 7-1123723-8
						GREEN		6-1123723-8
						BLACK		5-1123723-8
						RED		4-1123723-8
						BLUE		3-1123723-8
						YELLOW	2-1123723-8	
						NATURAL	1-1123723-8	
			23.76	25.16	27.66	NATURAL	7	△ <sup>14</sup> 7-1123723-7
						GREEN		6-1123723-7
						BLACK		5-1123723-7
						RED		4-1123723-7
						BLUE		3-1123723-7
						YELLOW	2-1123723-7	
						NATURAL	1-1123723-7	
			19.80	21.20	23.70	NATURAL	6	△ <sup>13</sup> 7-1123723-6
						GREEN		6-1123723-6
						BLACK		5-1123723-6
						RED		4-1123723-6
						BLUE		3-1123723-6
						YELLOW	2-1123723-6	
						NATURAL	1-1123723-6	
			15.84	17.24	19.74	NATURAL	5	△ <sup>12</sup> 7-1123723-5
						GREEN		6-1123723-5
						BLACK		5-1123723-5
						RED		4-1123723-5
						BLUE		3-1123723-5
						YELLOW	2-1123723-5	
						NATURAL	1-1123723-5	
			11.88	13.28	15.78	NATURAL	4	△ <sup>11</sup> 7-1123723-4
						GREEN		6-1123723-4
						BLACK		5-1123723-4
						RED		4-1123723-4
						BLUE		3-1123723-4
						YELLOW	2-1123723-4	
						NATURAL	1-1123723-4	
			7.92	9.32	11.82	NATURAL	3	△ <sup>9</sup> 7-1123723-3
						GREEN		6-1123723-3
						BLACK		5-1123723-3
						RED		4-1123723-3
						BLUE		3-1123723-3
						YELLOW	2-1123723-3	
						NATURAL	1-1123723-3	
			3.96	5.36	7.86	NATURAL	2	△ <sup>10</sup> 7-1123723-2
						GREEN		6-1123723-2
						BLACK		5-1123723-2
						RED		4-1123723-2
						BLUE		3-1123723-2
						YELLOW	2-1123723-2	
						NATURAL	1-1123723-2	
PIN POSITION			DIMENSION			COLOR	POS	ASS'Y P/N

THIS DRAWING IS A CONTROLLED DOCUMENT.

DWN	13MAR'01	N.YAMASAKI		
CHK	13MAR'01	M.SHINDO		
APVD	13MAR'01	Y.KASHIWA		
PRODUCT SPEC	108-5609			
APPLICATION SPEC	-			

**STE** TE Connectivity

3.96MM PITCH ECONOMY POWER(EP) CONN HEADER ASSY

SIZE	CAGE CODE	DRAWING NO	RESTRICTED TO
A2	00779	C=1123723	-
SCALE	SHEET	REV	
5:1	2 OF 2	AA4	

MATERIAL: SEE TABLE      FINISH: SEE TABLE      WEIGHT:      CUSTOMER DRAWING

## X-ON Electronics

Largest Supplier of Electrical and Electronic Components

*Click to view similar products for [Headers & Wire Housings](#) category:*

*Click to view products by [TE Connectivity](#) manufacturer:*

Other Similar products are found below :

[892-18-020-10-001101](#) [58102-G61-06LF](#) [582553-1](#) [0009485154](#) [009176003701906](#) [0050291907](#) [LY20-4P-DT1-P1E-BR](#) [02.125.8002.8](#)  
[609-3404](#) [61062-3](#) [61082-181009](#) [622-3653LF](#) [63453-116](#) [636-1030](#) [636-1427](#) [636-3427](#) [636-4007](#) [641938-9](#) [641991-4](#) [644827-2](#) [65817-010LF](#) [65817-015LF](#) [65863-015LF](#) [66207-023LF](#) [67095-007LF](#) [67601157](#) [68645-018](#) [68648-049](#) [70.362.1628.0](#) [70-4210](#) [70-4226B](#) [70-4853B](#) [707-5020](#) [707-5028](#) [71.350.2428.0](#) [71918-208LF](#) [71961-016LF](#) [733-134](#) [733-162](#) [754199-000](#) [760-3052](#) [787-8014-00](#) [79531-3000](#)  
[FCN-360C032-B](#) [FCN-367T-T012/H](#) [FCN-723D010/2](#) [80.063.4001.1](#) [800-90-001-10-001000](#) [800-90-010-10-002000](#) [801-43-002-10-013000](#)