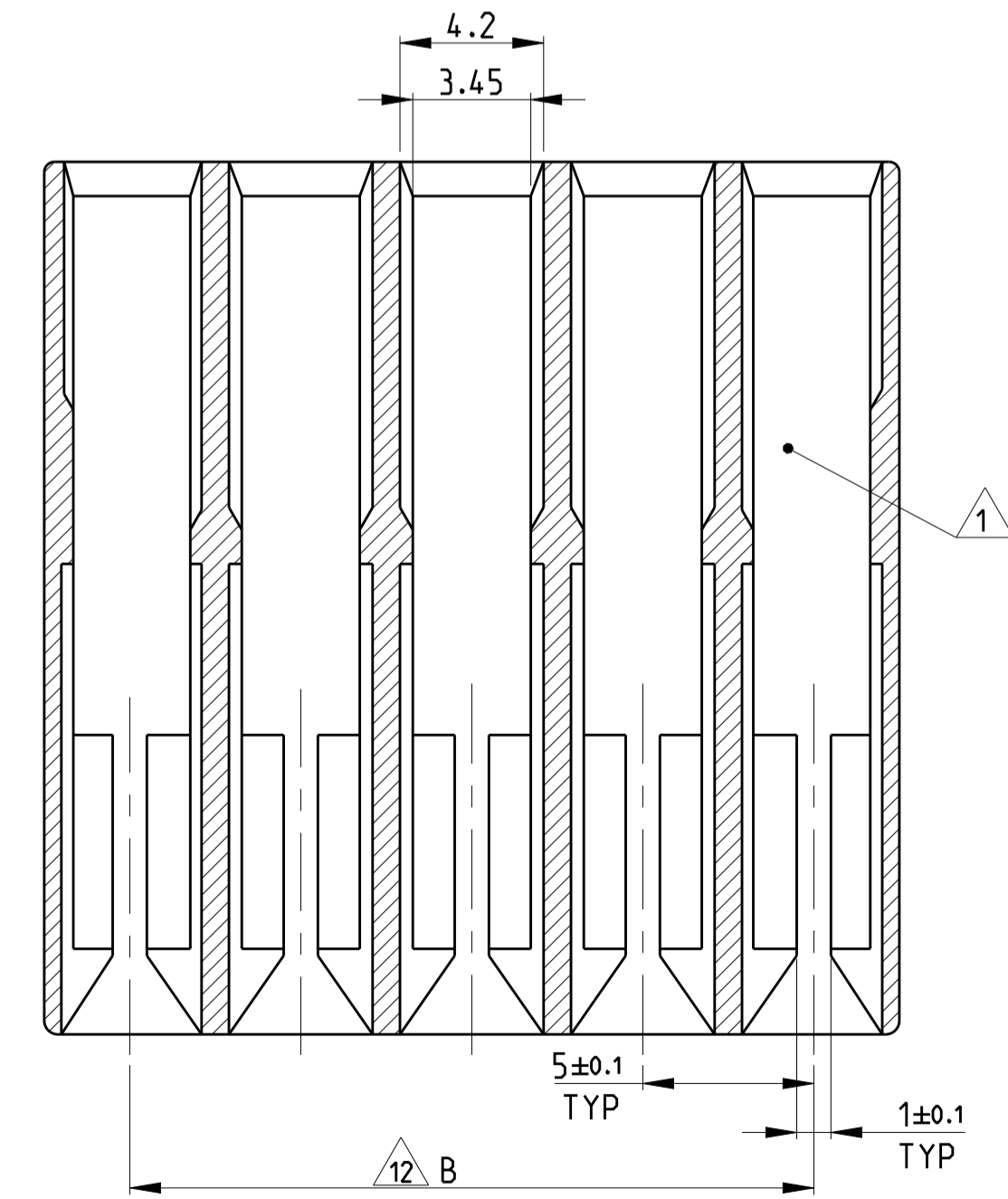
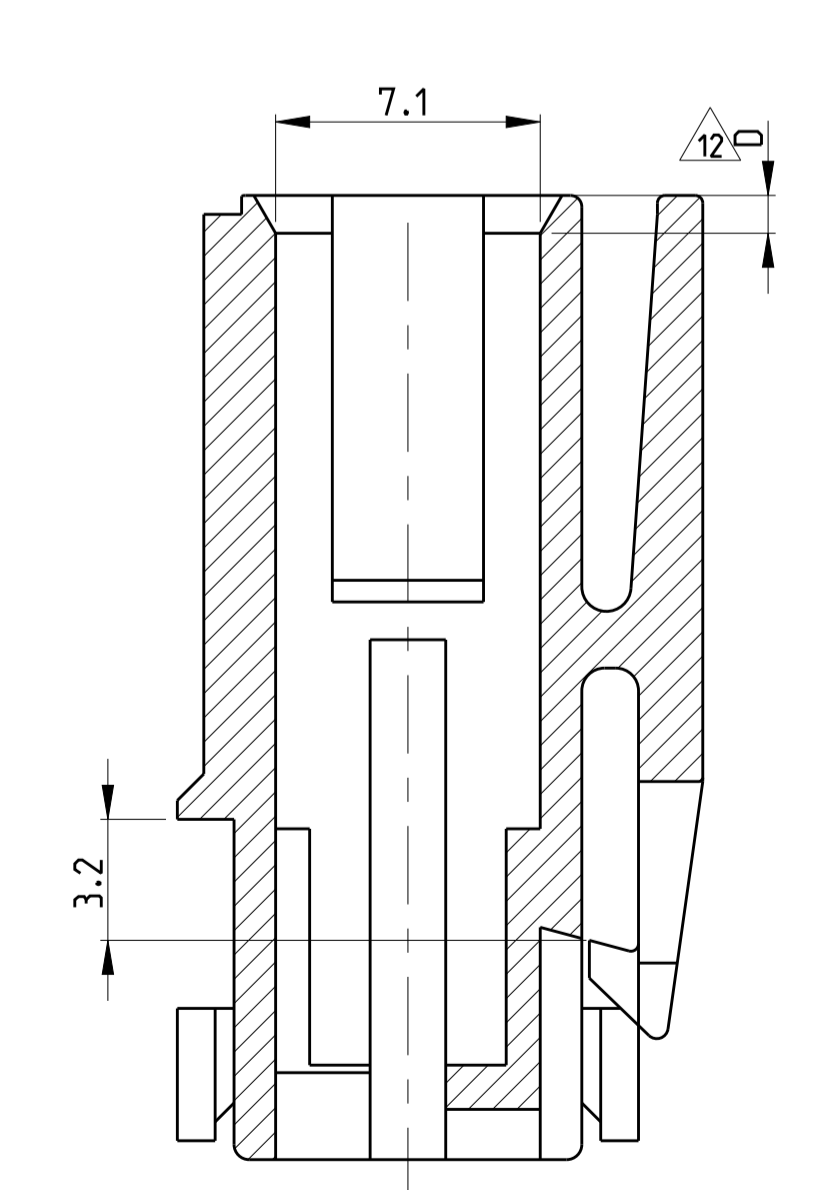
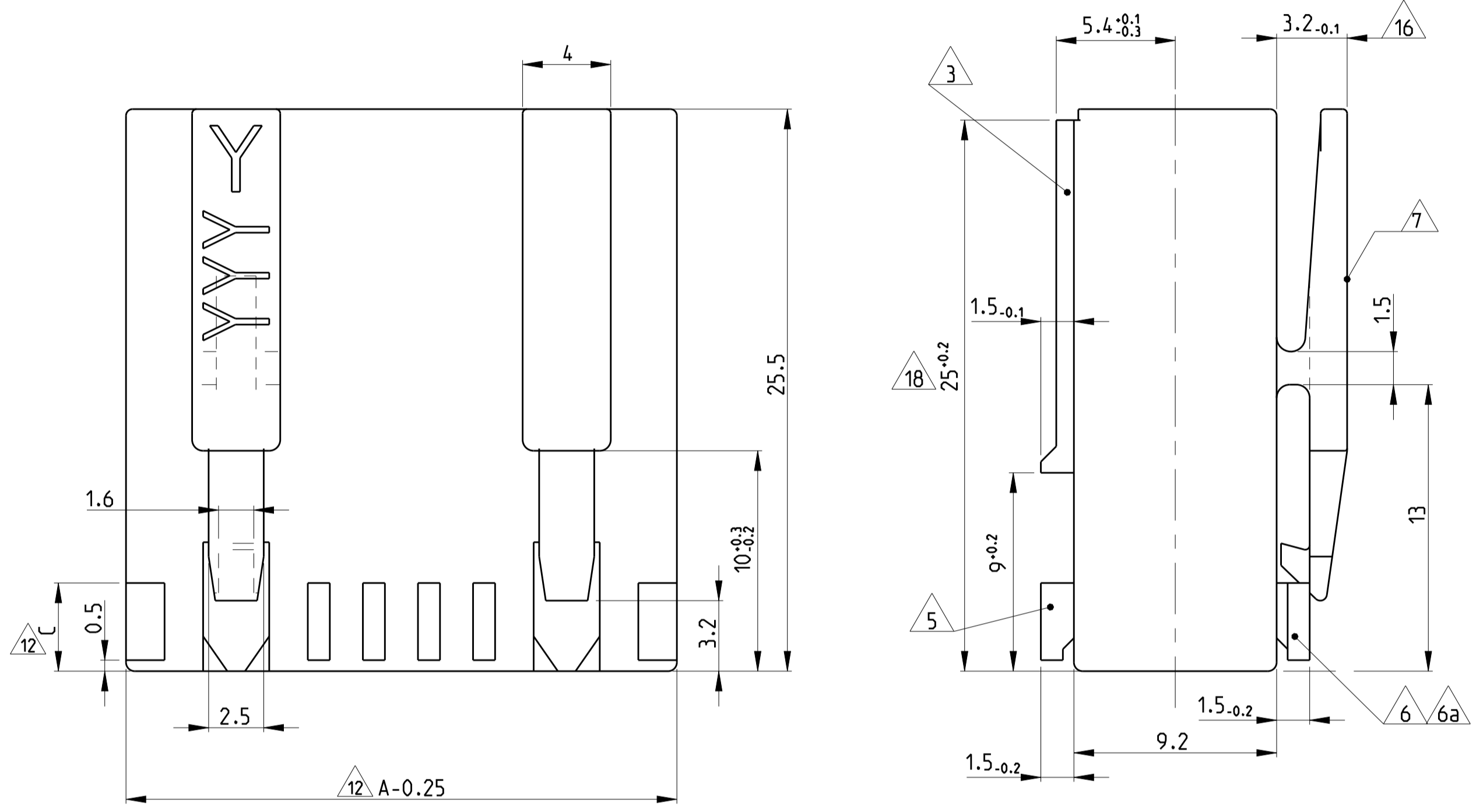
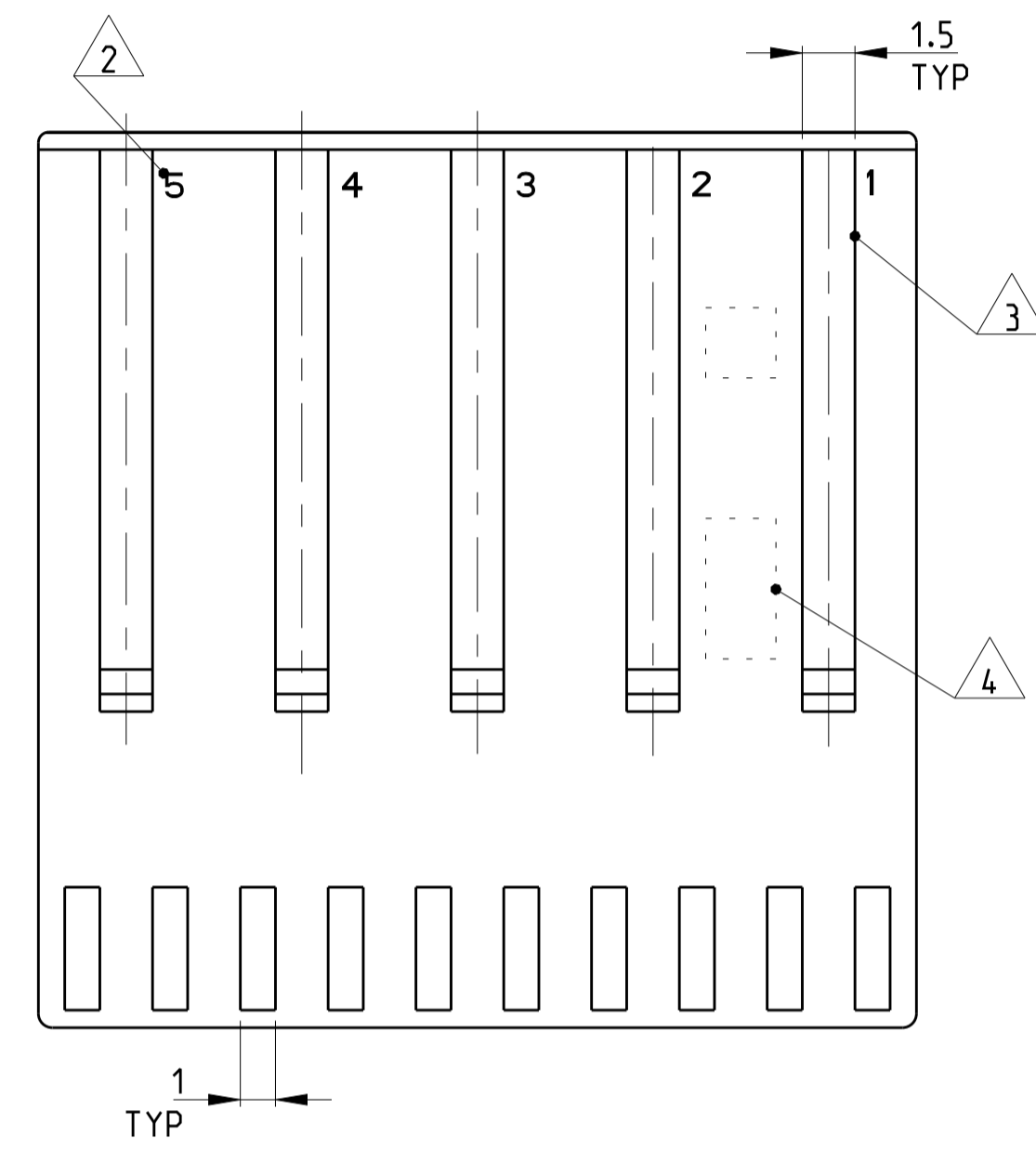
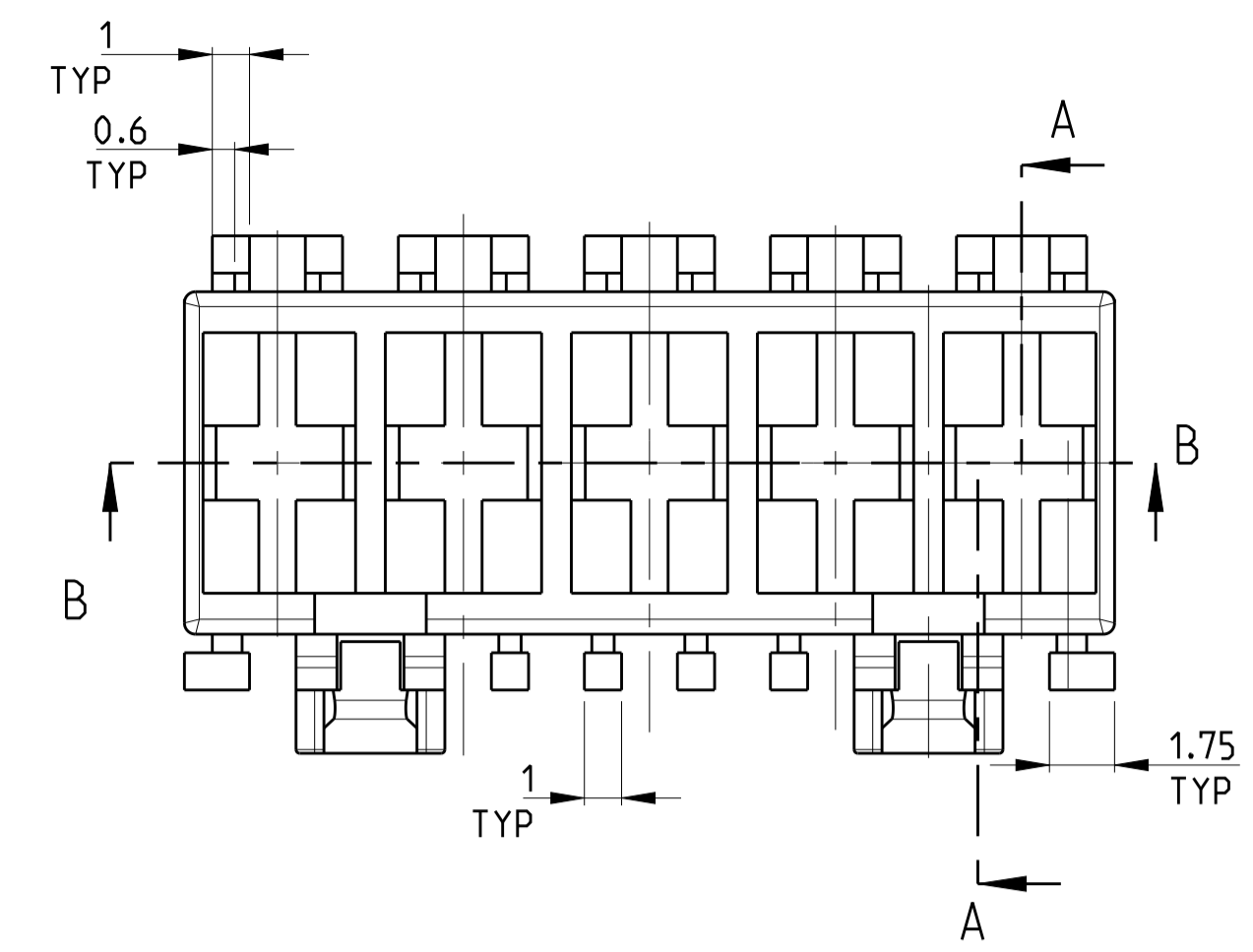
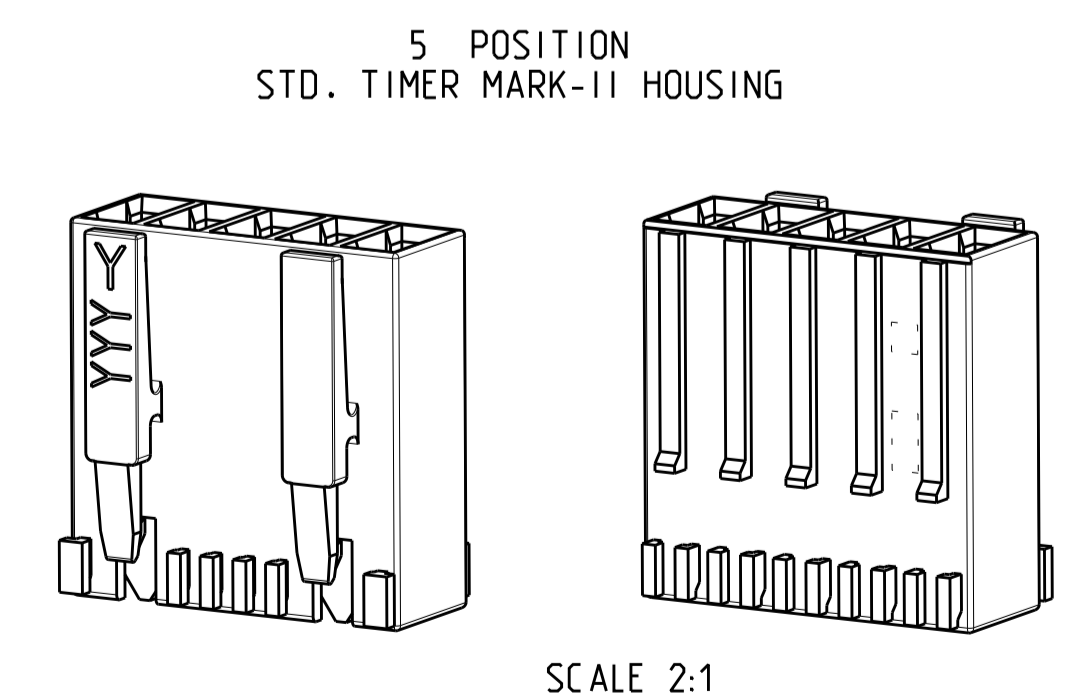


| LOC | DIST | REV | DESCRIPTION   | DATE        | DWN | APVD |
|-----|------|-----|---------------|-------------|-----|------|
| AI  | -    | D   | ECR-20-009446 | 09 JUL 2020 | KD  | FL   |
|     |      | D1  | ECR-20-100327 | 12 AUG 2020 | KD  | FL   |
|     |      | E   | ECR-20-100431 | 11 SEP 2020 | KD  | FL   |
|     |      | E1  | ECR-21-100139 | 12 JAN 2021 | KD  | FL   |

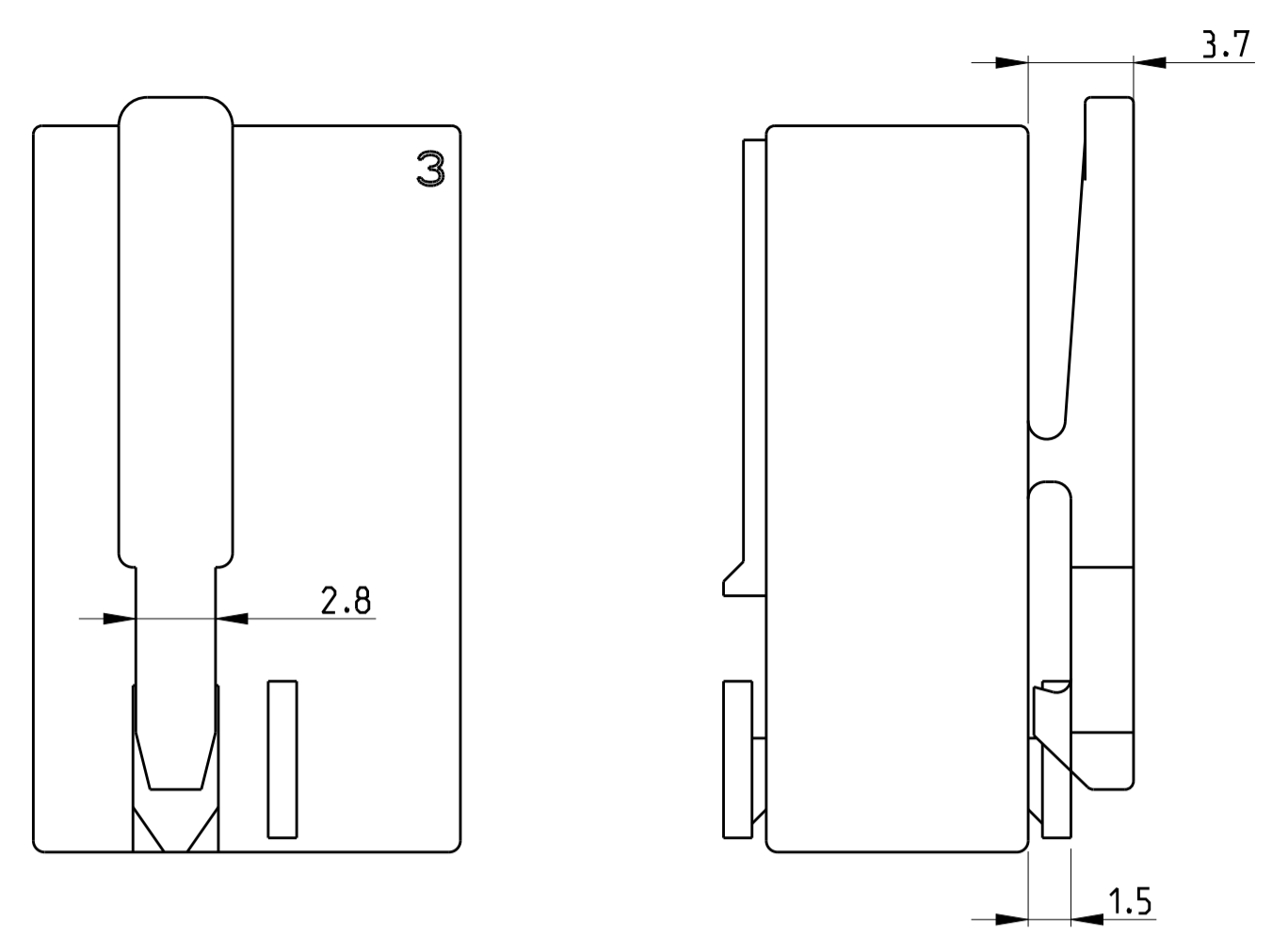


- REMARKS/Bemerkungen**
- 1 CAVITY SUITABLE FOR STANDARD TIMER CONTACTS LISTED IN PROD.SPEC. 108-18049. ITEM 3.3.2  
Kammer geeignet für Standard Timer Kontakte gelistet in Prod. Spec. 108-18049. Punkt 3.3.2
  - 2 CONTACT CAVITY NO.  
Kontaktkammernummerierung
  - 3 MATING STOP  
Tiefenanschlag
  - 4 AREA FOR TE LOGO ACC: TO SPEC 202-36  
Bereich für TE Logo nach Spec. 202-36
  - 5 POLARIZATION RIB POSITION "a" AND/OR "b"  
Polarisierungsrippe Position "a" und/oder "b"
  - 6 KEYING RIB POSITION "c" AND/OR "d"  
Kodierrippe Position "c" und/oder "d"
  - 6a KEYING RIB POSITION "c" AND/OR "d" AT THE END WALLS OF THE HOUSING  
Kodierrippe Position "c" und/oder "d" an den Gehäusestirnseiten
  - 7 LOCKING LATCH  
Rasthaken
  - 8 TE PART NO (PN)  
TE Bestell Nr. (PN)
  - 9 DESIGN OF THE HOUSINGS ACC. TO RAST 5 STANDARD  
Gehäuseausführung gemäss RAST 5 Vorgabe
  - 10 GENERAL SUITABLE TAB HEADER SEE RAST 5 PERFORMANCE  
Generell passende Flachsteckerwannen siehe RAST 5 Vorgabe
  - 11 PACKAGING: BULK PACKAGING IN CORRUGATED BOX PN 740580-2  
2 POS. 2500 PIECES PER BOX / 3 POS. 2000 PIECES PER BOX  
Verpackung: Schüttgut in Versandkarton Pn 740580-2  
2pol. 2500 Stück per Karton / 3pol. 2000 Stück per Karton
  - 12 DIMENSION A, B C AND D SEE SHEET 2 OF 3
  - 13 MATERIAL CORRESPONDS TO THE REQUIREMENT EN 60335  
(INCL. GLOW WIRE TEST 750° WITHOUT FLAME)  
Material entspricht den Anforderungen der EN 60335  
(inkl. Glühdrahttest 750° ohne Flamme)
  - 14 RATIO NUMBER OF THE KEYING VERSION, INKJET PRINTED. SEE SHEET 2  
Kodierungskennnummer, mit Tintenstrahldrucker aufgebracht. siehe Blatt 2
  - 15 PRELIMINARY- NOT RELEASED FOR PRODUCTION
  - 16 ONLY FOR 9-1241961-7. DIMENSION 3.2 -0.2
  - 17 DOUBLE SOURCE RESIN: ALTERNATIVE RESIN UNDER APPROVAL
  - 18 ALLOWED 25±0.2 FOR P/Ns X-2364739-X.



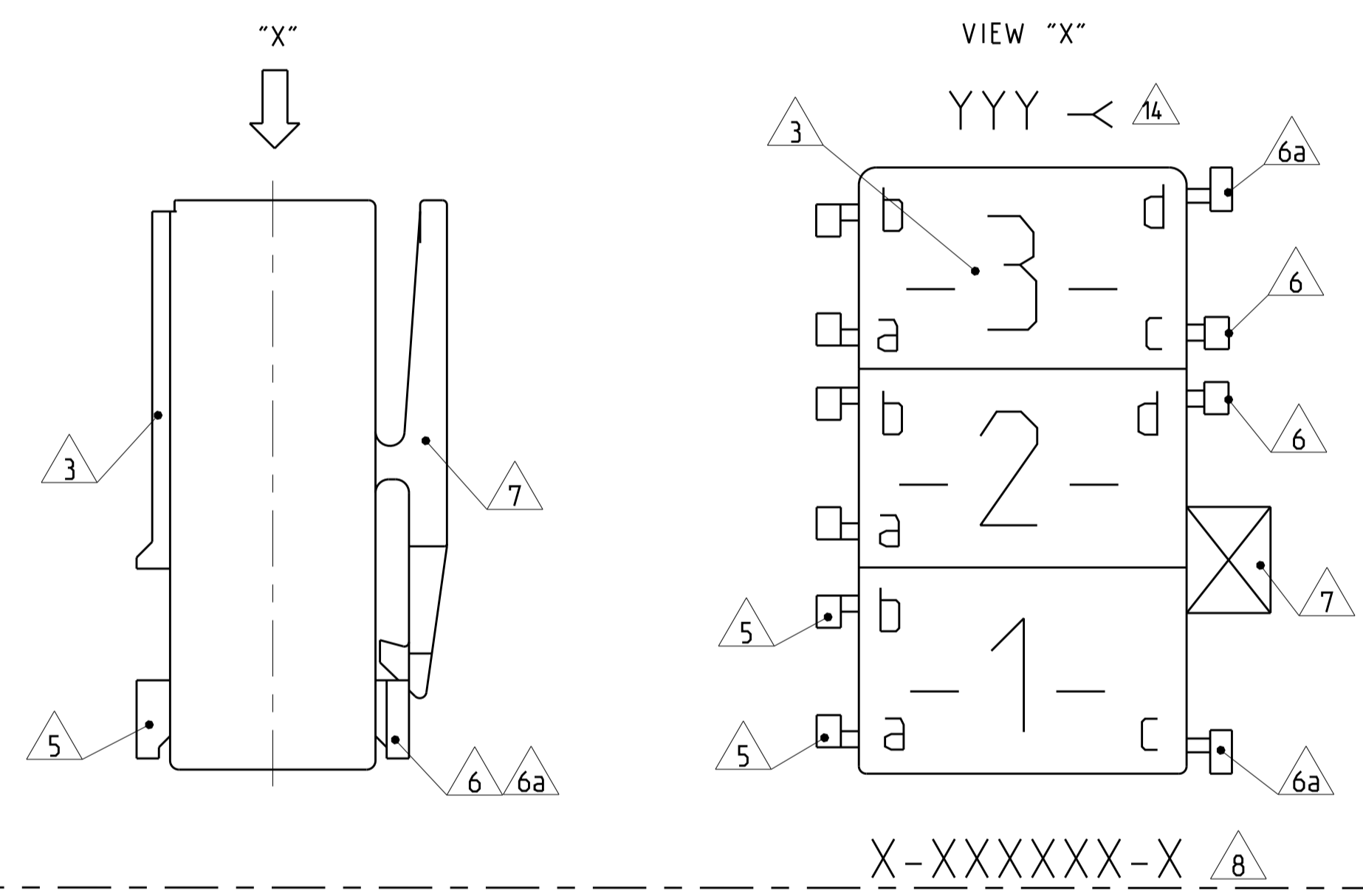
|  |  |                           |   |
|--|--|---------------------------|---|
| THIS DRAWING IS A CONTROLLED DOCUMENT. |  | DWN: Kishor M 18-10-07    | TE Connectivity   |
| DIMENSIONS: mm                         |  | CHK: K. Murtz 18-10-07    |   |
| TOLERANCES UNLESS OTHERWISE SPECIFIED: |  | APVD: T. Klenner 18-10-07 | NAME: STANDARD TIMER HSG. RAST 5 MARK II<br>Standard Timer Gehäuse RAST 5 Mark II |
| 0 PLC ±0.2                             |  | PRODUCT SPEC: 108-18049-1 |   |
| 1 PLC ±0.2                             |  | APPLICATION SPEC:         | SIZE: CAGE CODE: DRAWING NO: RESTRICTED TO<br>A1 00779 C=1241961                  |
| 2 PLC ±0.2                             |  | WEIGHT: -                 |   |
| 3 PLC ±0.2                             |  | Customer Drawing          | SCALE: 5:1 SHEET 1 OF 4 REV: E1   |
| 4 PLC ±0.2                             |  |                           |   |
| ANGLES: -                              |  |                           |   |
| FINISH: -                              |  |                           |   |

ONLY 5-1241961-7, 1-1241961-9, 7-1241961-7, 2345753-1



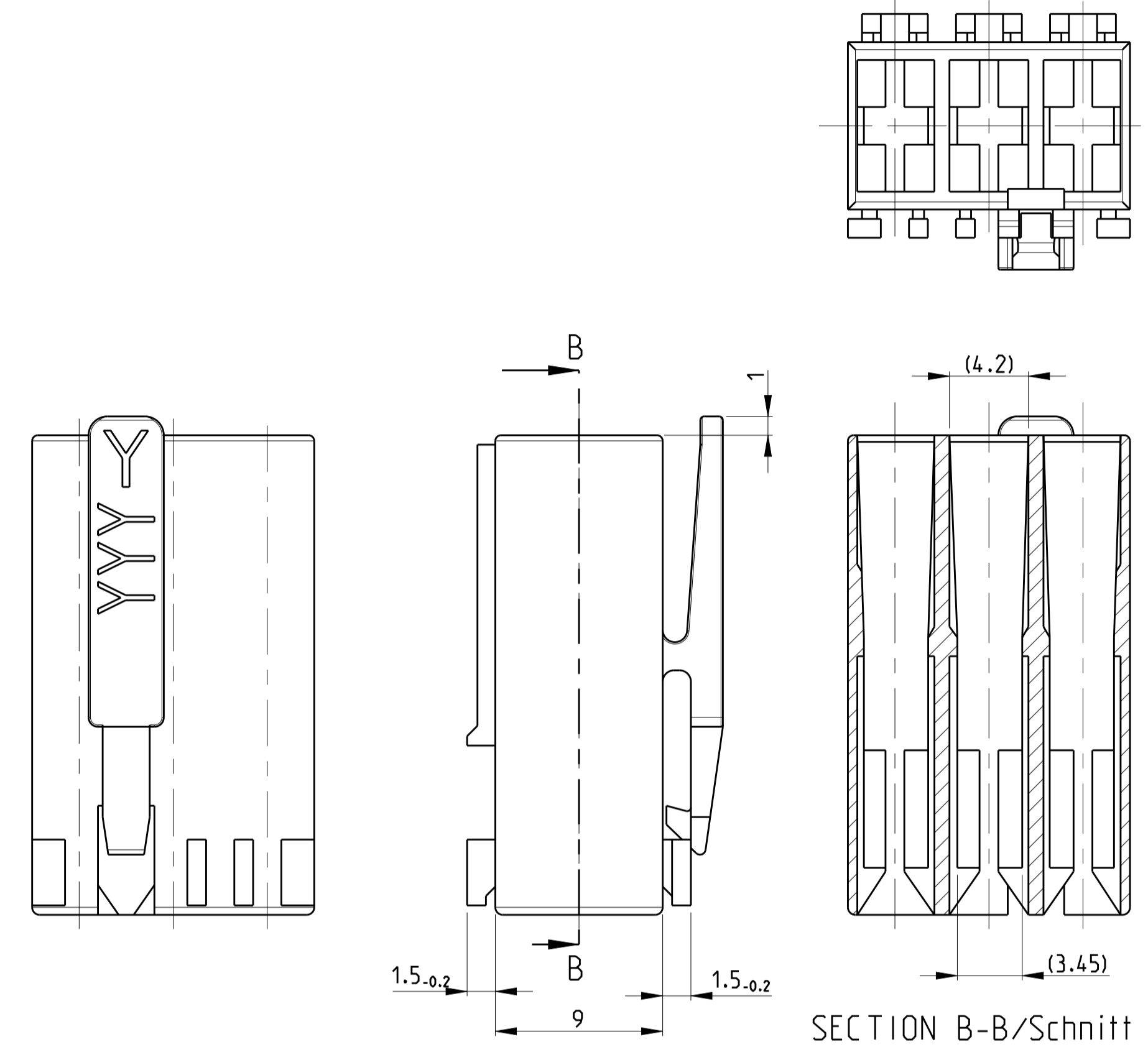
ALL OTHER DIMENSIONS SEE SHEET 1 OF 3

KEY LAYOUT DESCRIPTION



PAY ATTENTION !  
DIFFERENT CAVITY GEOMETRY AND LOCKING LATCH OVERHANG  
Bitte beachten !  
Unterschiedliche Kammergeometrie und Rasthakenüberstand.

FOR 2 POS. AND 3 POS.



ALL OTHER DIMENSIONS SEE SHEET 1 OF 3  
Alle anderen Masse siehe Seite 1 von 3

| SPECIAL MATERIAL: UL94 V0 |   |   |   |    |    |      |         |   |
|---------------------------|---|---|---|----|----|------|---------|---|
| 2345753-1                 | 3 | 6 | 1 | 15 | 10 | PA66 | NATURAL | C |

| SPECIAL MATERIAL |   |   |   |    |    |          |         |   |
|------------------|---|---|---|----|----|----------|---------|---|
| 1955507-4        | 4 | 6 | 1 | 20 | 15 | PA66     | NATURAL | 1 |
| 9-1955506-2      | 2 | 6 | 1 | 10 | 5  | UL 94 V0 | NATURAL | 1 |

| PART NO     | POS | DIM C  | DIM D    | DIM A | DIM B | MATERIAL               | COLOUR  | REV./Rev. |
|-------------|-----|--------|----------|-------|-------|------------------------|---------|-----------|
| 6-1241961-7 | 3   |        |          | 15    | 10    | PA 6 UL94V-2           | NATURAL | 1         |
| 4-1241961-7 | 3   |        |          | 15    | 10    | PA 6 UL94V-2           | NATURAL | A         |
| 3-1241961-7 | 3   | 4      | 0.5      | 15    | 10    | PA 6 UL94V-2           | NATURAL | A         |
| 1-1955422-7 | 3   |        |          | 15    | 10    | PA 66 UNFILLED UL94 V0 | NATURAL | A         |
| 5-1955422-7 | 3   |        |          | 15    | 10    | PA 66 UNFILLED UL94 V0 | NATURAL | A         |
| 4-1955422-3 | 2   | 6      | 1        | 10    | 5     | PA 66 UNFILLED UL94 V0 | NATURAL | A         |
| 2-1241817-3 | 3   | 4 or 6 | 0.5 or 1 | 15    | 10    | PA 66 UL94 V-2         | Green   | E         |
| 0-1955422-6 | 3   |        |          | 15    | 10    | PA 66 UNFILLED UL94 V0 | NATURAL | A         |
| 8-1241961-8 | 3   |        |          | 15    | 10    | PA 6 UL94V-2           | natural | C         |
| 0-1241961-8 | 3   |        |          | 15    | 10    |                        |         |           |
| 8-1241961-3 | 2   | 4      | 0.5      | 10    | 5     | PA 6 UL94V-2           | NATURAL | C         |
| 3-1241961-1 | 2   |        |          | 10    | 5     |                        |         |           |
| 0-1955422-1 | 2   |        |          | 10    | 5     | PA 66 UNFILLED UL94 V0 | NATURAL | A         |

| SPECIAL VERSION: UL94 V0 & GWT 750NF |     |       |       |       |       |                 |              |
|--------------------------------------|-----|-------|-------|-------|-------|-----------------|--------------|
| 2178571-3                            | 4   |       |       | 20    | 15    | PA 66, UL94 V-0 | NATURAL      |
| 2178571-1                            | 3   | 4     | 1     | 15    | 10    | PA 66, UL94 V-0 | NATURAL      |
| 2178571-2                            | 2   |       |       | 10    | 5     | PA 66, UL94 V-0 | NATURAL      |
| 1-2178571-3                          | 3   |       |       | 15    | 10    | PA 66, UL94 V-0 | NATURAL      |
| PART NO                              | POS | DIM C | DIM D | DIM A | DIM B | MATERIAL        | COLOUR Farbe |

| REVISIONS   |      |        |          |             |      |                |                 |              |  |
|-------------|------|--------|----------|-------------|------|----------------|-----------------|--------------|--|
| LOC         | DIST | P      | LTR      | DESCRIPTION | DATE | DWN            | APVD            | SEE SHEET-01 |  |
| 0-1241959-5 | 5    |        |          | 25          | 10   |                |                 | B            |  |
| 4-1241959-4 | 4    | 4      | 0.5      | 20          | 15   | PA 6 UL94V-2   | Natural/natur   | A            |  |
| 2-1241959-4 | 4    |        |          | 20          | 15   |                |                 | B            |  |
| 0-1241959-4 | 4    |        |          | 20          | 15   |                |                 |              |  |
| 2-1241817-5 | 5    | 6      | 1        | 25          | 20   | PA 6.6 UL94V-2 | Natural/natur   | C            |  |
| 0-1241817-5 | 4    | 0.5    |          | 25          | 20   |                | Black/schwarz   |              |  |
| 3-1241817-4 | 4    |        |          | 20          | 15   |                | Violet/violett  |              |  |
| 2-1241817-4 | 4    | 6      | 1        | 20          | 15   |                | Grey/grau       |              |  |
| 0-1241817-4 | 4    | 0.5    |          | 20          | 15   |                | Natural/natur   |              |  |
| 2-1241983-2 |      |        |          | 10          | 5    | PA 6 UL94V-2   | Green/grün      | C            |  |
| 1-1241983-2 | 2    | 4      | 0.5      | 10          | 5    |                | Violet/violett  |              |  |
| 0-1241983-2 |      |        |          | 10          | 5    |                | TARGET RAL 4001 |              |  |
| 8-1241983-2 |      |        |          | 10          | 5    |                | Yellow/gelb     |              |  |
| 5-1241983-3 |      |        |          | 10          | 5    |                | Black/schwarz   |              |  |
| 6-1241983-2 |      |        |          | 10          | 5    |                | Blue/blau       |              |  |
| 9-1241961-7 |      | 4      | 0.5      | 15          | 10   | PA 6 UL94V-2   | Natural/natur   | C            |  |
| 9-1241961-8 |      | 4      | 0.5      | 15          | 10   |                |                 |              |  |
| 6-1241961-8 |      | 4 or 6 | 0.5 or 1 | 15          | 10   |                |                 |              |  |
| 5-1241961-8 |      | 4      | 0.5      | 15          | 10   |                |                 |              |  |
| 4-1241961-8 |      | 4 or 6 | 0.5 or 1 | 15          | 10   |                |                 |              |  |
| 7-1241961-8 |      | 6      | 1        | 15          | 10   |                |                 |              |  |
| 1-1241961-8 |      | 4      | 0.5      | 15          | 10   |                |                 |              |  |
| 3-1241961-8 |      | 6      | 1        | 15          | 10   |                |                 |              |  |
| 2-1241961-8 |      | 4      | 0.5      | 15          | 10   |                |                 |              |  |
| 2-1241961-7 |      | 4      | 0.5      | 15          | 10   |                |                 |              |  |
| 1-1241961-7 |      | 4      | 0.5      | 15          | 10   |                |                 |              |  |
| 9-1241961-9 |      | 4      | 0.5      | 15          | 10   |                |                 |              |  |
| 0-1241961-6 |      |        |          | 15          | 10   |                |                 |              |  |
| 3-1241961-3 |      |        |          | 10          | 5    |                |                 |              |  |
| 2-1241961-2 |      |        |          | 10          | 5    |                |                 |              |  |
| 5-1241961-2 |      |        |          | 10          | 5    |                |                 |              |  |
| 4-1241961-3 |      |        |          | 10          | 5    |                |                 |              |  |
| 7-1241961-2 |      |        |          | 10          | 5    |                |                 |              |  |
| 7-1241961-3 |      |        |          | 10          | 5    |                |                 |              |  |
| 6-1241961-3 |      |        |          | 10          | 5    |                |                 |              |  |
| 3-1241961-2 |      |        |          | 10          | 5    |                |                 |              |  |
| 5-1241961-3 |      |        |          | 10          | 5    |                |                 |              |  |
| 6-1241961-2 |      |        |          | 10          | 5    |                |                 |              |  |
| 0-1241961-3 |      |        |          | 10          | 5    |                |                 |              |  |
| 8-1241961-2 |      |        |          | 10          | 5    |                |                 |              |  |
| 9-1241961-2 |      |        |          | 10          | 5    |                |                 |              |  |
| 0-1241961-1 |      |        |          | 10          | 5    |                |                 |              |  |
| 9-969484-9  | 3    | 6      | 1        | 15          | 10   | PA 6.6 UL94V-2 | Yellow/gelb     |              |  |
| 2-969484-8  |      |        |          | 15          | 10   |                |                 |              |  |
| 4-969484-8  |      | 4 or 6 | 0.5 or 1 | 15          | 10   |                |                 |              |  |
| 0-969484-8  |      |        |          | 15          | 10   |                |                 |              |  |
| 9-969484-7  |      | 4      | 0.5      | 15          | 10   |                |                 |              |  |
| 8-969484-7  |      |        |          | 15          | 10   |                |                 |              |  |
| 7-969484-7  |      |        |          | 15          | 10   |                |                 |              |  |
| 6-969484-7  |      |        |          | 15          | 10   |                |                 |              |  |
| 5-969484-7  |      | 4      | 0.5      | 15          | 10   |                |                 |              |  |
| 4-969484-7  |      |        |          | 15          | 10   |                |                 |              |  |
| 3-969484-7  |      | 4      | 0.5      | 15          | 10   |                |                 |              |  |
| 2-969484-7  |      | 4      | 0.5      | 15          | 10   |                |                 |              |  |
| 1-969484-7  | 3    | 4      | 0.5      | 15          | 10   |                |                 |              |  |
| 0-969484-7  |      |        |          | 15          | 10   |                |                 |              |  |
| 9-969484-6  |      |        |          | 15          | 10   |                |                 |              |  |
| 8-969484-6  |      | 6      | 1        | 15          | 10   |                |                 |              |  |
| 7-969484-6  |      |        |          | 15          | 10   |                |                 |              |  |
| 6-969484-6  |      |        |          | 15          | 10   |                |                 |              |  |
| 5-969484-6  |      |        |          | 15          | 10   |                |                 |              |  |
| 4-969484-6  |      |        |          | 15          | 10   |                |                 |              |  |
| 3-969484-6  |      | 6      | 1        | 15          | 10   |                |                 |              |  |
| 2-969484-6  |      |        |          | 15          | 10   |                |                 |              |  |
| 1-969484-6  |      |        |          | 15          | 10   |                |                 |              |  |
| 0-969484-6  |      |        |          | 15          | 10   |                |                 |              |  |
| 9-969484-3  |      |        |          | 10          | 5    |                |                 |              |  |
| 7-969484-3  |      |        |          | 10          | 5    |                |                 |              |  |
| 6-969484-3  |      |        |          | 10          | 5    |                |                 |              |  |
| 5-969484-3  |      | 4      | 0.5      | 10          | 5    |                |                 |              |  |
| 4-969484-3  |      |        |          | 10          | 5    |                |                 |              |  |
| 3-969484-3  |      |        |          | 10          | 5    |                |                 |              |  |
| 2-969484-3  |      |        |          | 10          | 5    |                |                 |              |  |
| 1-969484-3  |      |        |          | 10          | 5    |                |                 |              |  |
| 0-969484-3  |      |        |          | 10          | 5    |                |                 |              |  |
| 9-969484-2  |      |        |          | 10          | 5    |                |                 |              |  |
| 8-969484-2  |      |        |          | 10          | 5    |                |                 |              |  |
| 7-969484-2  |      |        |          | 10          | 5    |                |                 |              |  |
| 6-969484-2  |      | 4      | 0.5      | 10          | 5    |                |                 |              |  |
| 5-969484-2  |      |        |          | 10          | 5    |                |                 |              |  |
| 4-969484-2  |      |        |          | 10          | 5    |                |                 |              |  |
| 3-969484-2  |      |        |          | 10          | 5    |                |                 |              |  |
| 2-969484-2  |      |        |          | 10          | 5    |                |                 |              |  |
| 1-969484-2  |      |        |          | 10          | 5    |                |                 |              |  |
| 0-969484-2  |      | 6      | 1        | 10          | 5    |                |                 |              |  |
| 9-969484-1  |      |        |          | 10          | 5    |                |                 |              |  |
| 8-969484-1  |      | 4      | 1        | 10          | 5    |                |                 |              |  |
| 7-969484-1  |      |        |          | 10          | 5    |                |                 |              |  |
| 6-969484-1  |      | 6      | 1        | 10          | 5    |                |                 |              |  |
| 5-969484-1  |      |        |          | 10          | 5    |                |                 |              |  |
| 4-969484-1  |      | 6      | 1        | 10          | 5    |                |                 |              |  |
| 3-969484-1  |      |        |          | 10          | 5    |                |                 |              |  |
| 2-969484-1  |      | 4      | 0.5      | 10          | 5    |                |                 |              |  |
| 1-969484-1  |      |        |          | 10          | 5    |                |                 |              |  |
| 0-969484-1  |      |        |          | 10          | 5    |                |                 |              |  |

THIS DRAWING IS A CONTROLLED DOCUMENT. DWG: Kishor M 18-10-07, CHK: K. Murtz 18-10-07, APVD: T. Klenner 18-10-07

DIMENSIONS: mm. TOLERANCES UNLESS OTHERWISE SPECIFIED: 0 PLC ±0.2, 1 PLC ±0.2, 2 PLC ±0.2, 3 PLC ±0.2, 4 PLC ±0.2, 5 PLC ±0.2, 6 PLC ±0.2, 7 PLC ±0.2, 8 PLC ±0.2, 9 PLC ±0.2, 10 PLC ±0.2, 11 PLC ±0.2, 12 ANGLE FINISH ±0.1

MATERIAL: SEE TABLES, SHEETS PAGE 2 AND 3 OF 4. WEIGHT: -. RESTRICTED TO: -. SCALE: 5:1. SHEET 2 OF 4. REV E1

STANDARD TIMER HSG. RAST 5 MARK II  
Standard Timer Gehäuse RAST 5 Mark II

SIZE: A1. CAGE CODE: 00779. DRAWING NO: 1241961. CUSTOMER DRAWING.

THIS DRAWING IS UNPUBLISHED. RELEASED FOR PUBLICATION  
 © COPYRIGHT 2011 ALL RIGHTS RESERVED.

| LOC | DIST | P | LTR | DESCRIPTION | DATE | DWN | APVD |
|-----|------|---|-----|-------------|------|-----|------|
|     |      |   |     | SEE SHEET 1 |      |     |      |

| SPECIAL VERSION: UL94 V0 & GWEPT 750°C NF |   |   |     |    |    |               |      |   |  |
|---|---|---|-----|----|----|---------------|------|---|--|
| 2364739-5                                 | 5 | 4 | 0.5 | 25 | 20 | PA66<br>13 17 | BLUE | C |  |
| 2364739-4                                 | 4 |   |     | 20 | 15 |               | BLUE | C |  |
| 1-2364739-3                               | 3 |   |     | 15 | 10 |               | BLUE | C |  |
| 2364739-3                                 | 3 |   |     | 15 | 10 |               | BLUE | C |  |
| 1-2364739-2                               | 2 |   |     | 10 | 5  |               | BLUE | C |  |
| 2364739-2                                 | 2 |   |     | 10 | 5  |               | BLUE | C |  |
| 3-2364739-2                               | 2 |   |     | 10 | 5  |               | BLUE | C |  |
| 2-2364739-2                               | 2 |   |     | 10 | 5  |               | BLUE | C |  |


| SPECIAL VERSION: UL94 V0 & GWT 750 NF & CTI 350 |   |   |   |    |    |         |         |   |  |
|---|---|---|---|----|----|---------|---------|---|--|
| 5-1241961-7                                     | 3 | 6 | 1 | 15 | 10 | PA66 13 | NATURAL | A |  |
| 1-1241961-9                                     | 3 |   |   | 15 | 10 |         | NATURAL | A |  |
| 7-1241961-7                                     | 3 |   |   | 15 | 10 |         | NATURAL | A |  |

| SPECIAL VERSION: UL94 V0 & GWT 750 NF |   |   |     |    |    |         |         |   |  |
|---------------------------------------|---|---|-----|----|----|---------|---------|---|--|
| 2322164-1                             | 4 | 4 | 0.5 | 20 | 15 | PA66 13 | NATURAL | 1 |  |

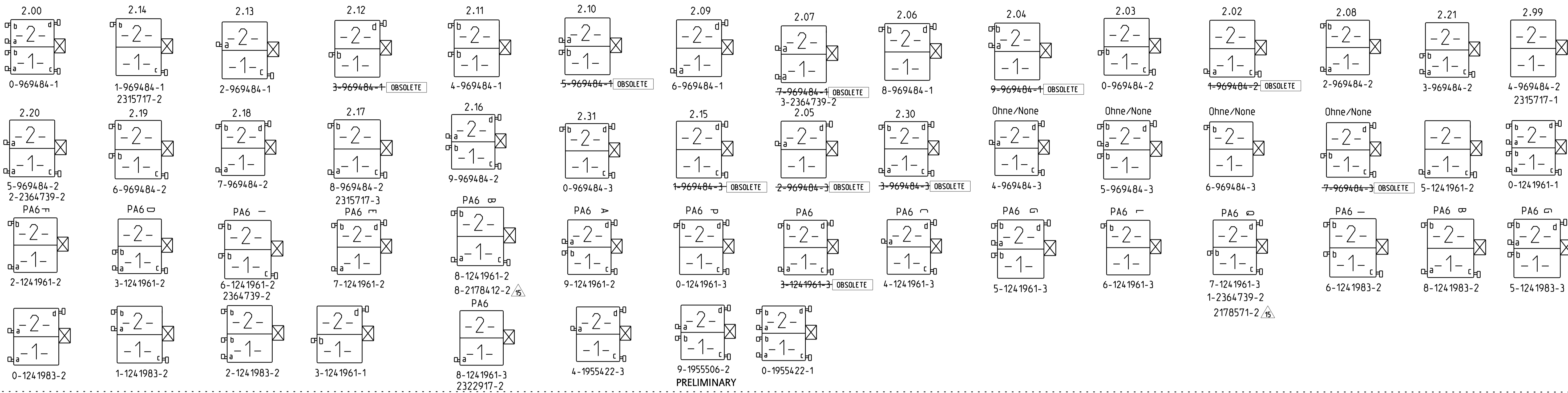
| SPECIAL VERSION: UL94 V2 & GWT 750 NF |   |   |     |    |    |             |         |   |  |
|---------------------------------------|---|---|-----|----|----|-------------|---------|---|--|
| 6-2178575-7                           | 3 | 4 | 0.5 | 15 | 10 | PA6 GF15 13 | NATURAL | A |  |

| SPECIAL VERSION: UL94 V0 & GWT 750 NF |   |   |   |    |    |                                 |         |   |  |
|---------------------------------------|---|---|---|----|----|---------------------------------|---------|---|--|
| 3-2178412-7                           | 3 | 6 | 1 | 15 | 10 | PA66 13<br>UL94 V0 & GWT 750 NF | NATURAL | 1 |  |
| 4-2178412-7                           | 3 |   |   | 15 | 10 |                                 | NATURAL | 1 |  |
| 8-2178412-2                           | 2 |   |   | 10 | 5  |                                 | NATURAL | 1 |  |

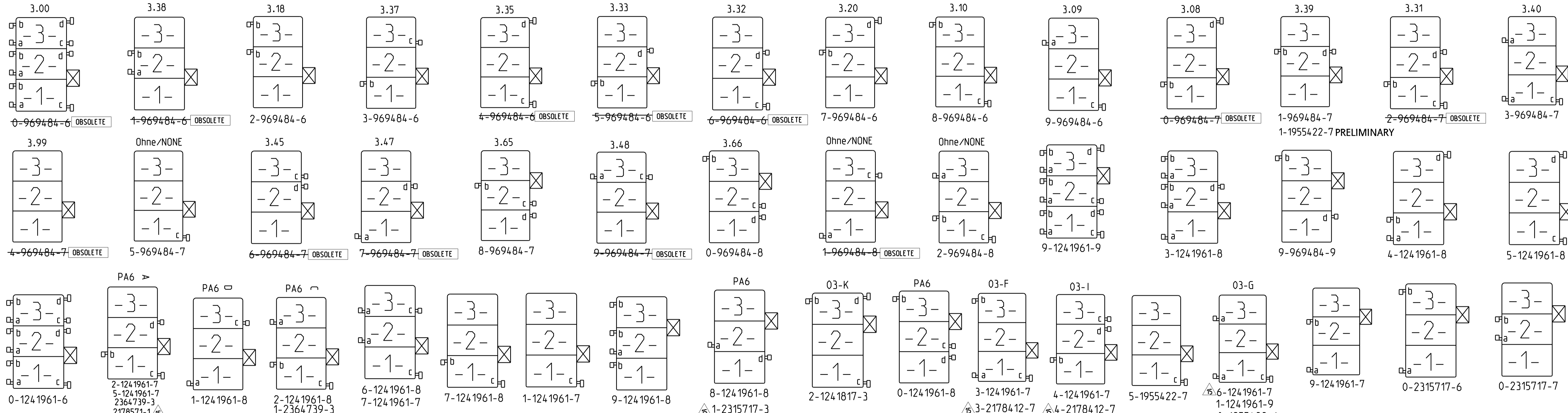
| UL94 V0 & GWT 750 NF |     |       |       |       |       |                                 |         |      |  |
|----------------------|-----|-------|-------|-------|-------|---------------------------------|---------|------|--|
| 2322917-4            | 4   | 4     | 0.5   | 20    | 15    | PA66 13<br>UL94 V0 & GWT 750 NF | NATURAL | C    |  |
| 2322917-2            | 2   |       |       | 10    | 5     |                                 | NATURAL | C    |  |
| 2315717-1            | 2   |       |       | 10    | 5     |                                 | NATURAL | C    |  |
| 2315717-2            | 2   |       |       | 10    | 5     |                                 | NATURAL | C    |  |
| 2315717-3            | 2   |       |       | 10    | 5     |                                 | NATURAL | C    |  |
| 2315717-4            | 4   |       |       | 20    | 15    |                                 | NATURAL | C    |  |
| 2315717-5            | 4   |       |       | 20    | 15    |                                 | NATURAL | C    |  |
| 2315717-6            | 3   |       |       | 15    | 10    |                                 | NATURAL | C    |  |
| 2315717-7            | 3   |       |       | 15    | 10    |                                 | NATURAL | C    |  |
| 1-2315717-3          | 3   |       |       | 15    | 10    |                                 | NATURAL | 1    |  |
| PART NO.             | POS | DIM C | DIM D | DIM A | DIM B | MATERIAL                        | COLOUR  | REV. |  |

|  |             |                            |   |
|--|-------------|----------------------------|---|
| THIS DRAWING IS A CONTROLLED DOCUMENT. |             | DWN: Kishor M 18-10-07     |  TE Connectivity |
| DIMENSIONS: mm                         |             | CHK: K. Munz 18-10-07      |   |
| TOLERANCES UNLESS OTHERWISE SPECIFIED: |             | APVD: Th. Klenner 18-10-07 | NAME: STANDARD TIMER HSG. RAST 5 MARK II  |
| 0 PLC ±0.2                             | 1 PLC ±0.2  | PRODUCT SPEC: 108-18049    | Standard Timer Gehäuse RAST 5 Mark II   |
| 2 PLC ±0.2                             | 3 PLC ±-    | APPLICATION SPEC: -        | SIZE: A1  |
| 4 PLC ±-                               | ANGLES: *°  | WEIGHT: -                  | CAGE CODE: 00779  |
| FINISH: -                              | MATERIAL: - | Customer Drawing           | DRAWING NO: 1241961   |
| SEE TABLES, SHEETS PAGE 2 AND 3 OF 4   |             |                            | RESTRICTED TO: -  |
|  |             |                            | SCALE: 5:1 SHEET 3 OF 4 REV E1  |

### 2 POSITION VARIANTS

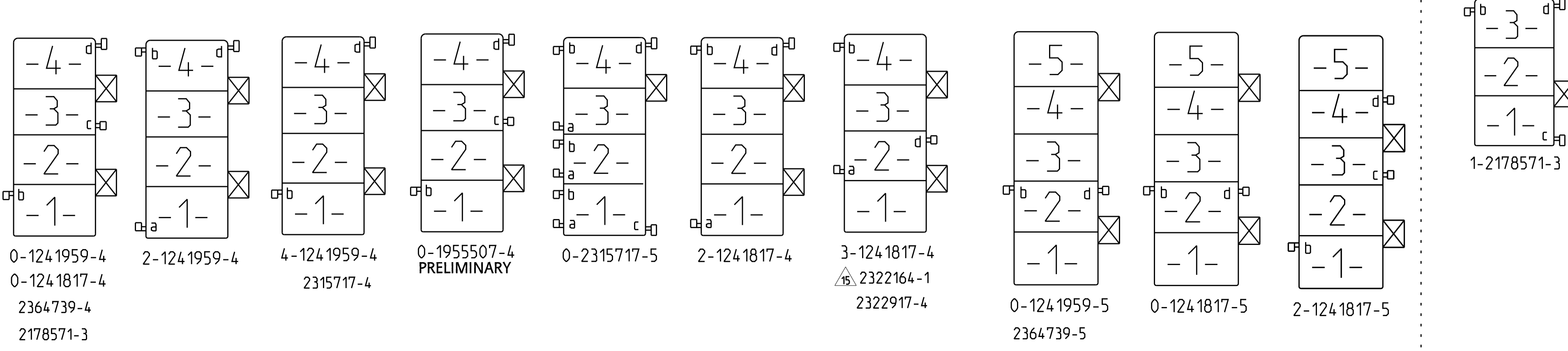


### 3 POSITION VARIANTS



### 4 POSITION VARIANTS

### 5 POSITION VARIANTS



|  |  |                           |                     |   |                  |
|--|--|---------------------------|---------------------|---|------------------|
| THIS DRAWING IS A CONTROLLED DOCUMENT.         |  | OWN: Kishor M 18-10-07    | <br>TE Connectivity | NAME: STANDARD TIMER HSG. RAST 5 MARK II<br>Standard Timer Gehäuse RAST 5 Mark II |                  |
| DIMENSIONS: mm                                 |  | CHK: K. Murtz 18-10-07    |                     | PRODUCT SPEC: 108-18049   | RESTRICTED TO: - |
| TOLERANCES UNLESS OTHERWISE SPECIFIED:         |  | APVD: T. Klenner 18-10-07 |                     | APPLICATION SPEC: -   | SIZE: A1         |
| MATERIAL: SEE TABLES. SHEETS PAGE 2 AND 3 OF 4 |  | WEIGHT: -                 |                     | DRAWING NO: 00779   | SCALE: 5:1       |

## X-ON Electronics

Largest Supplier of Electrical and Electronic Components

*Click to view similar products for [Automotive Connectors](#) category:*

*Click to view products by [TE Connectivity](#) manufacturer:*

Other Similar products are found below :

[003-018-000](#) [600858](#) [60403001](#) [60993906-B](#) [60993913-B](#) [629515004020001](#) [M83723/71R1808N L/C](#) [M902-2131](#) [M902-2161](#) [M902-2344](#)  
[72.330.1035.1](#) [73.353.4028.0](#) [F118010](#) [F119300-B](#) [F132210](#) [F166900](#) [F180100](#) [F258300](#) [F258300-B](#) [F294300-B](#) [F339100](#) [F339700](#)  
[F358300-B](#) [F374110](#) [F407400](#) [F412210](#) [F444110](#) [F487000](#) [F495100](#) [F500900-B](#) [F509500B-B](#) [770444-1](#) [827153-1](#) [881735-1](#)  
[8N1515-32-24P](#) [9-1326729-8](#) [925467-1](#) [925474-1](#) [928905-1](#) [936398-2](#) [964562-4](#) [964731-2](#) [968782-1](#) [GT17SA-8DS-HU](#) [GT17VS-10DP-](#)  
[5.2CF](#) [98315-0001](#) [98315-0010](#) [98891-1012](#) [98895-2014](#) [98936-1039](#)