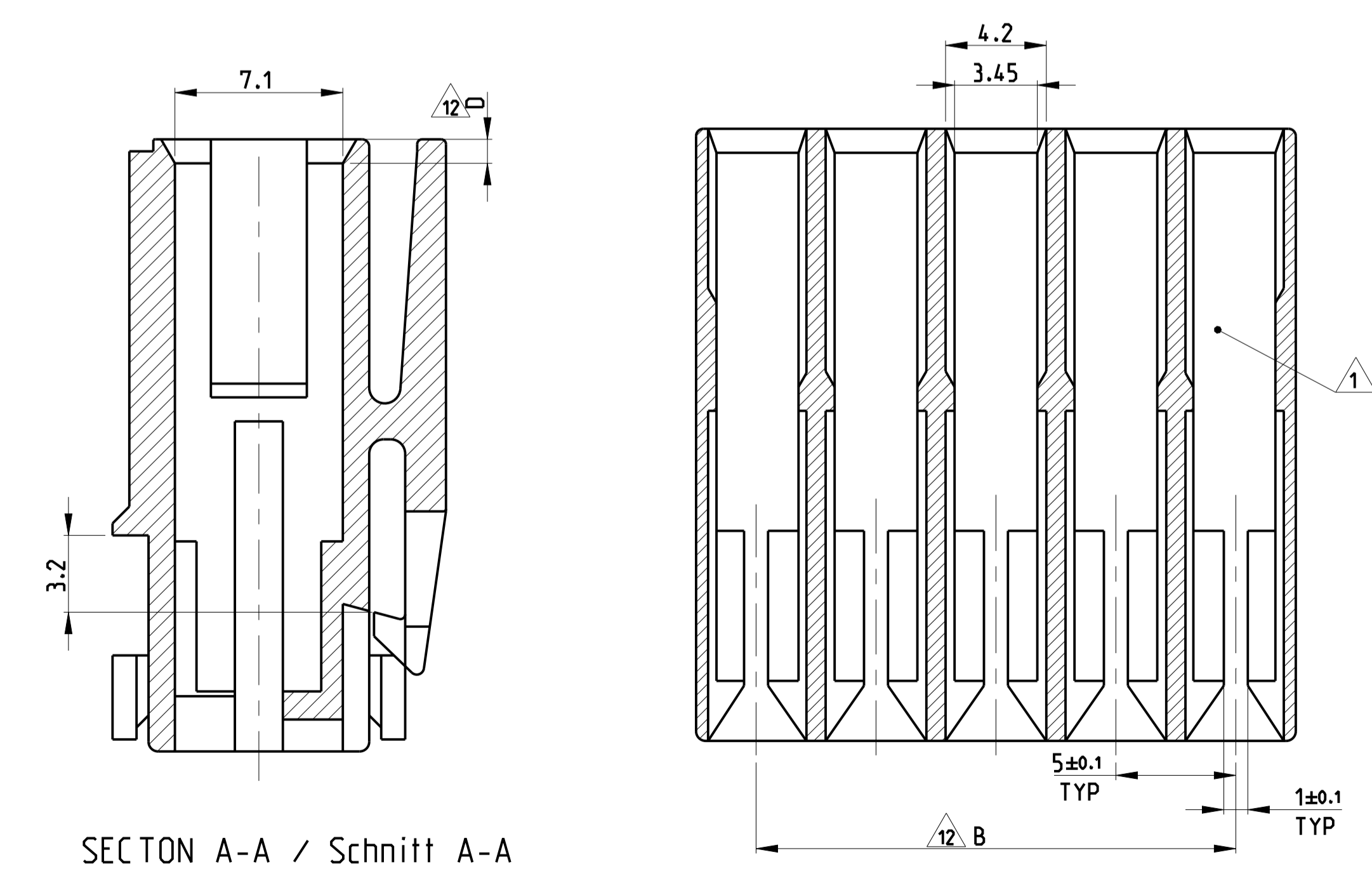
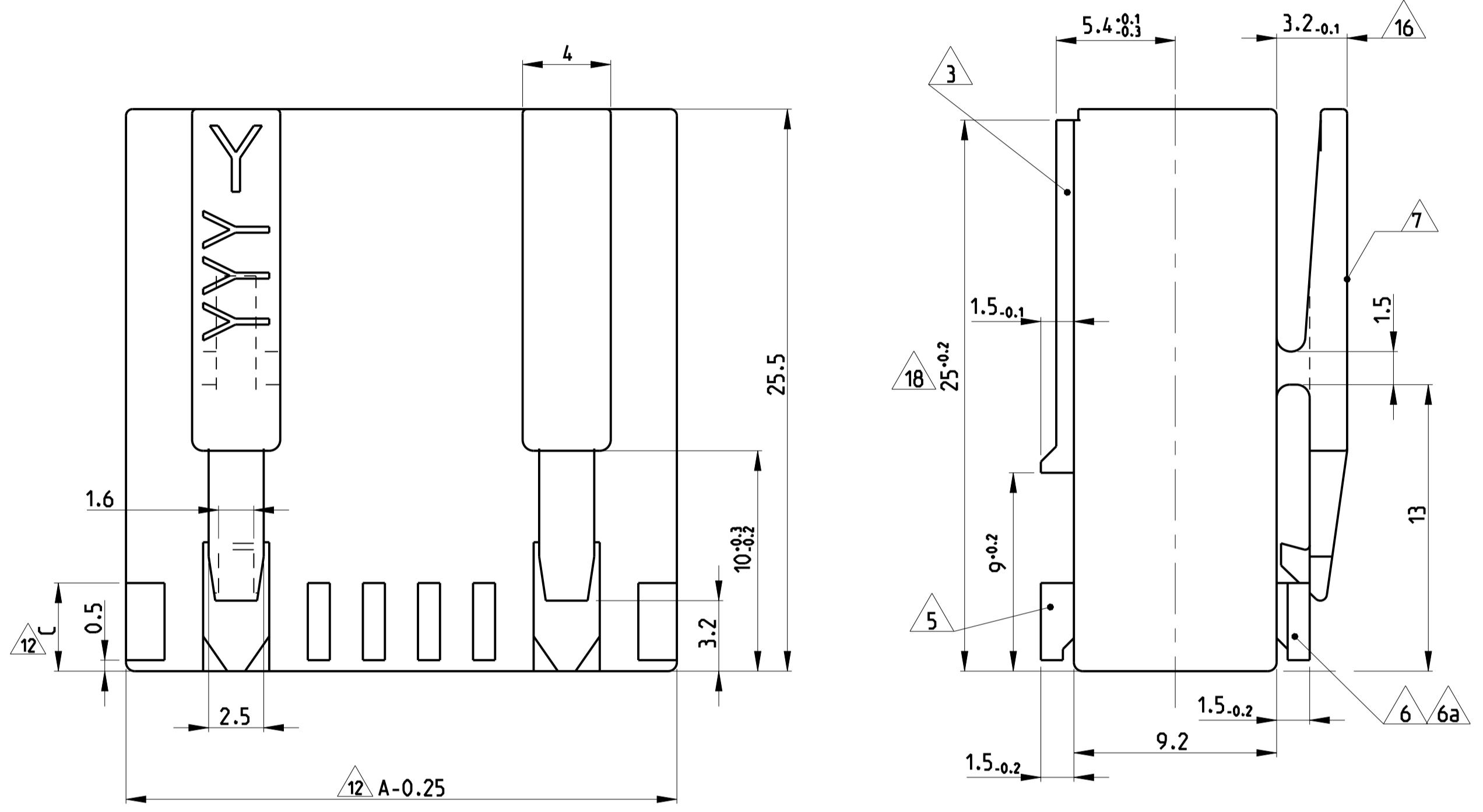
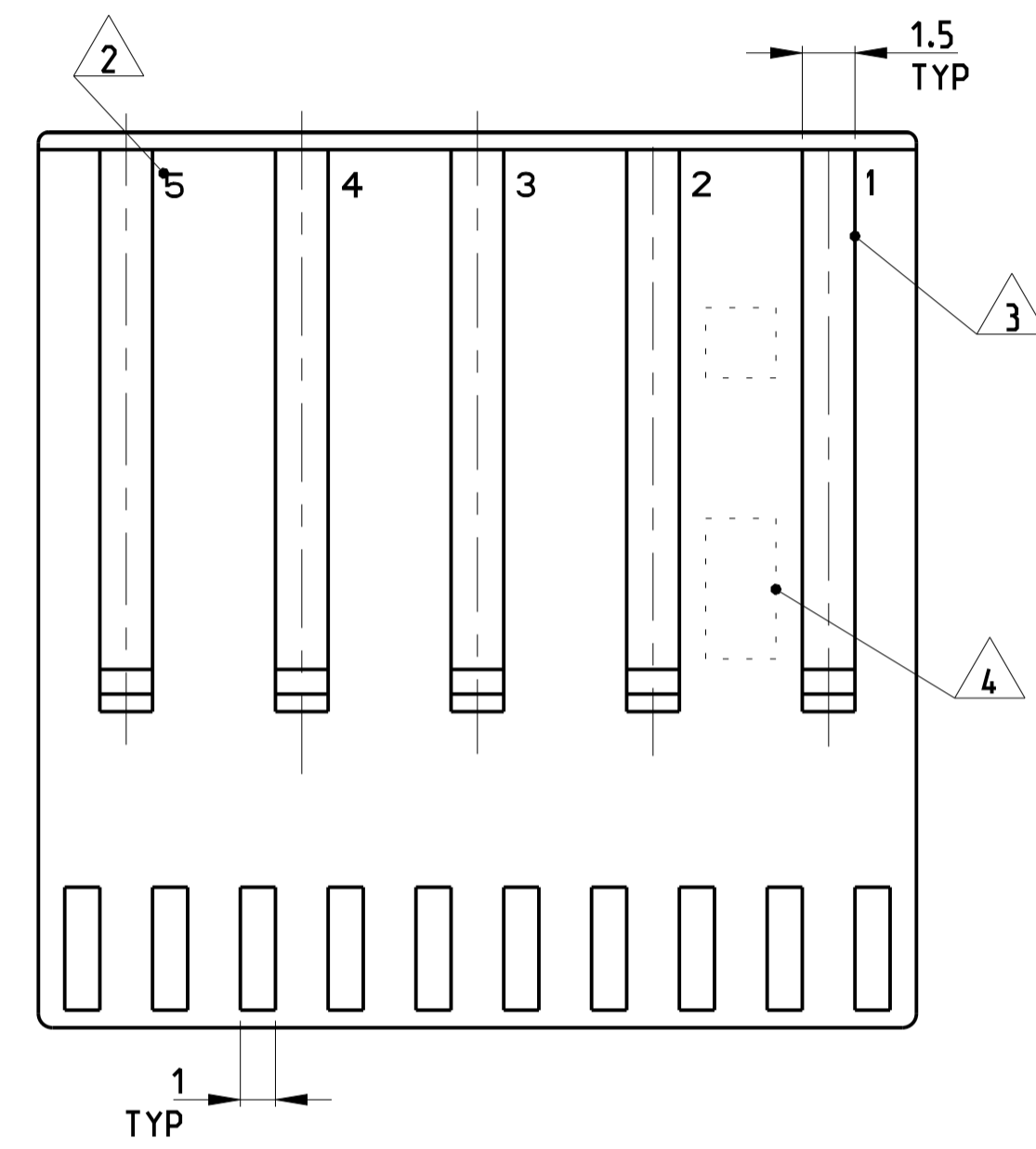
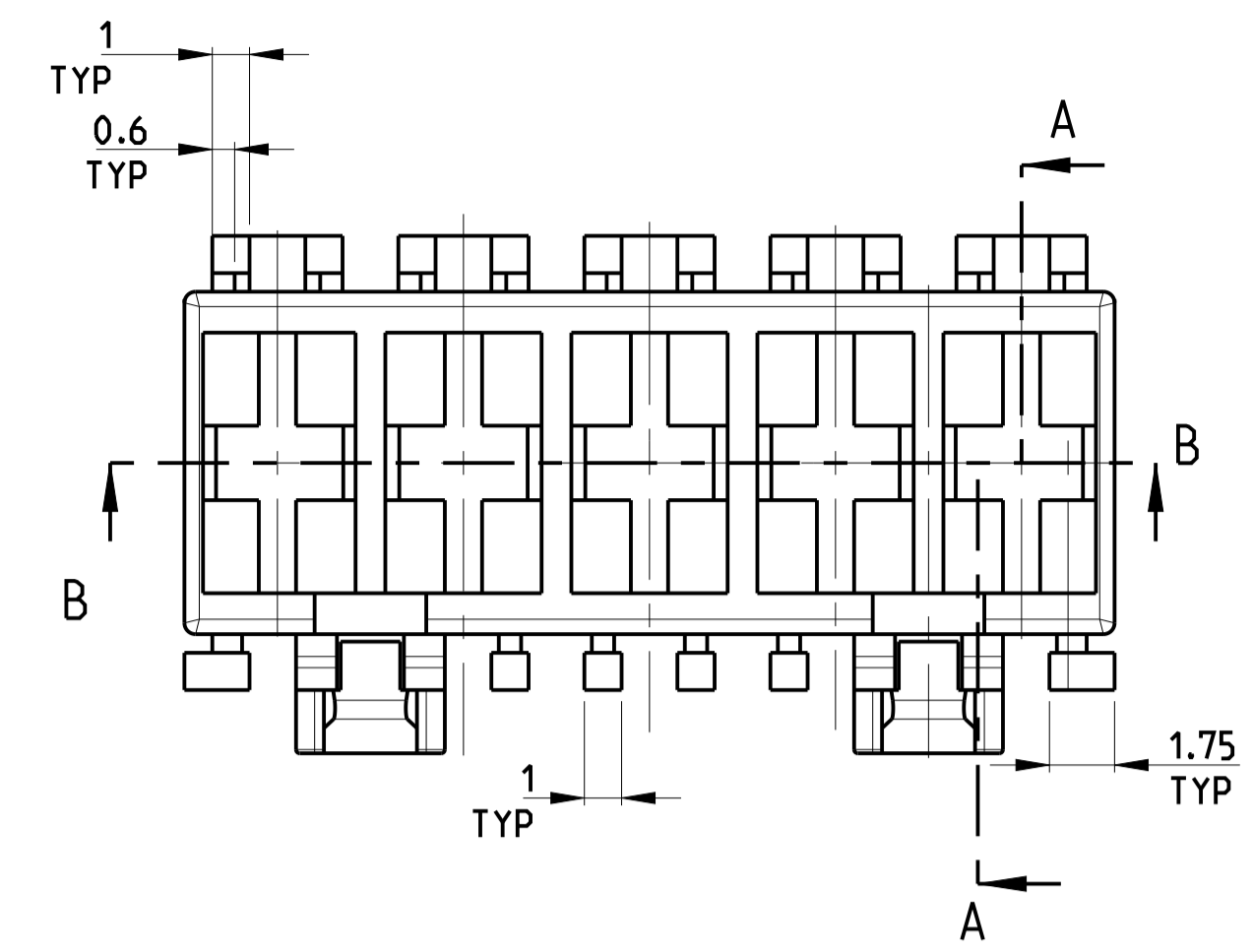
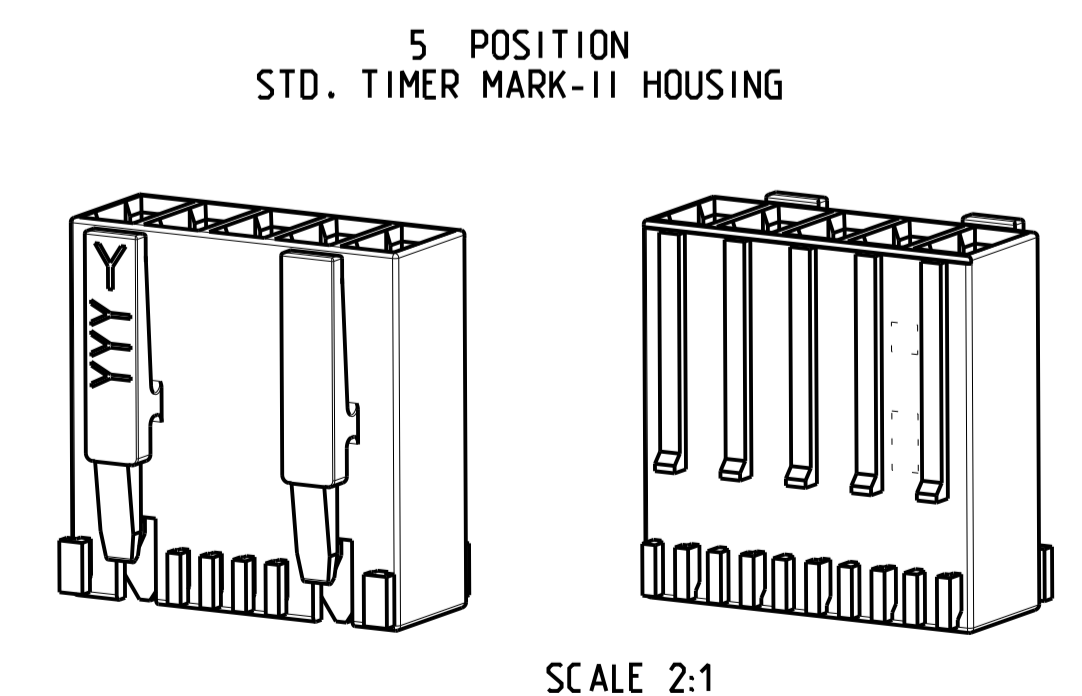


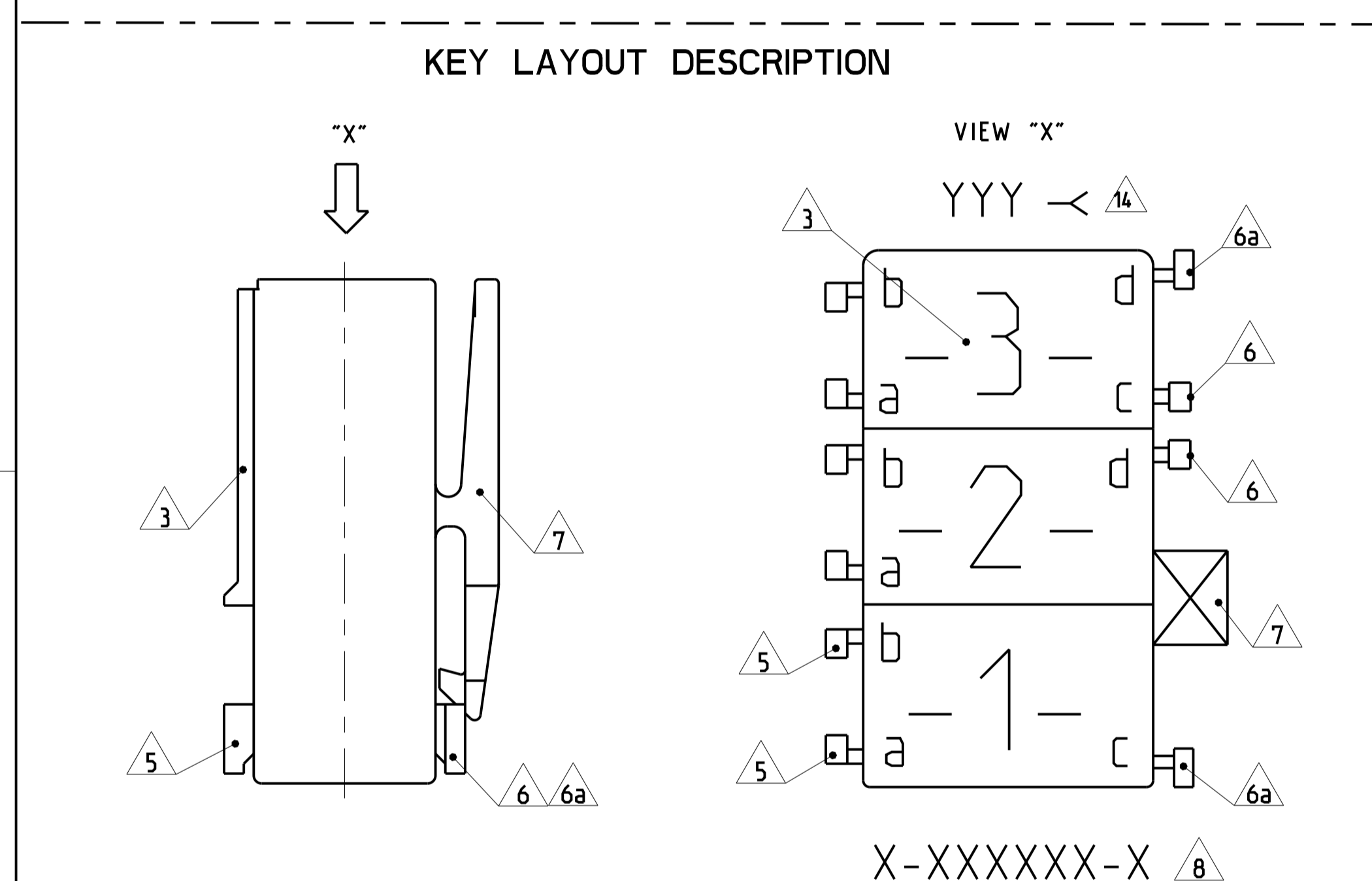
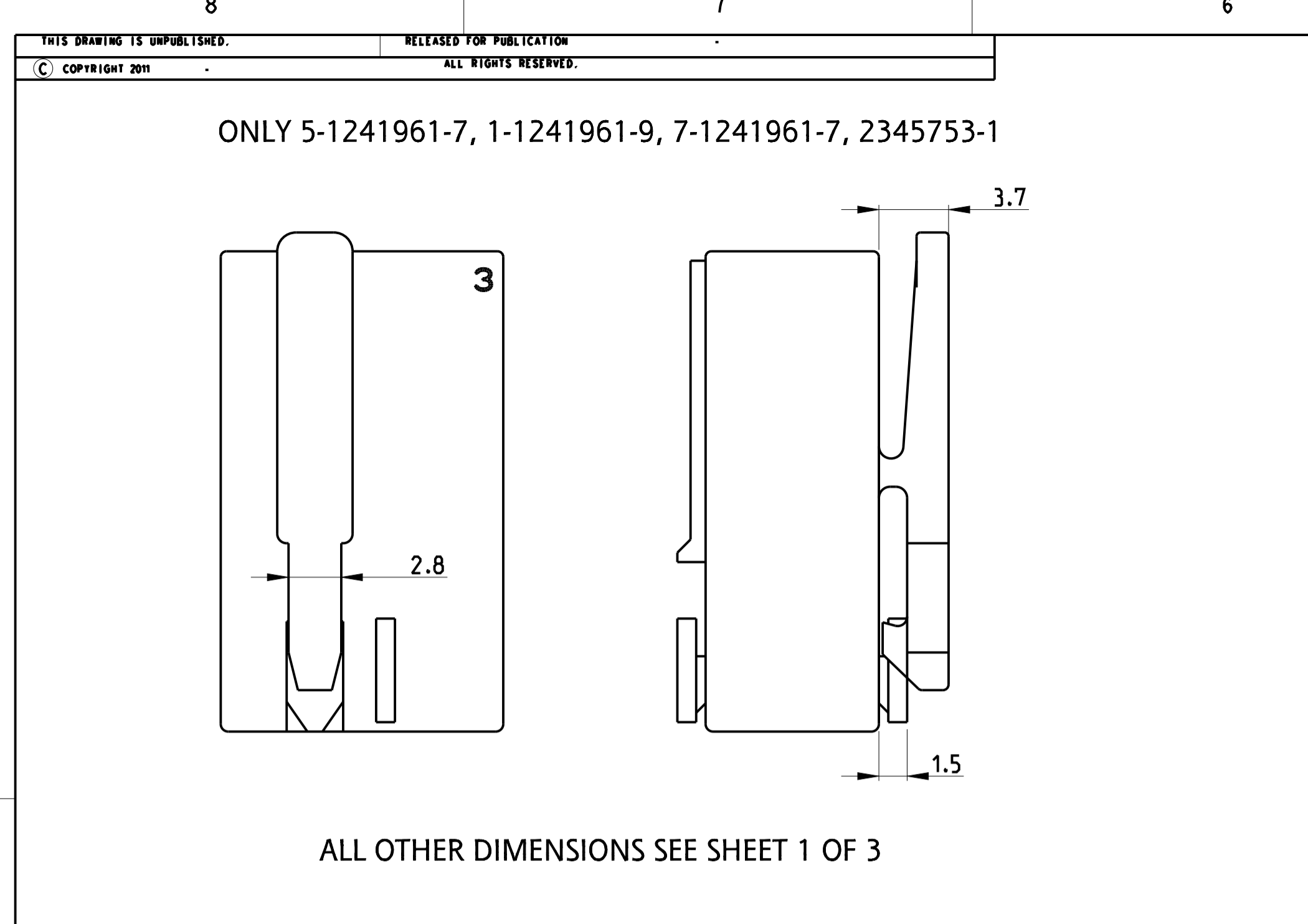
LOC		DIST		REVISIONS			
E1	ECR-21-100139			12 JAN 2021	KD	FL	
E2	ECR-21-100675			23 FEB 2021	KD	FL	
E3	ECR-21-102870			20 MAY 2021	SM	FL	
E4	ECR-21-103933			14 JUN 2021	PJ	FL	



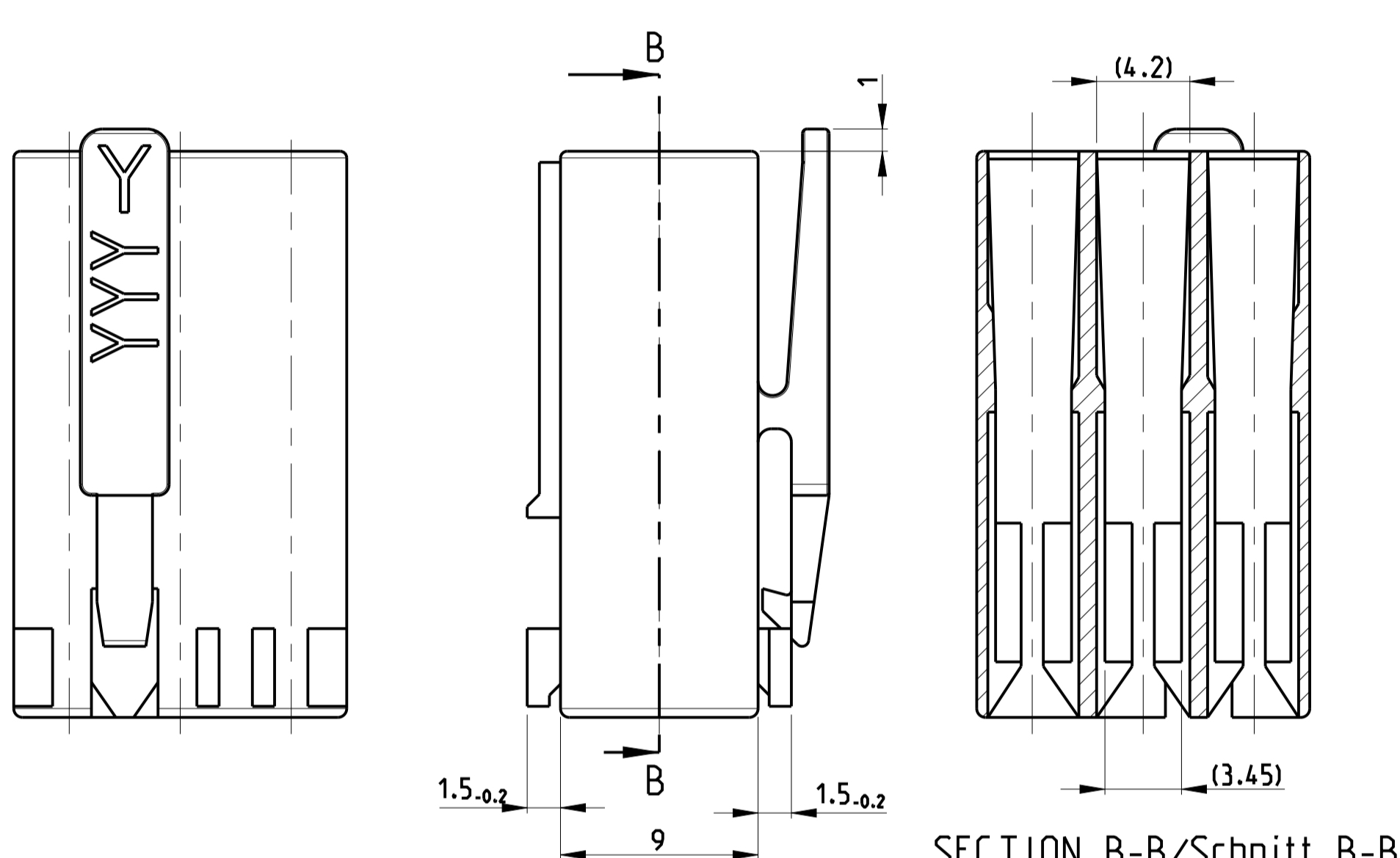
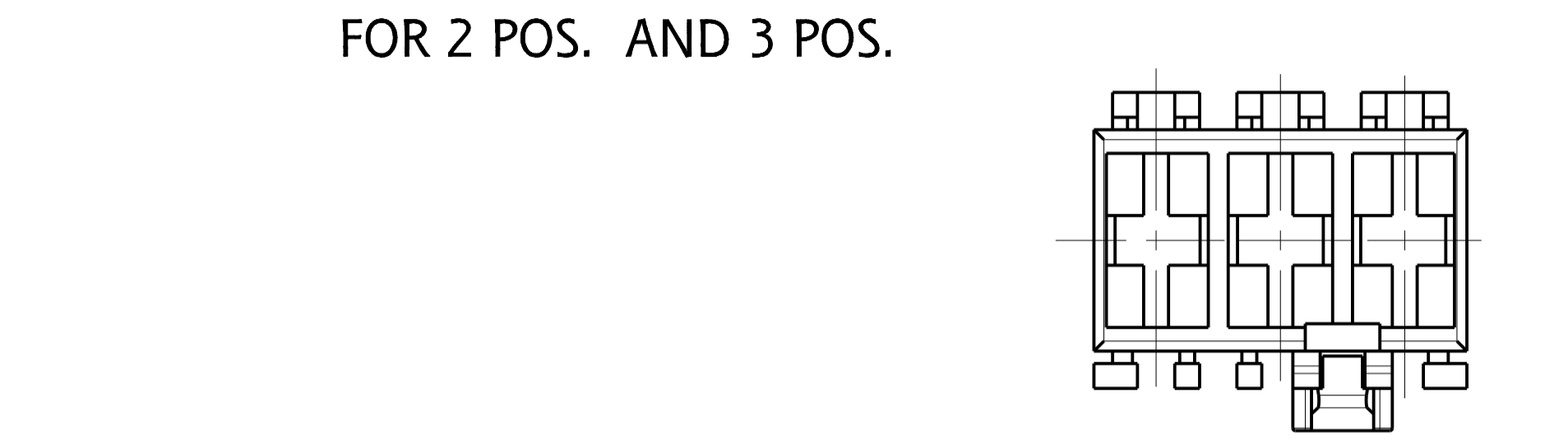
- REMARKS/Bemerkungen**
- 1 CAVITY SUITABLE FOR STANDARD TIMER CONTACTS LISTED IN PROD.SPEC. 108-18049. ITEM 3.3.2
Kammer geeignet für Standard Timer Kontakte gelistet in Prod. Spec. 108-18049. Punkt 3.3.2
 - 2 CONTACT CAVITY NO.
Kontaktkammernummerierung
 - 3 MATING STOP
Tiefenanschlag
 - 4 AREA FOR TE LOGO ACC. TO SPEC 202-36
Bereich für TE Logo nach Spec. 202-36
 - 5 POLARIZATION RIB POSITION "a" AND/OR "b"
Polarisierungsrippe Position "a" und/oder "b"
 - 6 KEYING RIB POSITION "c" AND/OR "d"
Kodierrippe Position "c" und/oder "d"
 - 6a KEYING RIB POSITION "c" AND/OR "d" AT THE END WALLS OF THE HOUSING
Kodierrippe Position "c" und/oder "d" an den Gehäusestirnseiten
 - 7 LOCKING LATCH
Rasthaken
 - 8 TE PART NO (PN)
TE Bestell Nr. (PN)
 - 9 DESIGN OF THE HOUSINGS ACC. TO RAST 5 STANDARD
Gehäuseausführung gemäss RAST 5 Vorgabe
 - 10 GENERAL SUITABLE TAB HEADER SEE RAST 5 PERFORMANCE
Generell passende Flachsteckerwannen siehe RAST 5 Vorgabe
 - 11 PACKAGING: BULK PACKAGING IN CORRUGATED BOX PN 740580-2
2 POS. 2500 PIECES PER BOX / 3 POS. 2000 PIECES PER BOX
Verpackung: Schüttgut in Versandkarton Pn 740580-2
2pol. 2500 Stück per Karton / 3pol. 2000 Stück per Karton
 - 12 DIMENSION A, B C AND D SEE SHEET 2 OF 3
 - 13 MATERIAL CORRESPONDS TO THE REQUIREMENT EN 60335
(INCL. GLOW WIRE TEST 750° WITHOUT FLAME)
Material entspricht den Anforderungen der EN 60335
(inkl. Glühdrahttest 750° ohne Flamme)
 - 14 RATIO NUMBER OF THE KEYING VERSION, INKJET PRINTED. SEE SHEET 2
Kodierungskennnummer, mit Tintenstrahldrucker aufgebracht. siehe Blatt 2
 - 15 PRELIMINARY- NOT RELEASED FOR PRODUCTION
 - 16 ONLY FOR 9-1241961-7. DIMENSION 3.2 -0.2
 - 17 DOUBLE SOURCE RESIN: ALTERNATIVE RESIN UNDER APPROVAL
 - 18 ALLOWED 25±0.2 FOR P/NS X-2364739-X.



THIS DRAWING IS A CONTROLLED DOCUMENT.		DWG: Kishor M 18-10-07		TE Connectivity	
DIMENSIONS: mm		CHK: K. MURZ 18-10-07		NAME: STANDARD TIMER HSG. RAST 5 MARK II	
TOLERANCES UNLESS OTHERWISE SPECIFIED:		APPD: T. Klöpper 18-10-07	PRODUCT SPEC: 108-18049-1		
0 PLC ±0.2 1 PLC ±0.2 2 PLC ±0.2 3 PLC ±0.2 4 PLC ±0.2 5 PLC ±0.2 ANGLES ±° FINISH -		PRODUCT SPEC: 108-18049-1 APPLICATION SPEC:	SIZE: A1 CAGE CODE: 00779 DRAWING NO: 1241961 RESTRICTED TO:		
MATERIAL: SEE TABLES, SHEETS PAGE 2 AND 3 OF 4		WEIGHT: -	Customer Drawing		
4805 13/111		SCALE: 5:1	SHEET 1 OF 4		REV E4



PAY ATTENTION !
DIFFERENT CAVITY GEOMETRY AND LOCKING LATCH OVERHANG
Bitte beachten !
Unterschiedliche Kammergeometrie und Rasthakenüberstand.



ALL OTHER DIMENSIONS SEE SHEET 1 OF 3
Alle anderen Masse siehe Seite 1 von 3

SPECIAL MATERIAL: UL94 V0								
2345753-1	3	6	1	15	10	PA66	NATURAL	C

SPECIAL MATERIAL								
1955507-4	4	6	1	20	15	PA66	NATURAL	1
9-1955506-2	2	6	1	10	5	UL 94 V0	NATURAL	1

PART NO	POS.	DIM C	DIM D	DIM A	DIM B	MATERIAL	COLOUR	REV./Rev.
6-1241961-7	3			15	10	PA 6 UL94V-2	NATURAL Δ_{13}	1
4-1241961-7	3			15	10	PA 6 UL94V-2	NATURAL Δ_{13}	A
3-1241961-7	3	4	0.5	15	10	PA 6 UL94V-2	NATURAL Δ_{13}	A
1-1955422-7	3			15	10	PA 66 UNFILLED UL94 V0	NATURAL	A
5-1955422-7	3			15	10	PA 66 UNFILLED UL94 V0	NATURAL	A
4-1955422-3	2	6	1	10	5	PA 66 UNFILLED UL94 V0	NATURAL	A
2-1241817-3	3	4 or 6	0.5 or 1	15	10	PA 66 UL94 V-2	Green	E
0-1955422-6	3			15	10	PA 66 UNFILLED UL94 V0	NATURAL	A
8-1241961-8	3			15	10	PA 6 UL94V-2	natural Δ_{13}	C
0-1241961-8	3			15	10			
8-1241961-3	2	4	0.5	10	5	PA 6 UL94V-2	NATURAL Δ_{13}	C
3-1241961-1	2			10	5			
0-1955422-1	2			10	5	PA 66 UNFILLED UL94 V0	NATURAL	A

SPECIAL VERSION: UL94 V0 & GWT 750NF								
2178571-3	4			20	15	PA 66, UL94 V-0	NATURAL	
2178571-1	3			15	10	PA 66, UL94 V-0	NATURAL	
2178571-2	2	4	1	10	5	PA 66, UL94 V-0	NATURAL	
1-2178571-3	3			15	10	PA 66, UL94 V-0	NATURAL	
PART NO	POS	DIM C	DIM D	DIM A	DIM B	MATERIAL	COLOUR	Farbe

		REVOLUTIONS						SEE SHEET-01					
		LOC	DIST	P	LTR	DESCRIPTION			DATE	DWR	APVD		
OBSOLETE	0-1241959-5	5				25	20	PA 6 UL94V-2 Δ_{13}	Natural/natur		B		
	4-1241959-4	4	4	0.5	20	15	A						
	2-1241959-4	4			20	15	B						
	0-1241959-4	4			20	15							
OBSOLETE	2-1241817-5	5	6	1	25	20	PA 6.6 UL94V-2	Natural/natur Black/schwarz Violet/violett Grey/grau		C			
	0-1241817-5	4	0.5	25	20								
	3-1241817-4	4			20	15							
	2-1241817-4	4	6	1	20	15							
OBSOLETE	0-1241817-4	4			20	15	PA 6 UL94V-2 Δ_{13}	Green/grün Violet/violett TARGET RAL 4001 Yellow/gelb Black/schwarz Blue/blau Red/rot		C			
	2-1241983-2				10	5							
	1-1241983-2				10	5							
	0-1241983-2	2	4	0.5	10	5							
OBSOLETE	9-1241961-7		4	0.5	15	10	PA 6 UL94V-2 Δ_{13}	Natural/natur		C			
	9-1241961-8		4	0.5	15	10							
	6-1241961-8		4	0.5	15	10							
	5-1241961-8		4	0.5 or 1	15	10							
	4-1241961-8		4	0.5	15	10							
	7-1241961-8		4	0.5 or 1	15	10							
	1-1241961-8		4	0.5 or 1	15	10							
	3-1241961-8		6	1	15	10							
	2-1241961-8				15	10							
	2-1241961-7				15	10							
	1-1241961-7		4	0.5	15	10							
	9-1241961-9				15	10							
0-1241961-6				15	10								
OBSOLETE	2-1241961-2				10	5	PA 6 UL94V-2 Δ_{13}	Natural/natur		C			
	5-1241961-2				10	5							
	4-1241961-3				10	5							
	7-1241961-2				10	5							
	7-1241961-3				10	5							
	6-1241961-3				10	5							
	3-1241961-2				10	5							
	5-1241961-3				10	5							
	6-1241961-2				10	5							
	0-1241961-3				10	5							
	8-1241961-2				10	5							
	9-1241961-2				10	5							
OBSOLETE	9-969484-9	3	6	1	15	10	PA 6.6 UL94V-2	Yellow/gelb		H			
	2-969484-8				15	10							
	0-969484-8		4 or 6	0.5 or 1	15	10							
	9-969484-7				15	10							
	8-969484-7		4	0.5	15	10							
	7-969484-7				15	10							
	6-969484-7				15	10							
	5-969484-7		4	0.5	15	10							
	4-969484-7				15	10							
	3-969484-7		4	0.5	15	10							
	2-969484-7		4	0.5	15	10							
	1-969484-7		3	4	0.5	15					10		
0-969484-7				15	10								
9-969484-6				15	10								
8-969484-6		6	1	15	10								
7-969484-6				15	10								
6-969484-6				15	10								
5-969484-6				15	10								
4-969484-6				15	10								
3-969484-6				15	10								
2-969484-6		6	1	15	10								
1-969484-6				15	10								
0-969484-6				15	10								
OBSOLETE	7-969484-3				10	5	PA 6 UL94V-2	Natural/natur		H			
	6-969484-3				10	5							
	5-969484-3		4	0.5	10	5							
	4-969484-3				10	5							
	3-969484-3				10	5							
	2-969484-3				10	5							
	1-969484-3				10	5							
	0-969484-3				10	5							
	9-969484-2				10	5							
	8-969484-2				10	5							
	7-969484-2				10	5							
	6-969484-2		4	0.5	10	5							
5-969484-2				10	5								
4-969484-2				10	5								
3-969484-2				10	5								
2-969484-2				10	5								
1-969484-2				10	5								
0-969484-2				10	5								
OBSOLETE	9-969484-1				10	5	PA 6 UL94V-2	Natural/natur		H			
	8-969484-1		6	1	10	5							
	7-969484-1		4	1	10	5							
	6-969484-1		6	1	10	5							
OBSOLETE	5-969484-1				10	5	PA 6 UL94V-2	Natural/natur		H			
	4-969484-1		6	1	10	5							
	3-969484-1				10	5							
	2-969484-1		4	0.5	10	5							
1-969484-1				10	5								
0-969484-1				10	5								

THIS DRAWING IS A CONTROLLED DOCUMENT.

DIMENSIONS: mm

TOLERANCES UNLESS OTHERWISE SPECIFIED:

0 PLC	±0.2
1 PLC	±0.2
2 PLC	±0.2
3 PLC	±0.2
4 PLC	±0.2
FINISH	±*

MATERIAL: SEE TABLES. SHEETS PAGE 2 AND 3 OF 4

APPROVED: K. Kishor M. 18-10-07, K. Murtz. 18-10-07, T. Klenner. 18-10-07

STANDARD TIMER HSG. RAST 5 MARK II
Standard Timer Gehäuse RAST 5 Mark II

SIZE: A1, CODE: 00779, DRAWING NO: C-1241961, RESTRICTED TO: -

Customer Drawing, SCALE: 5:1, SHEET 2 OF 4, REV E4

LOC	DIST	REVISIONS			
P	LTN	DESCRIPTION	DATE	DWN	APVD
		SEE SHEET 1			

SPECIAL VERSION: UL94 V0 & GWEPT 750°C NF

Part No.	POS	Dim C	Dim D	Dim A	Dim B	Material	Colour	Rev.
2364739-5	5	4	0.5	25	20	PA66 13 17	BLUE	C
2364739-4	4			20	15		BLUE	C
1-2364739-3	3			15	10		BLUE	C
2364739-3	3			15	10		BLUE	C
1-2364739-2	2			10	5		BLUE	C
2364739-2	2			10	5		BLUE	C
3-2364739-2	2			10	5		BLUE	C
2-2364739-2	2			10	5		BLUE	C

SPECIAL VERSION: UL94 V0 & GWT 750 NF & CTI 350

Part No.	POS	Dim C	Dim D	Dim A	Dim B	Material	Colour	Rev.
5-1241961-7	3	6	1	15	10	PA66 13	NATURAL	A
1-1241961-9	3			15	10		NATURAL	A
7-1241961-7	3			15	10		NATURAL	A

SPECIAL VERSION: UL94 V0 & GWT 750 NF

Part No.	POS	Dim C	Dim D	Dim A	Dim B	Material	Colour	Rev.
2322164-1	4	4	0.5	20	15	PA66 13	NATURAL	1

SPECIAL VERSION: UL94 V2 & GWT 750 NF

Part No.	POS	Dim C	Dim D	Dim A	Dim B	Material	Colour	Rev.
6-2178575-7	3	4	0.5	15	10	PA6 GF15 13	NATURAL	A

SPECIAL VERSION: UL94 V0 & GWT 750 NF

Part No.	POS	Dim C	Dim D	Dim A	Dim B	Material	Colour	Rev.
3-2178412-7	3	6	1	15	10	PA66 13 UL94 V0 & GWT 750 NF	NATURAL	1
4-2178412-7	3			15	10		NATURAL	1
8-2178412-2	2			10	5		NATURAL	1

UL94 V0 & GWT 750 NF

Part No.	POS	Dim C	Dim D	Dim A	Dim B	Material	Colour	Rev.			
2322917-4	4	4	0.5	20	15	PA66 13 UL94 V0 & GWT 750 NF	NATURAL	C			
2322917-2	2			10	5		NATURAL	C			
2315717-1	2			10	5		NATURAL	C			
2315717-2	2			10	5		NATURAL	C			
2315717-3	2			10	5		NATURAL	C			
1-2315717-2	2			10	5		NATURAL	1			
2-2315717-2	2			10	5		NATURAL	1			
2315717-4	4			20	15		NATURAL	C			
2315717-5	4			20	15		NATURAL	C			
2315717-6	3			15	10		NATURAL	C			
2315717-7	3			15	10		NATURAL	C			
1-2315717-3	3			15	10		NATURAL	E			
PART NO.	POS			DIM C	DIM D		DIM A	DIM B	MATERIAL	COLOUR	REV.

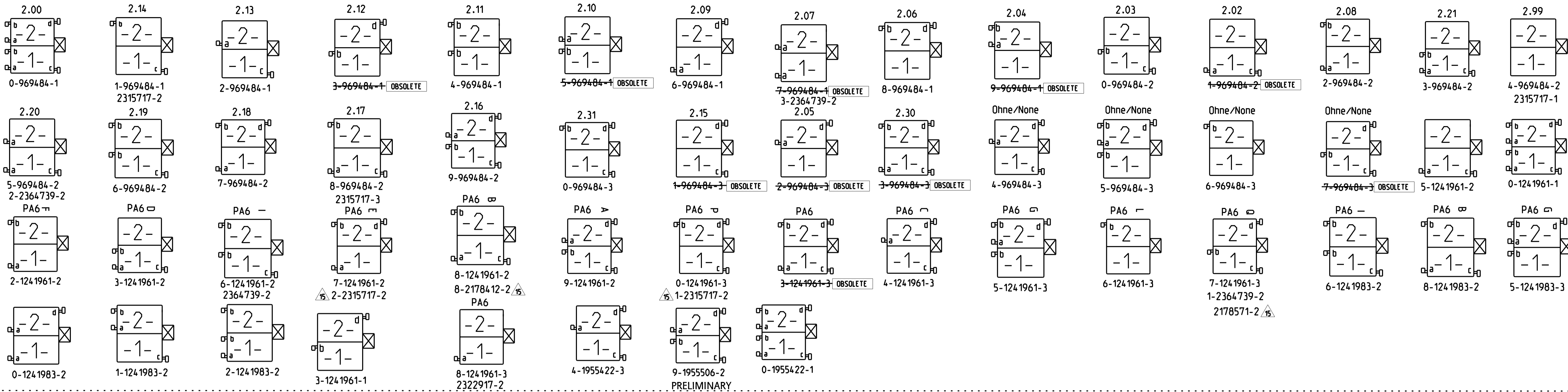
THIS DRAWING IS A CONTROLLED DOCUMENT.

DIMENSIONS: mm	TOLERANCES UNLESS OTHERWISE SPECIFIED:	DRW: Kishor M 18-10-07	CHK: K. Muniz 18-10-07	APVD: T. Klenner 18-10-07	NAME: STANDARD TIMER HSG. RAST 5 MARK II Standard Timer Gehäuse RAST 5 Mark II
0 PLC ±0.2	1 PLC ±0.2	2 PLC ±0.2	3 PLC ±0.2	4 PLC ±	PRODUCT SPEC: 108-18049
ANGLES: *	FINISH: -	WEIGHT: -	SCALE: 5:1	SHEET: 3 OF 4	REV: E4

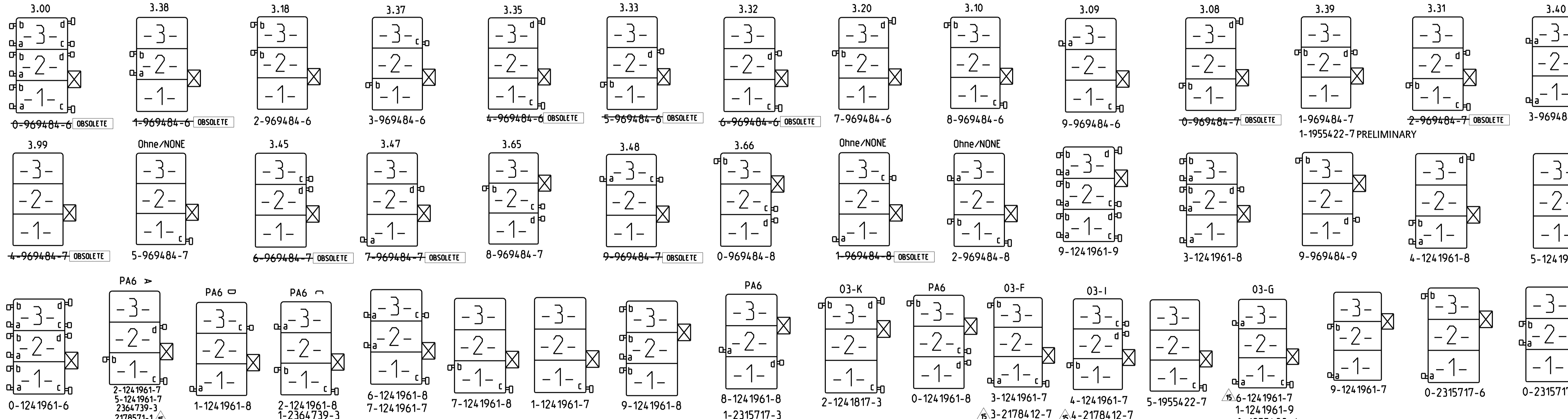
Customer Drawing

REVISONS		DATE	BY	APPD
1	SEE SHEET-01			

2 POSITION VARIANTS

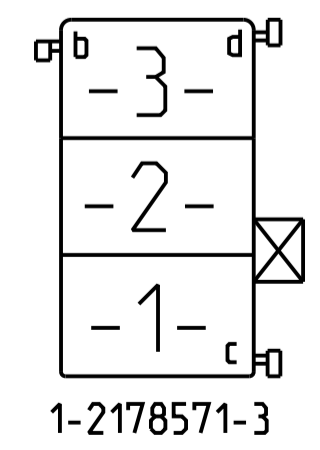
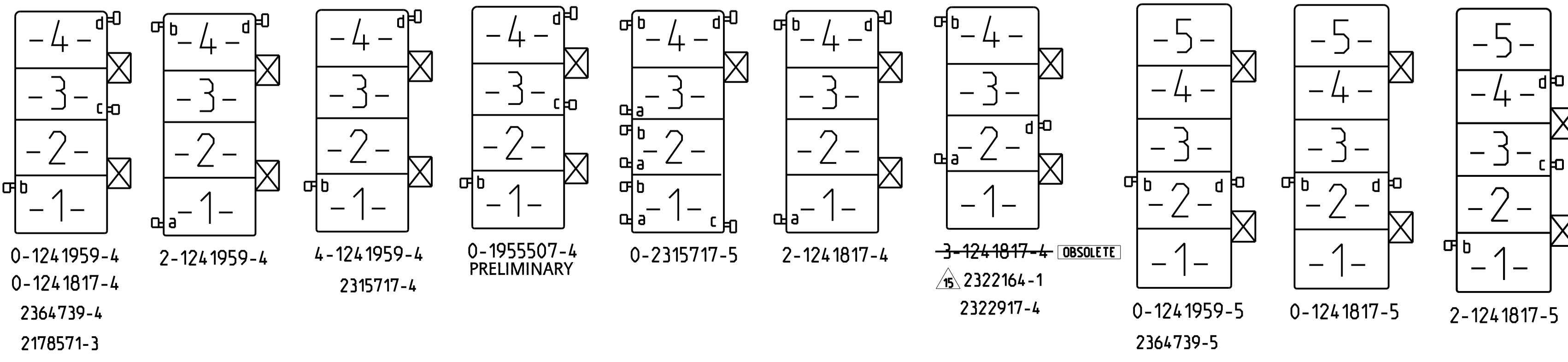


3 POSITION VARIANTS



4 POSITION VARIANTS

5 POSITION VARIANTS



THIS DRAWING IS A CONTROLLED DOCUMENT.		DRW: Kishor M. 18-10-07	 TE Connectivity	NAME: STANDARD TIMER HSG. RAST 5 MARK II Standard Timer Gehäuse RAST 5 Mark II
DIMENSIONS: mm		CHK: K. Murtz 18-10-07		PRODUCT SPEC: 108-18049
TOLERANCES UNLESS OTHERWISE SPECIFIED:		APPD: T. Klöpper 18-10-07	APPLICATION SPEC: -	SIZE: A1
MATERIAL: SEE TABLES. SHEETS PAGE 2 AND 3 OF 4		WEIGHT: -	Customer Drawing	RESTRICTED TO: -
SCALE: 5:1		SHEET 4 OF 6		REV: E4

X-ON Electronics

Largest Supplier of Electrical and Electronic Components

Click to view similar products for [Automotive Connectors](#) category:

Click to view products by [TE Connectivity](#) manufacturer:

Other Similar products are found below :

[003-018-000](#) [60403001](#) [60993906-B](#) [M902-2131](#) [M902-2161](#) [M902-2344](#) [72.330.1035.1](#) [73.353.4028.0](#) [F119300-B](#) [F166900](#) [F258300-B](#)
[F358300-B](#) [F407400](#) [F444110](#) [F487000](#) [F509500B-B](#) [827153-1](#) [8N1515-32-24P](#) [9-1326729-8](#) [925474-1](#) [928905-1](#) [964562-4](#) [968782-1](#)
[GT17SA-8DS-HU](#) [98891-1012](#) [98947-1016](#) [12004147](#) [12004475-L](#) [12010290](#) [12010309-B](#) [12015454](#) [12020219-B](#) [12041318-B](#) [12052225-](#)
[L](#) [12052466](#) [12064869](#) [12004327-B](#) [12015308](#) [12015384](#) [12015909](#) [1-21030-1](#) [12041254](#) [12041318](#) [12047946-B](#) [12047957](#) [12047957-L](#)
[12059473](#) [12066261](#) [12110546](#) [12110546-B](#)