

4

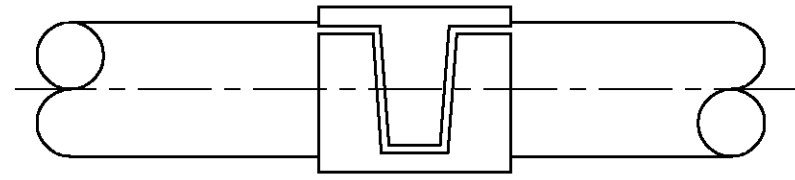
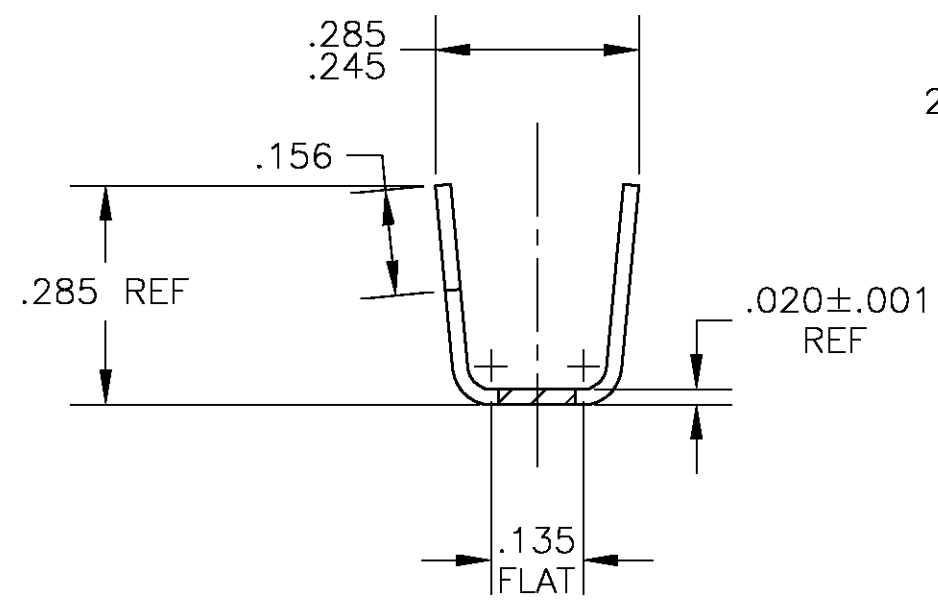
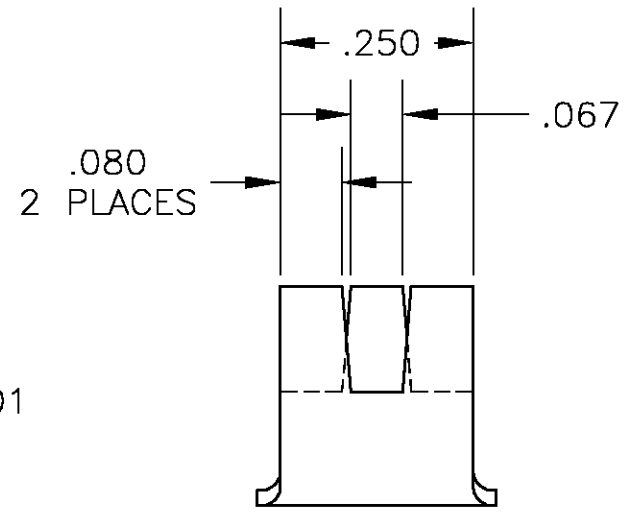
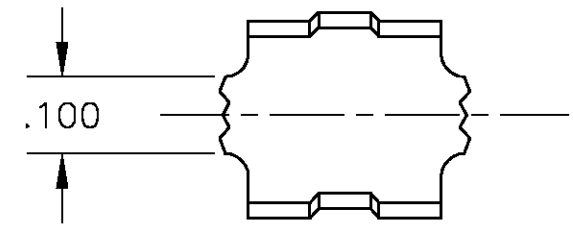
3

2

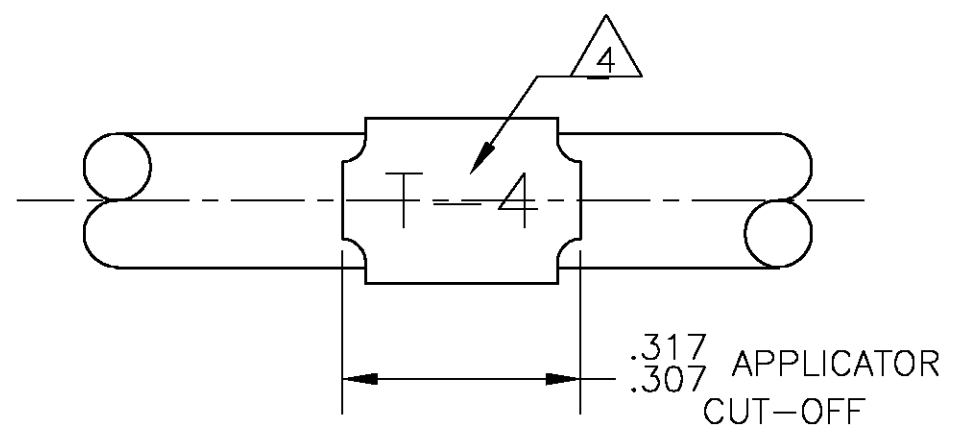
1

THIS DRAWING IS UNPUBLISHED. RELEASED FOR PUBLICATION  
 © COPYRIGHT 1972 BY TYCO ELECTRONICS CORPORATION. ALL RIGHTS RESERVED.

LOC	DIST	REVISIONS					
		P	LTR	DESCRIPTION	DATE	DWN	APVD
AF	50		M	REL PER 0G3A-0714-04	14SEP04	JR	GP



TOP VIEW



BOTTOM VIEW

- 1 CONTINUOUS STRIP ON REELS.
- △2 RED ANODIZED PER MIL STD #104A.
- △3 YELLOW ANODIZED PER MIL STD #104A.
- △4 ALPHANUMERIC CODING MAY BE STAMPED IN THIS AREA IN APPLICATOR. CUSTOMER TO SPECIFY WHEN ORDERING. (1 - 3 DIGITS OR LETTERS)
- △5 SPLICE FREE REELING

	-	.125-.220 DIA	△5 41276-3
OBSOLETE	△3	.125-.220 DIA	41276-2
OBSOLETE	△2	.125-.220 DIA	41276-1
	-	.125-.220 DIA	41276
	FINISH	INSULATION RANGE	PART NUMBER

THIS DRAWING IS A CONTROLLED DOCUMENT.		DWN MICHAEL S. FEHER 17SEP2002	Tyco Electronics Corporation Harrisburg, PA 17105-3608	
DIMENSIONS: INCHES		CHK GARY PORTA 17SEP2002	Tyco Electronics	
TOLERANCES UNLESS OTHERWISE SPECIFIED:		APVD GARY PORTA 17SEP2002	NAME	
0 PLC ± -		PRODUCT SPEC		
1 PLC ± -		APPLICATION SPEC		
2 PLC ± -		SIZE		
3 PLC ± .010		CAGE CODE		
4 PLC ± -		DRAWING NO		
ANGLES ± 1'		RESTRICTED TO		
MATERIAL H14 ALUMINUM	FINISH SEE TABLE	WEIGHT -	A3 00779 C-41276	
CUSTOMER DRAWING		SCALE 4:1	SHEET 1 OF 1	REV M

## X-ON Electronics

Largest Supplier of Electrical and Electronic Components

*Click to view similar products for [Terminals](#) category:*

*Click to view products by [TE Connectivity](#) manufacturer:*

Other Similar products are found below :

[00-054007-01074-6](#) [00-054007-70206-1](#) [00-054007-70210-8](#) [00-054007-70217-7](#) [00-054007-70226-9](#) [00-054007-70228-3](#) [00-054007-70248-1](#) [00-054007-70256-6](#) [00-054007-70301-3](#) [00-054007-70316-7](#) [0-0320562-0](#) [00-054007-49560-4](#) [00-054007-70209-2](#) [00-054007-70225-2](#) [00-054007-70227-6](#) [00-054007-70231-3](#) [00-054007-70241-2](#) [00-054007-70242-9](#) [00-054007-70244-3](#) [00-054007-70246-7](#) [00-054007-70263-4](#) [00-054007-70288-7](#) [00-054007-70290-0](#) [00-054007-70300-6](#) [00-054007-70304-4](#) [01-2065-1-0216](#) [01-2900-1-04412](#) [00581P0075](#) [600TS-10](#) [60205-1](#) [604200-1](#) [605601-1](#) [60598-1-CUT-TAPE](#) [61314-6-C](#) [61810-3](#) [61-S](#) [61-SN](#) [626-0194](#) [62-NBM-A](#) [62-SN](#) [62-SP](#) [63-S](#) [640179-1](#) [M55155/059I03](#) [M55155/079C01](#) [M55155/099H02](#) [M55155/109H01](#) [M55155/109H02](#) [M55155/12XH05](#) [M55155/16XH02](#)