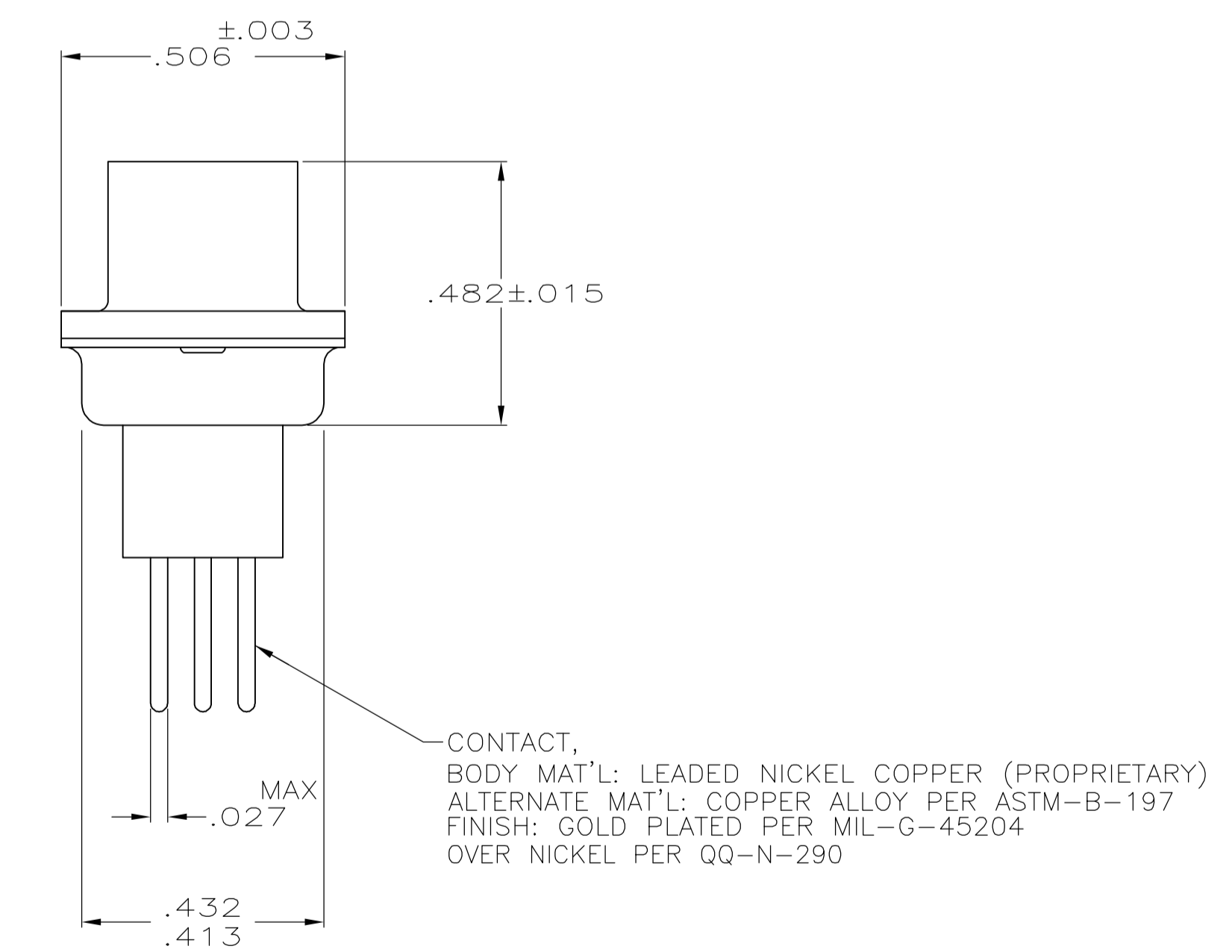
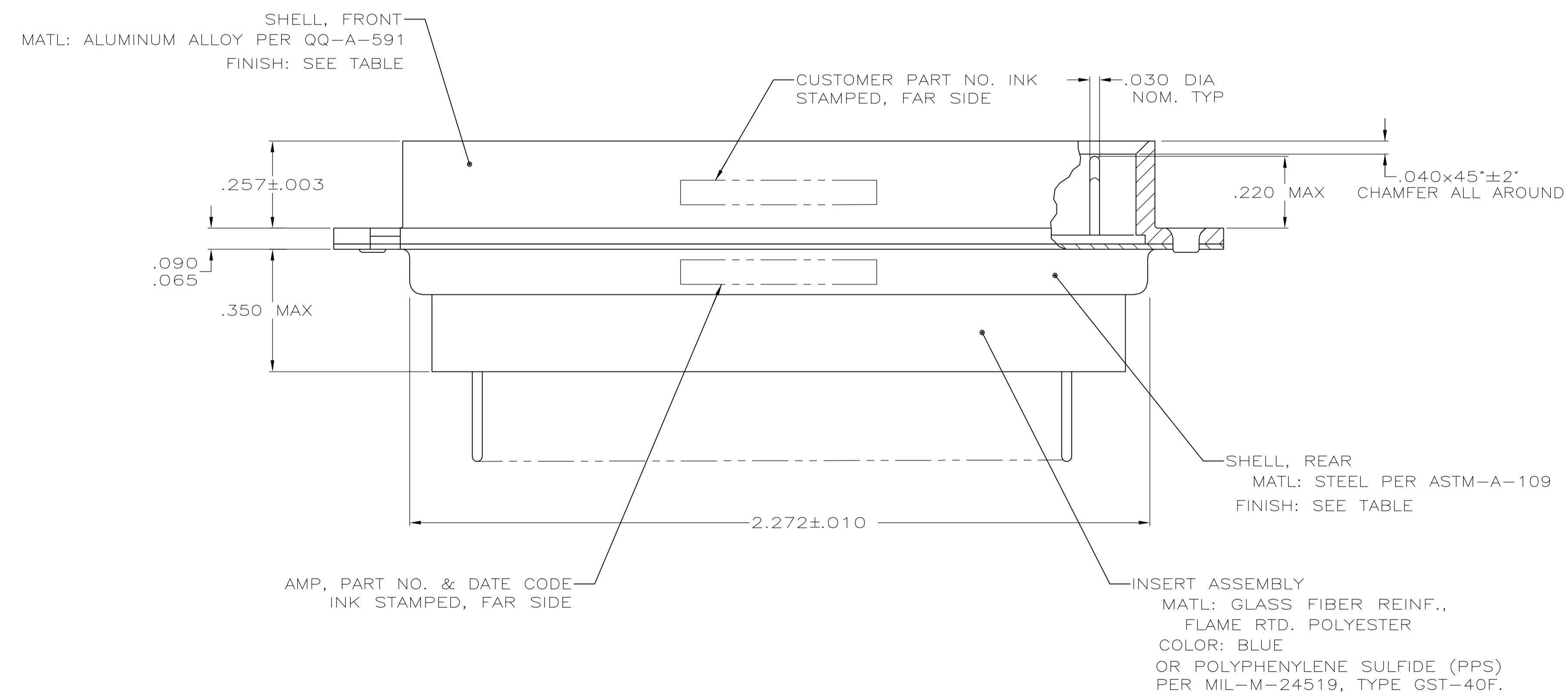
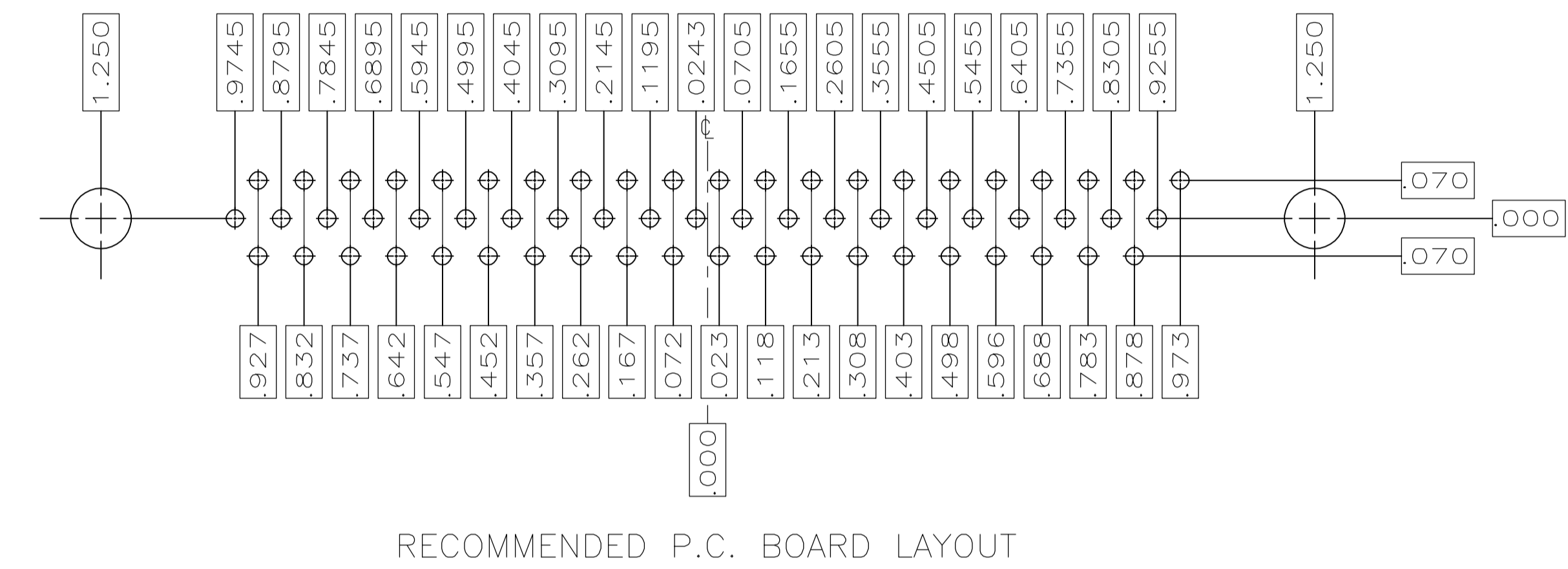
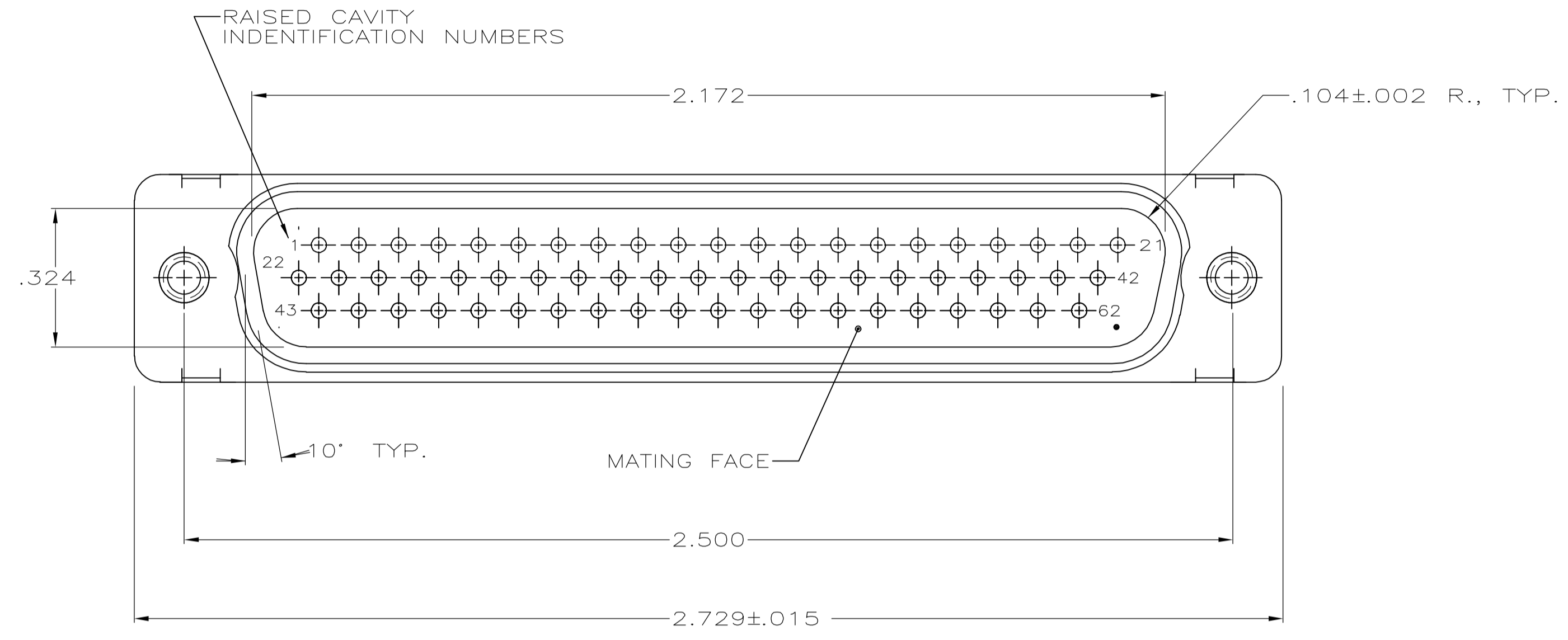


1. THIS PLUG WILL MATE WITH ANY 62 POSN., SIZE 4 RECEPTACLE IN AMPLIMITE SERIES.
2. STAINLESS STEEL RETENTION CLIPS ARE INCLUDED IN INSERT ASSEMBLY.
3. THIS CONNECTOR ACCEPTS SIZE 22 PIN CONTACTS.
4. FINISH: CADMIUM PER QQ-P-416; YELLOW CHROMATE.
5. FINISH: ZINC PLATED PER ASTM-B-633 .000200 MIN THK WITH SUPPLEMENTARY CHROMATE (Cr3+).



5	5-445089-1
4	445089-1
FINISH	PART NO.

THIS DRAWING IS A CONTROLLED DOCUMENT.

DW: S. GLATFELTER 12-7-87	AMP Tyco Electronics Corporation Harrisburg, PA 17105-3608
CHK: F.C. BALLEW 12-11-87	
APVD: F. BALLEW 12-11-87	NAME: PLUG ASSEMBLY BLINDMATE AMPLIMITE 62 POSN., SIZE 4, SERIES 90
TOLERANCES UNLESS OTHERWISE SPECIFIED:	APPLICATION SPEC
0 PLC ± -	
1 PLC ± -	
2 PLC ± -	
3 PLC ± .005	
4 PLC ± -	
ANGLES ± 0.30°	
MATERIAL SEE CALLOUTS	FINISH -
SIZE: A1	CAGE CODE: 00779
WEIGHT: -	DRAWING NO: 445089
CUSTOMER DRAWING	RESTRICTED TO: -
SCALE: 4:1	SHEET 1 OF 1
	REV: E

X-ON Electronics

Largest Supplier of Electrical and Electronic Components

Click to view similar products for [RF Connectors / Coaxial Connectors](#) category:

Click to view products by [TE Connectivity](#) manufacturer:

Other Similar products are found below :

[R125315120](#) [8915-1511-000](#) [89674-0827](#) [5916-1103-603](#) [6-0001-3](#) [6001-7071-019](#) [6002-7051-003](#) [6002-7551-202](#) [6059674-1](#) [619550-1](#)
[630059-000](#) [M39012/25-0021](#) [M39012/79-3008](#) [M39030/3-01N](#) [M39030/3-03N](#) [M3933/25-36N](#) [6500-7071-046](#) [M83723/72W24576](#)
[M83723/72W2457N](#) [6769](#) [CX050L2AQ](#) [7002-1541-010](#) [7002-1572-002](#) [7003-1572-002](#) [7010-1511-000](#) [7029-1511-060](#) [7101-1541-010](#)
[7101-1571-002](#) [7105-1521-002](#) [7145-1521-002](#) [7209-1511-011](#) [7210-1511-015](#) [7210-1511-019](#) [7225-1512-050](#) [7242-1511-000](#) [73137-5015](#)
[73251-0111](#) [73251-0672](#) [7325-1512-000](#) [73276-1501](#) [73366-0013](#) [73404-2300](#) [73413-6080](#) [73415-5721](#) [7405-1521-005](#) [7405-1521-802](#)
[7406-1521-005](#) [804S01D04M040](#) [8145-1521-002](#) [81590](#)