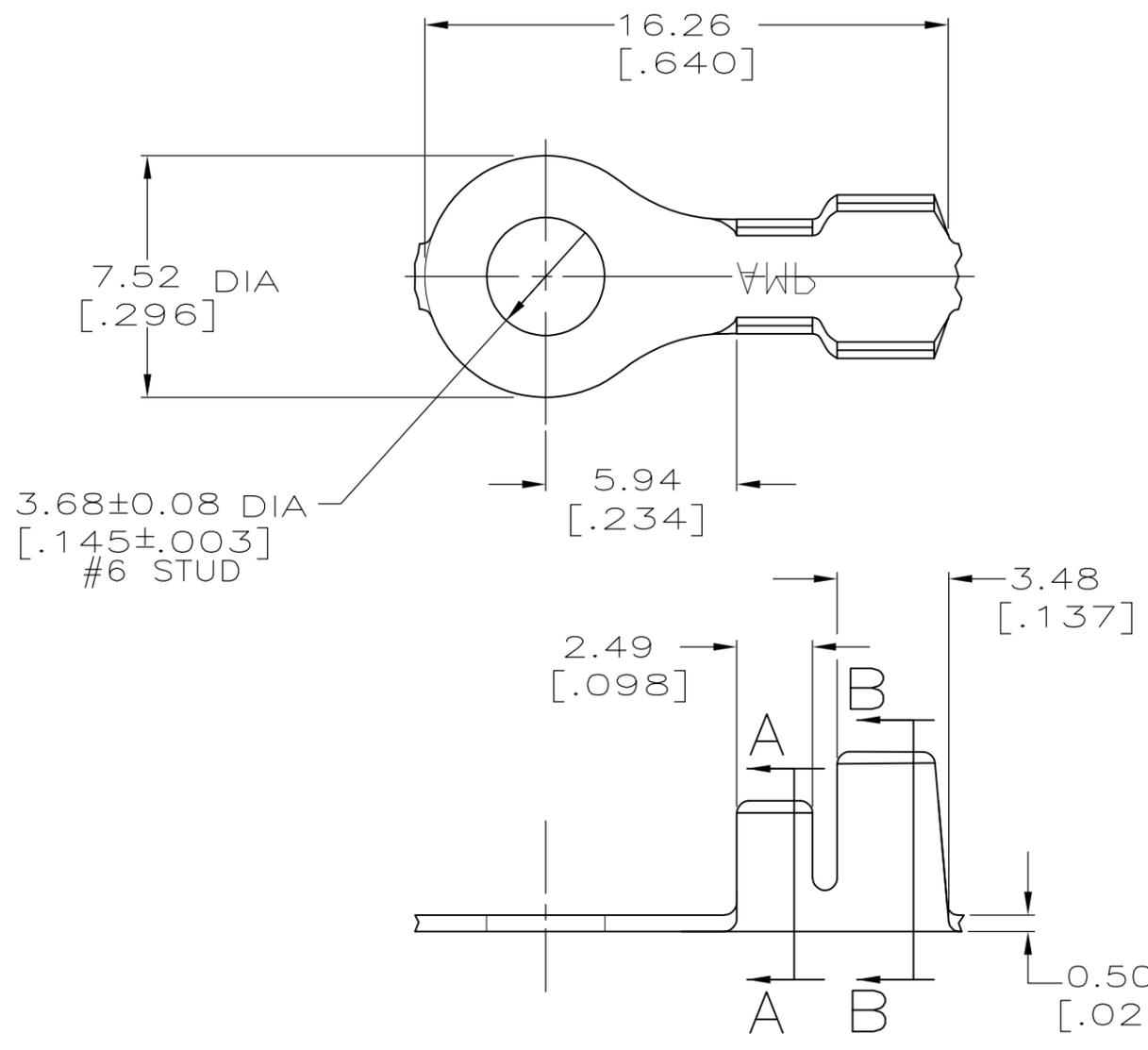
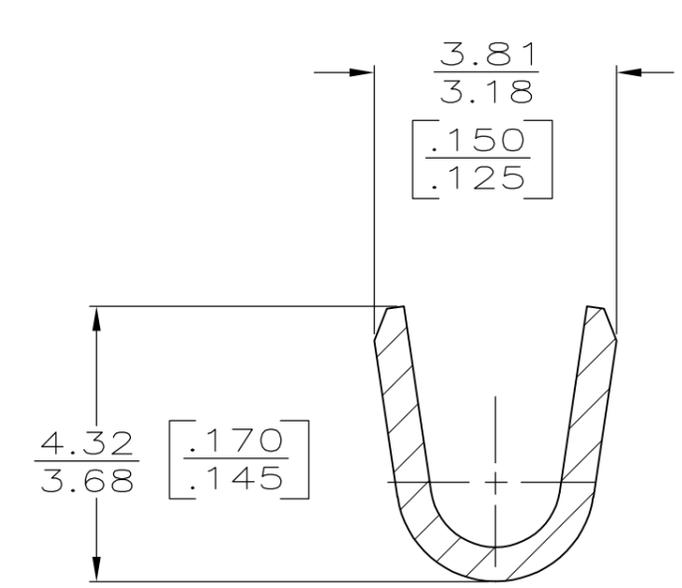


THIS DRAWING IS UNPUBLISHED. RELEASED FOR PUBLICATION
 © COPYRIGHT BY TYCO ELECTRONICS CORPORATION. ALL INTERNATIONAL RIGHTS RESERVED.

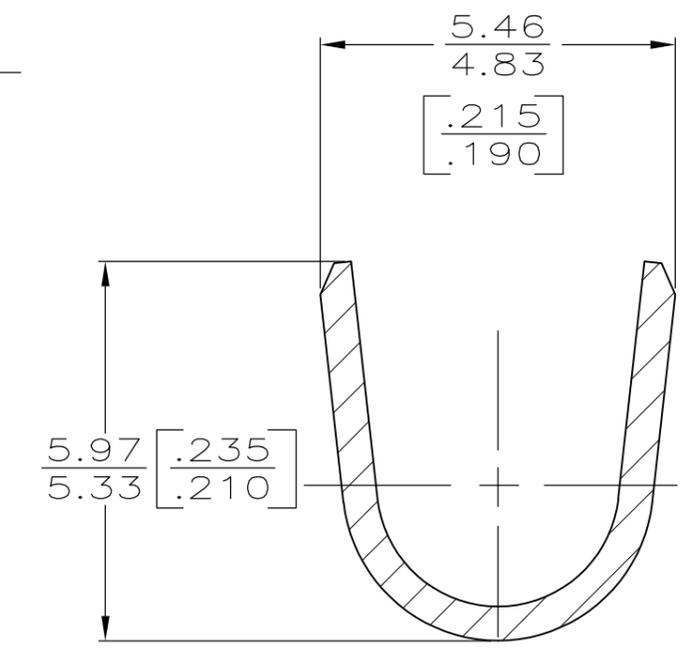
| | | | | | | | |
|-----|------|-----------|-----|---------------------------|---------|-----|------|
| LOC | DIST | REVISIONS | | | | | |
| AF | 50 | P | LTR | DESCRIPTION | DATE | DWN | APVD |
| | | P | | REVISED PER ECR-08-007819 | 19NOV08 | HMR | DD |



1 CONTINUOUS STRIP ON REEL.
 2 PRELIMINARY - NOT FOR PRODUCTION.



SECTION A-A
 SCALE 10:1



SECTION B-B
 SCALE 10:1

| | | | |
|-------------|------------------------------|--------------------------|-----------|
| - | 3.05-4.32 DIA [.120-.170] | 0.8-2.0mm [18-14] AWG | 2 41330-1 |
| TIN PLATING | 3.05-4.32 DIA [.120-.170] | 0.8-2.0mm [18-14] AWG | 41330 |
| FINISH | INSULATION RANGE | WIRE RANGE | PART NO |

| | | | | | | |
|-----------------------|----------------|----------------------------------|----------------------|----------------|-------------------------|------------|
| F OR O | 4.57 [.180] | 4.06 [.160] | F | 3.05 [.120] | 2.03[.080] | 2.0mm²[14] |
| | | | | | 1.83[.072] | 1.3mm²[16] |
| | | | | | 1.70[.067] | 0.8mm²[18] |
| TYPE | WIDTH | STRIP LENGTH ±0.38 [±.015] | TYPE | WIDTH | ±0.051[±.002] HEIGHT | WIRE |
| INSUL BARREL CRIMP | | | WIRE BARREL CRIMP | | | |

THIS DRAWING IS A CONTROLLED DOCUMENT.
 DIMENSIONS: mm [INCHES]
 TOLERANCES UNLESS OTHERWISE SPECIFIED:
 0 PLC ± -
 1 PLC ± -
 2 PLC ± 0.25 [.010]
 3 PLC ± -
 4 PLC ± -
 ANGLES ± -
 MATERIAL: 082 BRASS
 FINISH: SEE TABLE

DWN P FORTNEY 7/22/91
 CHK MS FEHER 8/8/91
 APVD G YETTER 8/12/91
 Tyco Electronics
 Tyco Electronics Corporation
 Harrisburg, PA 17105-3608
 RING
 SIZE A3 CAGE CODE 00779 DRAWING NO C-41330 RESTRICTED TO -
 CUSTOMER DRAWING SCALE 5:1 SHEET 1 OF 1 REV P

X-ON Electronics

Largest Supplier of Electrical and Electronic Components

Click to view similar products for [Terminals](#) category:

Click to view products by [TE Connectivity](#) manufacturer:

Other Similar products are found below :

[00-054007-01074-6](#) [00-054007-70206-1](#) [00-054007-70210-8](#) [00-054007-70217-7](#) [00-054007-70226-9](#) [00-054007-70228-3](#) [00-054007-70248-1](#) [00-054007-70256-6](#) [00-054007-70301-3](#) [00-054007-70316-7](#) [0-0320562-0](#) [00-054007-49560-4](#) [00-054007-70209-2](#) [00-054007-70225-2](#) [00-054007-70227-6](#) [00-054007-70231-3](#) [00-054007-70241-2](#) [00-054007-70242-9](#) [00-054007-70244-3](#) [00-054007-70246-7](#) [00-054007-70263-4](#) [00-054007-70288-7](#) [00-054007-70290-0](#) [00-054007-70300-6](#) [00-054007-70304-4](#) [01-2065-1-0216](#) [01-2900-1-04412](#) [00581P0075](#) [600TS-10](#) [60205-1](#) [604200-1](#) [605601-1](#) [60598-1-CUT-TAPE](#) [61314-6-C](#) [61810-3](#) [61-S](#) [61-SN](#) [626-0194](#) [62-NBM-A](#) [62-SN](#) [62-SP](#) [63-S](#) [640179-1](#) [M55155/059I03](#) [M55155/079C01](#) [M55155/099H02](#) [M55155/109H01](#) [M55155/109H02](#) [M55155/12XH05](#) [M55155/16XH02](#)